

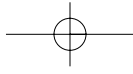
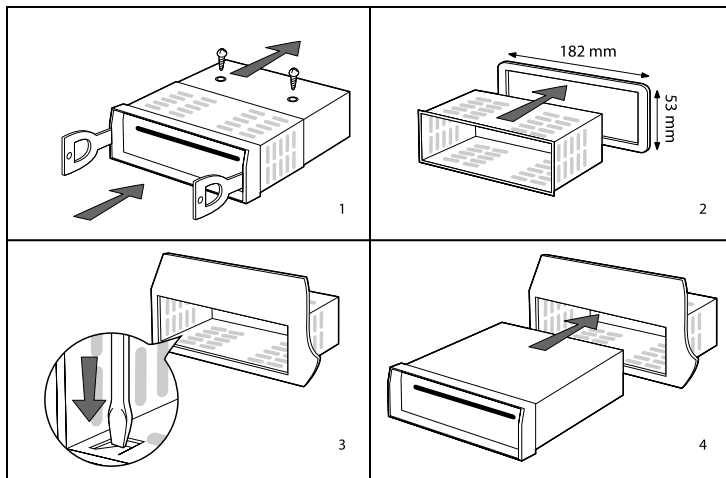
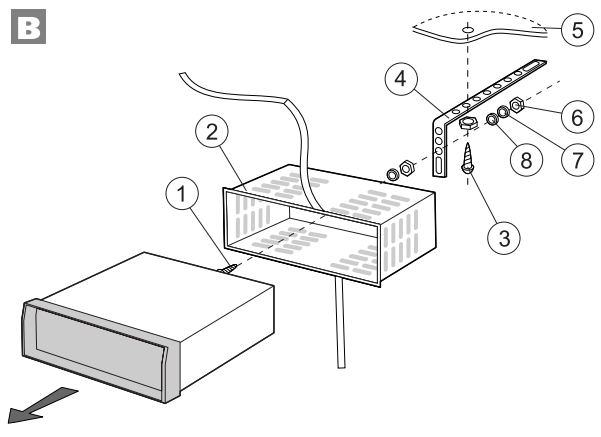
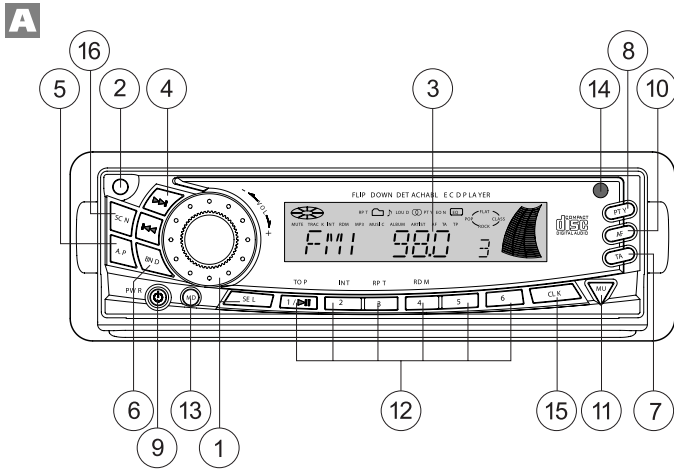
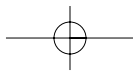
Vitek

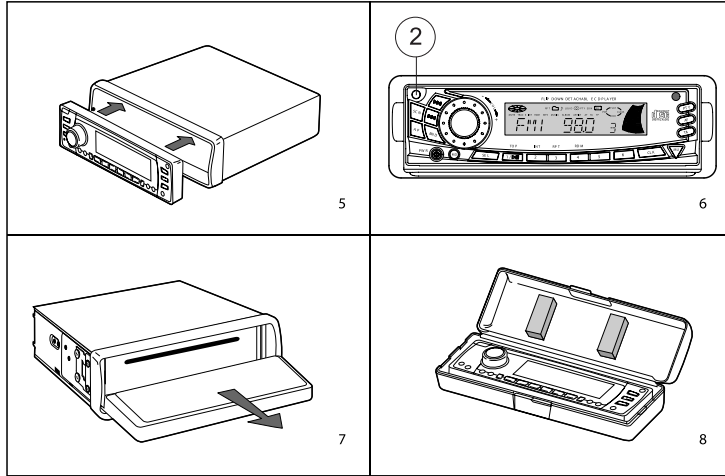
Car Audio CD/MP3 player MODEL VT-3623



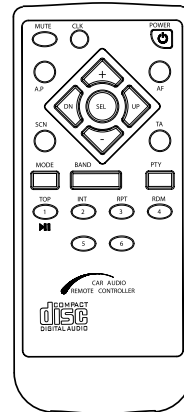
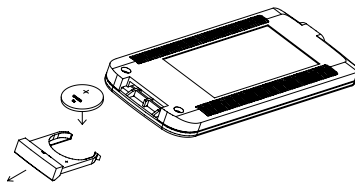
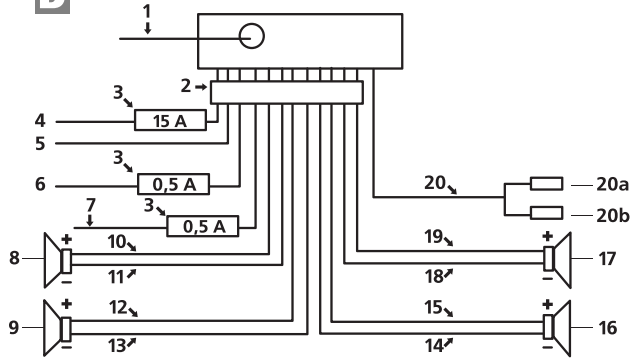
MANUAL INSTRUCTION

GB MANUAL INSTRUCTION	4
DE DIE BETRIEBSANWEISUNG	9
RUS ИНСТРУКЦИЯ ПО ЭКСПЛУАТАЦИИ	15
UA ІНСТРУКЦІЯ З ЕКСПЛУАТАЦІЇ	21





D



ENGLISH

CAR AUDIO CD/MP3 PLAYER WITH DIGITAL RADIO RECEIVER Model VT-3623

ABOUT THIS DEVICE

This device has a range of complicated features that provide improved signal reception quality and device operation. All of these features are designed to be operated easily, but may require some additional explanation.

These operating instructions are meant to help you get the most use out of this player's possibilities and increase your listening pleasure.

We recommend becoming acquainted with these features and how they work by carefully reading these instructions before using the device. It is especially important that you read and follow the "precautions": contained on the next page and in other sections.

Note:

- A. In addition to regular CD discs, this player can read CD-R and CD-R/W discs that contain audio tracks; although, depending on the condition of the recording device used to record the program or the CD-R and CD-R/W discs themselves, some CD-R and CD-R/W discs cannot be played.
- B. When recording music onto CD-R and CD-R/W discs, very high recording speeds can lead to poor quality sound signals. This is why we recommend you choose a recording speed of 24x or less to record onto CD-R discs and a speed of 4x or less to record onto CD-R/W discs.

LOCATION AND FUNCTIONS OF OPERATING CONTROLS

1. Multi-functional switch for adjusting the volume level and navigating the settings menu ("VOL / SEL / ENTER")

- 1). Repeatedly press the "SEL" button to choose the desired sound parameter: VOLUME, BASS, TREBLE, BALANCE and FADER and then rotate the "VOL" knob to change the selected sound parameter.
- 2). Press and hold the "SEL" button for more than 1 second to activate the MENU mode; TA SEEK (traffic announcement search)/TA ALARM (warning) will appear on the screen; then press the "SEL" button repeatedly to choose the following modes: MASK DPI/MASK ALL (cancel processing of alternative frequencies/cancel all), DSP OFF (deactivate the audio processor)/POP M /ROCK M/CLASS M/FLAT M, LOUD ON /LOUD OFF (tone compensation), ESP12/ESP45 (anti-shock function), BEEP ON/BEEP OFF (audible signal), SEEK1/SEEK2,

STEREO/MONO, LOCAL/DX, VOL LAST/VOL ADJ (default volume level). (When the VOL ADJUST mode is active, the next mode in the menu will be A-VOL, after which you can set the volume level). After choosing the desired menu mode, rotate the VOL knob to set the desired parameters for the chosen feature.

3). TRACK SEARCH FEATURE in MP3 mode:

- A. Press the "A.P" button once to choose the "TRACK SEARCH" feature; the TRK SCH indicator will appear on the display.
- B. Press the "SEL" button to enter the TRACK mode; 001 will appear on the display and the first symbol will start to blink. Then, rotate the VOL knob to change the number from 0 to 9. (Press the SEL button for more than 0.5 seconds to play the selected track)
- C. Press the "SEL" button to make the tenths-place digit blink and then rotate the VOL knob to change the number from 0 to 9. (Press the SEL button for more than 0.5 seconds to play the selected track)
- D. Press the "SEL" button to make the hundredths-place digit blink and then rotate the VOL knob to change the number from 0 to 9.
- E. Press the SEL button to play the selected track. (If the selected number is greater than the number of tracks on the MP3 disc, then the last track on the disc will be played).

4). FILE SEARCH FEATURE in MP3 mode:

- A. Press the "A.P" button quickly two times to choose the FILE SEARCH feature; FILE SCH will appear on the display.
- B. Press the "SEL" button once quickly to choose and display the first folder. Then, rotate the VOL knob to view the folder choices forward and reverse.
 - Press and hold the "SEL" button for more than 0.5 seconds to play back the first track of the selected folder.
- C. Press the "SEL" button once quickly to choose and display the first track in the chosen folder. Then, rotate the "VOL" knob to view the track choices in the folder forward and reverse.
- D. Press the "SEL" button once quickly to playback the selected track.

5). CHARACTER SEARCH FEATURE in MP3 mode:

- A. Press the "A.P" button quickly three times to choose the CHARACTER SEARCH FEATURE. The CHAR SCH symbol will appear on the display.
- B. Press the "SEL" button once quickly to confirm the CHARACTER SEARCH mode; the letter "A" will appear on the screen.
- C. To choose the letter "A," press the "SEL" button.
- D. Rotate the "VOL" knob to change the letter and

ENGLISH

- press "SEL" again to confirm the chosen letter.
- E. After the first letter is chosen, the next letter in the name appears starting with "A".
 - F. Repeat steps B through D to confirm the second letter.
 - G. Enter the remaining letters in the same manner.

Note:

- 1) When pressing the "SEL" button to confirm a letter, if the "SEL" button is pressed for more than 0.5 seconds, playback will begin of the song that begins with the chosen letter (letters).
- 2) You can choose the number 0-9 and the " * " symbol using the VOL knob.

2. FRONT PANEL OPENING BUTTON

Press button 2 opens the front panel and you can then insert a disc into the CD player or press the EJ button to eject a disc from the player, or remove the front panel.

3. LCD (LIQUID CRYSTAL DISPLAY)

4. UP (UP) AND DOWN (DN) BUTTONS

- 1) While in RADIO mode, press the ►► and ◄◄ buttons repeatedly to manually tune to the desired station. Press and hold the ►► and ◄◄ buttons for more than 0.5 to auto-tune to the next radio station with a high signal level.
- 2) In CD mode, press the ►► button to playback the next track. Press the ◄◄ button once to playback the current track from the beginning; press the ◄◄ button twice quickly to playback the previous track. Press and hold the ►► and ◄◄ buttons to skip forward and back.

5. AUTO SAVE / SCAN BUTTON

- 1) In radio mode, press the "A.P" button hear all of the radio stations saved in memory for 5 seconds; the station number and frequency will blink on the screen. If you press and hold this button for more than 2 seconds, then all stations in the current band will be found and saved into the memory slots. When the auto-save operation has completed, each saved station will be played for 5 seconds. To stop scanning of found stations, press one of the station memory (1-6) buttons to choose a radio station.
- 2) In MP3 mode, press the "A.P" button repeatedly to choose between search modes: TRACK SEARCH, FILE SEARCH, or CHARACTER SEARCH.

6. RADIO BAND

Press the BAND ("BND") button repeatedly in RADIO mode to choose the desired frequency band.

7. TA (TRAFFIC ANNOUNCEMENT) BUTTON

Press the "TA" (TRAFFIC ANNOUNCEMENT) button to turn the "TA" mode on or off.

When the "TA" mode is on (the TA symbol appears on the display), the radio begins search for "TA" stations the "TA" symbol will appear on the display for a certain period of time.

When a traffic announcement is broadcasted:

- 1) If the radio is in CD playback mode, it temporarily switches to radio mode.
- 2) The radio temporarily switches to the station that is broadcasting traffic information; the "TP" symbol will appear on the display.
- 3) If the volume level is less than 20, then it will be increased to 20 and return to the previous mode and volume level after the traffic announcement has finished. If the volume is adjusted during the traffic announcement, then the previous volume level will still be set.

"TA" interrupt function:

Pressing this button cancels the current traffic announcement, but "TA" mode will remain on.

8. PROGRAM TYPE BUTTON

Quickly and repeatedly press the PROGRAM TYPE ("PTY") button to choose one of the following modes:

MUSIC (PTY MUSIC) - - SPEECH (PTY SPEECH) - - OFF (PTY OFF)

Program type selection is achieved using the presets button, as described in step 12 (STATION PRESETS BUTTONS). Quickly and repeatedly press one of the 6 presets buttons to choose the PROGRAM TYPE.

When the music or speech program type has been selected, the display will show the previously set program type. If new parameters are not entered within 2 seconds, then a search is conducted of earlier selected program types. If the desired program type is not found within after one search cycle, then the "NO PTY" symbol will blink on the screen and the radio will return to normal operating mode.

9. POWER ON BUTTON

Press any button, except the EJECT and OPEN buttons, to turn on the device's power; to turn off the device, press and hold the "PWR" button for more than 0.5 seconds. (After connecting the device to power (ACC POWER) for the first time, during the first 3 seconds, the device can only be turned on)

10. AF (ALTERNATIVE FREQUENCIES) BUTTON

When pressed quickly, the "AF" mode is activated and the "AF" symbol appears on the display. Indicator off: AF mode off.

Indicator on: AF mode on and has radio-data information (RDS).

ENGLISH

Indicator is blinking: AF (mode is on, but no RDS information has been received yet). When "AF" mode is activated, the radio constantly verifies the signal strengths on alternate frequencies of the current radio station. The verification interval, depending on the signal strength of the current station, can be from several for strong stations to several seconds for weak ones. Each time the signal strength on an alternate station is stronger than the signal of the current station, the radio switch to that station for a very short period of time; the NEW FREQUENCY symbol will appear on the display for 1-2 seconds. Remember that the station switching time is very short and is hardly noticeable during normal radio listening.

In FM mode, when the "AF" function is active, the SEEK, SCAN and AUTO-MEMORY function may receive and save only RDS programs. When pressed for a long time, the AF mode changes to REGION CODE ON/OFF mode.

REGIONAL MODE ON:

"AF" mode or PROGRAM IDENTIFIER SEARCH (PI SEEK) begins for radio stations whose PI codes are the same as the current station's. (The PI codes are checked during "AF" CHECK)

REGIONAL MODE OFF:

Regional codes in PI format are ignored in "AF" mode or PI SEEK mode. (PI code and COVER-AGE AREA is not checked during "AF" search)

11. MUTE BUTTON ("MU")

Press this button to quickly turn off and on the sound.

You can also use the following buttons to turn on the sound: "MODE", "BAND", "VOL", "LOUD", and "SEL".

12. STATION PRESETS BUTTONS [1-6] and UP/(TOP/CDP) BUTTON, INTRODUCTION ("INT"), REPEAT ("RPT"), RANDOM PLAYBACK ("RDM").

(A). RADIO MODE

Pressing these buttons quickly recalls a previously saved station.

When pressed for more than one second, the current station's frequency is saved to that button's memory.

Upon choosing the program type mode (PTY), the preset buttons are used in the following manner: Music ---Speech---Off

Music

1. Pop, rock
2. light music
3. classical, other mus.
4. jazz, country

5. national, old
6. folklore

Speech

1. News, events, information
 2. Sport, education, drama
 3. Culture, science, other
 4. Weather, finances, children
 5. Society, religion, live call-in shows
 6. Travel, leisure, documentaries
- B) In CD/MP3 player mode, press the "TOP/CDP" button to pause playback; press it again to resume. Hold this button down for 0.5 seconds to playback the first track on the disc.
- C) In CD/MP3 player mode, press the INT button to playback the first 10 seconds of each track; press it again to stop INT mode playback and play the current track in its entirety.
- D) In CD/MP3 player mode, press the REPEAT ("RPT") button to repeat playback of the current track. Press it again to cancel the current mode.
- E) In CD/MP3 player mode, press the RANDOM PLAYBACK ("RDM") button to play all tracks in random order. Press this button again to cancel this mode.
- F) In MP3 playback mode, buttons M5 and M6 skip 10 tracks forward/back during normal playback.

13. MODE BUTTON

Press to choose the sound source: Radio or CD/MP3 player.

14. REMOTE CONTROL UNIT SENSOR

15. CLOCK BUTTON ("CLK")

1) RADIO MODE

When RDS data is being received, quickly and repeatedly press this button to display the following information in order:

Station name PS ---> FREQUENCY ---> CLOCK
---> Program type PTY --->

When radio-data information is not being received, quickly and repeatedly press this button to display the following information in order: FREQUENCY ---> CLOCK ---> Program type PTY --->

2) CD/MP3 PLAYER MODE

Quickly press this button to display the time for 5 seconds, then the display returns to the previous information displayed until this button is pressed again.

3) SETTING THE TIME

In clock mode, press and hold this button for more than 1 second. Then, when the time begins to blink, press the + and - buttons to set the hours and minutes.

16. SCAN BUTTON ("SCN")

Press to scan the frequency band. When a radio

ENGLISH

station with a stable signal is found, the current frequency will blink for 5 seconds; press the button again to stop scanning and listen to the current station, other wise the device will continue scanning every 5 seconds.

INSTALLATION

INSTALLING THE UNIT IN YOUR AUTOMOBILE (FIG. B)

1. The device
2. Guide rails
3. Front panel
4. Hex bolt
5. Lock-nut
6. Flat disc
7. Car body
8. Bracket
9. Securing screws
10. M5 hex bolts X 15

CONNECTING THE SPEAKERS (FIG. D)

1. ANTENNA JACK
2. ISO JACK
3. FUSES
4. MEMORY B+ (YELLOW)
5. BLACK (GROUND“-”)
6. RED (B+)
7. BLUE ANTENNA POWER
8. FRONT LEFT SPEAKER
9. LEFT REAR SPEAKER
10. WHITE
11. WHITE/BLACK
12. GREEN
13. GREEN/BLACK
14. VIOLET/BLACK
15. VIOLET
16. RIGHT REAR SPEAKER
17. FRONT RIGHT SPEAKER
18. GRAY/BLACK
19. GREY
20. LINE AUDIO OUT JACK (RCA)
- 20a. RED - RIGHT
- 20b. WHITE - LEFT

NOTE:

1. Only use speakers with 4 ohms of resistance.
2. Do not allow the antenna power wire to touch metal elements of the vehicle or the rear panel of the player.

INSTALLATION EXAMPLE (FIG. 1,2,3,4)

Installing in a dashboard

1. Remove the screws and clips.
3. CLIP. Break off these clips if necessary.
Note: Store the key in a reliable place, as you may need to remove the device from the car in the future.

SAFETY MEASURES AND CARE

1. If it is very hot in the vehicle (after standing in the sun, for example), turn on the player only after the vehicle has been driven for a while and the salon has cooled down.
2. Use the supplied plastic case to store the front

panel.

3. The device is designed for use in vehicles in which the negative pole of the battery is connected to the chassis of the vehicle. Verify this before installation.
4. Make sure that the speaker wires are not shorted-out before turning on the device. Otherwise an overload could occur that might damage the amplifier.
5. Do not attach the removable panel until the unit has been fully installed.

Removal and installation of the front panel

The front panel of this device can be removed in order to avoid theft.

REMOVING THE FRONT PANEL

Before removing the deck's front panel, turn off the power by pressing button (1) POWER ON/OFF ("PWR").

Press the panel release button 14 to remove the front panel ("REL"), pull the panel towards yourself.

See the figure (5,6,7,8).

Notes:

- Do not press too hard when installing the panel. It freely snaps into place with light pressure.
- When taking the panel with you, place it in the supplied case.
- Do not press hard on the LCD screen when connecting the front panel to the main unit.

DISC PLAYBACK:

Cleaning discs

Before playing a disc, wipe it with a clean, lint-free cloth. Wipe the disc in the direction of the arrows.

ATTENTION:

- Do not use solutions like gasoline and solvents. Cleaning products and anti-static cleaners may damage the device.
- Do not insert the disc label down. This can damage the device.

NOTE:

- Do not insert another disc while there is already one in the player. This can damage the player.
- Hold the disc by its edges. To keep the disc clean, do not touch either of its surfaces.
- Do not stick paper or film to discs.
- Do not expose discs to the effects of direct sunlight or high temperatures. Do not leave discs in the car when parked in direct sunlight.

REPLACING THE BATTERY IN THE REMOTE CONTROL UNIT:

1. Slide off the battery cover in the direction indicated.
2. Replace the old battery with a new one, positive (+) side up.
3. Replace the battery cover.

NOTE REGARDING THE BATTERY IN THE REMOTE CONTROL UNIT:

1. Incorrect use of the battery can lead to over-

ENGLISH

- heating or explosion and cause injury or fire.
- Battery leaks can damage the remote control unit (Battery life: 6 months when used in the usual manner and under normal temperature conditions).
 - Do not short-circuit the battery's poles.
 - Do not dispose of the battery in an open flame.
 - To avoid accidents, store the battery out of the reach of children.

LOCATION AND USE OF OPERATING CONTROLS (ONLY ON THE REMOTE CONTROL UNIT)

Remote control unit	Front panel
MUTEMU
POWERPWR
MODEMD
BANDBND
+/-VOL+/-
UP	▶▶
DN	◀◀

FIXING MALFUNCTIONS

In order to fix the problem, read the following recommendations. If the problem persists, contact your nearest service center.

No power

The vehicle's ignition is not on
If the device is correctly connected to the vehicle's power system, set the ignition switch to "ACC"

The fuse is blown

Replace the fuse

Disc won't load

There is already a disc in the player
Remove the disc from the player and then insert a new one

Disc cannot be read

The disc is not loaded correctly
Insert the disc label-up

The disc is dirty or scratched
Clean the disc or insert a new one

It is too hot in the car
Cool the salon down to normal room temperature

No sound

The volume is set too low
Set the volume to the desired level

The speaker wires are not connected properly
Check the speaker wire connections

Buttons don't work

The built-in microcomputer is not functioning properly due to static electricity.

Press the RESET button

The front panel is not installed correctly
Install the front panel correctly

The disc skips during playback

The installation angle is greater than 30°
Adjust the installation angle of the player

The disc is dirty or scratched
Clean the disc / Insert a new one

The radio doesn't work, auto-tuning does not work

The antenna cable is not connected.
The signal is too weak
Connect the antenna cable firmly
Try to manually tune the desired station

CHARACTERISTICS

GENERAL

Power supply 13.8 V Direct Current.
Current use 5 A maximum.
Output power 4 X 40W.

FM

Frequency band 66 MHz – 108 MHz
Sensitivity 3 uV.
I.F. Frequency 10.7 MHz.

AM

Frequency band 522 KHz – 1620 KHz
I.F. Frequency 450 KHz
Sensitivity 40 dB

LINE – OUT

Out CD MAX 1200 mv

CD PLAYER

System: compact disc audio system
Supported discs CD/CD-R/CD-RW/MP3
Signal Format frequency of 44.1KHz.
Frequency band 10-20 KHz < 5dB.
CD Signal level 50 dB [1KHz]
Number of channels: 2 stereo.
Chassis dimensions:
178[Width] X 50[Height] X 165[Length].

Due to constant upgrading, the characteristics and design of this product may be changed without prior notification.

SERVICE LIFE OF THE UNIT NOT LESS 5 YEARS

GUARANTEE

Details regarding guarantee conditions can be obtained from the dealer from whom the appliance was purchased. The bill of sale or receipt must be produced when making any claim under the terms of this guarantee.



This product conforms to the EMC-Requirements as laid down by the Council Directive 89/336/EEC and to the Low Voltage Regulation (23/73 EEC)

DEUTSCH

CD/MP3-AUTORADIO MIT DIGITALEM RADIOEMPFÄNGER MODELL VT-3623

ÜBER DIESE ANLEITUNG

Dieses Gerät hat eine Reihe komplizierter Funktionen, die eine verbesserte Qualität des Empfangs und der Arbeit des Gerätes gewähren. Sie sind auf eine einfache Handhabung orientiert, können jedoch einige zusätzliche Erläuterungen erfordern. Diese Anleitung ist dazu bestimmt, um Ihnen zu helfen den maximalen Nutzen aus den Möglichkeiten dieses CD/MP3-Spielers zu ziehen und Ihnen mehr Freude beim Abhören zu schenken. Wir empfehlen Ihnen sich mit den Funktionen und deren Arbeit bekannt zu machen und vor dem Gebrauch des Gerätes aufmerksam die Anleitung zu lesen. Es ist besonders wichtig, dass Sie die „Vorsichtsmaßnahmen“ lesen und einhalten, die auf der nächsten Seite und in anderen Abschnitten angeführt sind.

Anmerkung:

- A. Zusätzlich zu gewöhnlichen CDs kann dieses Gerät CD-R- und CD-R/W-Träger wiedergeben, die Audioaufnahmen enthalten; es kann jedoch sein, dass in Abhängigkeit mit dem Zustand der Aufnahmegeräte, der Aufnahmeprogramme oder des CD-R- und CD-R/W-Rohlings einige der CD-Rs oder CD-R/Ws nicht wiedergegeben werden können.
- B. Bei Musikaufnahmen auf CD-Rs oder CD-R/Ws kann eine zu hohe Aufnahmegeschwindigkeit zu einer schlechten Qualität des Tonsignals führen, deshalb wird es empfohlen die Geschwindigkeit 24x oder weniger für die CD-R-Aufnahme, und die Geschwindigkeit 4x oder weniger für CD-R/W-Aufnahmen zu wählen.

ANORDNUNG UND FUNKTIONEN DER STEUERUNGSTASTEN

1. Mehrzweckschalter zum Regeln der Lautstärke und für die Navigation im Einstellungsmenu des Gerätes ("VOL / SEL / ENTER")
 - 1). Pressen Sie aufeinander folgend die Taste "SEL" für die Wahl des gewünschten Klangwertes: VOLUME(Lautstärke), BASS (Bass), TREBLE(Höhen), BALANCE (Kanalbalance) und FADER (Signalpegel), und drehen Sie danach den Griff "VOL" (Lautstärke), um den gewählten Klangwert zu ändern.
 - 2). Pressen und halten Sie über 1 Sekunde lang die Taste "SEL" (Wahl), um den Menubetrieb (MENU) einzuschalten, auf dem

Flüssigkristalldisplay erscheint TA SEEK (Verkehrsfunksuche)/TA ALARM (Warnung), pressen Sie danach aufeinander folgend die Taste "SEL", um die Betriebsart zu wählen: MASK DPI/MASK ALL (die Bearbeitung der Alternativfrequenzen widerrufen/alles widerrufen), DSP OFF(Audio-Pozessor aus)/POP M /ROCK M/CLASS M/FLAT M (Pop, Rock, klassische Musik, neutrale Musik), LOUD ON /LOUD OFF (Tonausgleich an/aus), ESP12/ESP45 (Vibrationsschutzfunktion), BEEP ON/BEEP OFF (Tonsignal an/aus), SEEK1/SEEK2 (Suche1/Suche2), STEREO/MONO (Stereo/Mono), LOCAL/DX (lokales/entferntes Radiosignal), VOL LAST/VOL ADJ (voreingestellter Lautstärkenpegel). (Wenn der Betrieb der Lautstärkenregelung eingeschaltet ist (VOL ADJUST), wird die nächste Betriebsart A-VOL sein, danach können Sie die Lautstärke einstellen). Nach der Wahl des gewünschten Menubetriebs (MENU) drehen Sie die Lautstärkentaste VOL, um die Betriebsart des gewünschten Wertes zu wählen.

3). TITELSUCHFUNKTION im MP3-Betrieb:

- A. Pressen Sie einmal die Taste "A.P", um die Betriebsart der Titelsuche "TRACK SEARCH" zu wählen, auf dem LCD-Display erscheint der Indikator TRK SCH.
- B. Pressen Sie die Taste "SEL", um den Titelbetrieb (TRACK) einzugeben, auf dem Display erscheint 001 und das erste Symbol beginnt zu blinken. Drehen Sie danach die Lautstärkentaste VOL, um die Ziffern von 0 bis 9 zu wählen. (Pressen Sie nach dem Beenden die Taste SEL für mehr als 0.5 Sekunden, um die Wiedergabe des gewählten Titels zu beginnen)
- C. Pressen Sie die Taste "SEL", damit die zehnstelligen Ziffern zu blinken beginnen, danach drehen Sie den Lautstärkengriff VOL, um die Ziffern von 0 bis 9 zu wählen. (Pressen Sie nach dem Beenden die Taste "SEL" für mehr als 0.5 Sekunden, um die Wiedergabe des gewählten Titels zu beginnen)
- D. Pressen Sie die Taste "SEL", damit die hundertstelligen Ziffern zu blinken beginnen, und drehen Sie danach den Lautstärkengriff VOL, um die Ziffern von 0 bis 9 zu wählen.
- E. Pressen Sie die Taste SEL für die Wiedergabe des gewählten Titels. (Wenn die Nummer des gewählten Titels größer ist, als die letzte Titelnummer auf dem MP3-Disc, wird der letzte Titel auf dem MP3-Disc wiedergegeben).

4). FILESUCHBETRIEB im MP3-Modus:

- A. Pressen Sie schnell zweimal die Taste "A.P" um die Betriebsart FILESUICHE (FILE SEARCH) zu wählen, auf dem Display erscheint FILE SCH.
- B. Pressen Sie einmal schnell die Taste "SEL", um

DEUTSCH

die erste Directory zu wählen und sie anzuzeigen.

Drehen Sie danach den Lautstärkengriff "VOL" für die schrittweise Wahl der Directory nach vorne oder zurück.

Pressen Sie die Taste "SEL" und halten Sie sie über 0.5 Sekunden gepresst, um die Wiedergabe des ersten Titels aus der gewählten Directory zu beginnen.

- C. Pressen Sie einmal schnell die Taste "SE" L, um den ersten Titel zu wählen und ihn auf die Anzeige zu bringen. Drehen Sie danach den Lautstärkengriff "VOL", für die schrittweise Wahl des Titels in der Directory nach vorne und zurück.
- D. Pressen Sie einmal schnell die Taste "SEL", um die Wiedergabe des gewählten Titels zu beginnen.

5.) Betriebsart TITELSUCHE NACH NAME im MP3-Betrieb:

- A. Pressen Sie schnell die Taste "A.P" dreimal, um die Betriebsart TITELSUCHE NACH NAME einzustellen. Auf dem Display erscheint CHAR SCH.
- B. Pressen Sie einmal schnell die Taste "SEL", um die Betriebsart TITELSUCHE NACH NAME zu bestätigen; auf dem Display erscheint das Symbol "A".
- C. Um das Symbol "A" zu wählen, pressen Sie die Taste "SEL".
- D. Um das Symbol "A" zu ändern, drehen Sie den Griff "VOL", um einen anderen Buchstaben zu wählen, und pressen Sie "SEL" noch einmal, um das gewählte Symbol zu bestätigen.
- E. Beim bestätigen des ersten Symbols beginnt die Eingabe des zweiten Symbols von "A".
- F. Wiederholen Sie die Schritte von B bis D, um das zweite Symbol zu bestätigen.
- G. Geben Sie die restlichen Symbole nach denselben Regeln ein.

ANMERKUNG:

- 1) Beim Pressen der Taste "SEL" zur Bestätigung des Symbols, wenn die Taste "SEL" länger als 0.5 Sekunden gepresst wird, beginnt die Wiedergabe des Titels, dessen Name mit den gewählten Symbolen beginnt.
- 2) Es können 0-9 und das Symbol "*" mit dem Lautstärkengriff VOL gewählt werden.

2. ÖFFNERTASTE

Beim Pressen der Taste 2 wird das Fronttafel nach vorne geklappt, und Sie die CD in das CD-Fach eingeben, oder die Taste EJ pressen, um die CD aus dem CD-Spieler zu nehmen, oder um die Fronttafel abzunehmen.

3. LCD (FLÜSSIGKRISTALLDISPLAY)

4. TASTEN AUF (UP) UND AB (DN)

- 1) Pressen Sie im Radiobetrieb RADIO nacheinander schnell die Taste ► oder ◄ für die manuelle schrittweise Abstimmung des gewünschten Senders. Pressen und halten Sie die Taste ► oder ◄ über 0.5 Sekunden lang, um die automatische Sendereinstellung mit hohem Signalpegel zu starten.
- 2) Im CD-Wiedergabebetrieb (CD) pressen Sie die Taste ► für die Wiedergabe des nächsten Titels. Pressen Sie einmal die Taste ◄ für die Wiedergabe des nächsten Titels vom Anfang an, pressen Sie die Taste ◄ für die Wiedergabe des letzten Titels. Pressen und halten Sie die Taste ► oder ◄, um die Titel nach vorne oder rückwärts auszulassen.

5. TASTE AUTO-SPEICHERUNG/ ABTASTEN

- 1) Pressen Sie im Radiobetrieb die Taste "A.P", um alle Radiosender, die in den Speicher eingetragenen wurden, je 5 Sekunden lang anzuhören, auf de LCD-Display wird die Sendernummer und die Bandbreite angezeigt. Wenn Sie diese Taste länger als 2 Sekunden gepresst halten, werden alle Sender im aktuellen Bandbereich gefunden und in den Speicherzellen gespeichert. Wenn die Auto-Speicheroperation beendet ist, wird automatisch jeder der gespeicherten Sender je 5 Sekunden lang gespielt. Um die Abtastung der gefundenen Sender zu stoppen, pressen Sie die Ziffertasten 1-6, um den Sender zu wählen.
- 2) Pressen Sie im MP3-Betrieb abwechselnd die Taste "A.P" für die Wahl des Titelsuchbetriebs (TRACK SEARCH), des Filesuchbetriebs (FILE SEARCH), oder der TITELSUCHE NACH NAME (CHARACTER SEARCH).

6. RADIO-BANDBEREICH (BAND)

Pressen Sie nacheinander die Taste BAND-BEREICH ("BND") in der Betriebsart RADIO, um de gewünschten Bandbereich zu wählen.

7. VERKEHRSFUNKTASTE (TA [TRAFFIC ANNOUNCEMENT])

Durch Pressen der Taste VERKEHRSFUNK ("TA") wird die "TA"-Funktion ein- oder ausgeschaltet.

Wenn der "TA"-Betrieb eingeschaltet ist (auf de Display wird TA angezeigt), beginnt er die "TA"-Sendersuche und auf dem Display wird für einige Zeit das Symbol "TA" angezeigt.

Wenn Verkehrsfunk gesendet wird:

- 1). Wenn das Gerät im CD-Wiedergabebetrieb eingeschaltet ist, wird es sich vorläufig auf den Radiobetrieb umschalten.
- 2). Es wird sich vorläufig auf den Verkehrsfunksender umschalten, auf dem Display wird "TP" angezeigt.
- 3). Wenn der Lautstärkepegel unter 20 liegt, wird

DEUTSCH

er bis auf 20 gehoben und wird wieder in die Ausgangslautstärke wechseln, wenn die Verkehrsfunkansage zu Ende ist. Wenn die Lautstärke während des Verkehrsfunks eingestellt wird, wird die vorangegangene Lautstärke eingestellt.

- **Abbrechfunktion der "TA"-Funktion:**

Das Pressen dieser Taste bricht die laufende Verkehrsfunkansage ab, der "TA"-Betrieb wird dabei jedoch nicht abgestellt.

8. TASTE PROGRAMMTYP PTY (PROGRAM TYPE)

Pressen Sie nacheinander schnell die Taste PROGRAMMTYP ("PTY") für die Wahl von einer der Betriebsarten:

Programmtyp MUSIK (PTY MUSIC) - -
 Programmtyp SPECHSENDUNG (PTY SPEECH)-
 - Programmtyp AUS (PTY OFF)

Die Wahl des Programmtyps erfolgt mit den Voreingabetasten, wie es im Punkt 12 beschrieben wird (VOREIGABETASTEN). Pressen Sie nacheinander eine der 6 Voreingabetasten, um den PROGRAMMTYP zu wählen.

Wenn der Programmtyp Musik oder der Programmtyp Sprechsendung eingestellt ist, erscheint auf dem Display die vorangegangene Einstellung des Programmtyps. Wenn innerhalb von 2 Sekunden keine neuen Einstellungen eingegeben wurden, wird die Suche nach dem vorher eingegebenen Programm durchgeführt. Wenn innerhalb von einem Abtastzyklus von allen Programmen der gewünschte Programmtyp nicht gefunden wird, wird auf dem Display die Aufschrift ("NO PTY") blinken und das Radio schaltet in den gewöhnlichen Radiobetrieb um.

9. TASTE EINSCHALTEN DER SPEISUNG

Zum Einschalten des Gerätes pressen Sie eine beliebige Taste, außer der Taste CD-AUSGABE (EJECT) und ABNAHME DER FRONTTAFEL (OPEN), pressen und halten Sie die Taste EINSCHALTEN DER SPEISUNG ("PWR") für mehr als 0,5 Sekunden, um das Gerät auszuschalten. (Nach dem Anschluss des Gerätes an das Stromnetz (ACC POWER) zum ersten Mal kann innerhalb von 3 Sekunden das Gerät nur eingeschaltet werden)

10. TASTE ALTERNATIVFREQUENZEN AF [ALTERNATIVE FREQUENCIES]

Beim kurzen Pressen wird der "AF"-Betrieb gewählt und auf dem Display erscheint der Indikator "AF".

Indikator aus: AF-Funktion an.

Indikator an: AF-Funktion an, Radiodatensendung vorhanden (RDS).

Indikator blinkt: AF (Funktion an, es wird jedoch noch keine RDS-Info empfangen). Bei der Wahl des "AF"-Betriebs überprüft das Radio ständig den Signalpegel auf den Alternativfrequenzen des aktuellen Radiosenders. Der Zeitabstand der Abtastung hängt vom Signalpegel dieses Senders ab, von einigen Minuten für starke Sender bis zu einigen Sekunden für schwache Sender. Jedes Mal, wenn das Signal auf der Alternativfrequenz stärker als das Signal des laufenden Senders ist, schaltet sich das Radio in kürzester Zeit auf diese Frequenz um, auf dem Display wird innerhalb von 1-2 Sekunden NEUE FREQUENZ (NEW FREQUENCY) angezeigt. Da die Umschaltdauer sehr kurz ist, ist es kaum zu hören sein. Im FM-Betrieb, wenn die "AF"-Funktion an ist, können die Funktionen SUCHE (SEEK), ABTASTUNG (SCAN), AUTOMATISCHE SPEICHERUNG (AUTO-MEMORY) nur RDS-Programme empfangen und speichern. Beim langen Pressen schaltet der AF-Betrieb in die Betriebsart EINSCHALTEN/AUSCHALTEN DES REGIONALCODES (REGION CODE ON/OFF) um.

Regionalbetrieb an: REGIONAL MODE ON: "AF"-Betrieb oder PROGRAMMIDENTIFIKATOR-SUCHE (PI SEEK) kann bei Sendern angewendet werden, die die gleichen PI-Codes haben, wie der aktuelle Sender. (Der PI-Code wird während der "AF"-PRÜFUNG (CHECK) geprüft)

Regionalbetrieb aus: REGIONAL MODE OFF: Der Regionalcode im PI-Code-Format wird im "AF"-Betrieb oder SUCHE PI ignoriert. (Der PI-Code und der Abdeckungsbereich (COVERAGE AREA) werden während der "AF"-Suche nicht überprüft)

11. Stummstelltaste ("MU")

Pressen Sie diese Taste, um den Klang schnell einzuschalten und wieder einzuschalten. Zum Einschalten des Klanges können auch die Tasten BETRIEBSART ("MODE"), BANDBEREICH ("BAND"), LAUTSTÄRKE ("VOL"), TONAUSGLEICH ("LOUD"), WAHL ("SEL") bedient werden.

12. TASTE FÜR DIE VOREINSTELLUNG DER SENDER [1-6] und TASTEN AUF/ (TOP/CDP), INTRO ("INT"), WIEDERHOLUNG ("RPT"), ZUFÄLLIGE TITELWAHL ("RDM").

(A). RADIOBETRIEB

Beim kurzen Pressen stellen diese Tasten den voreingestellten Sender ein.

Wenn Sie länger als eine Sekunde pressen, wird die Frequenz des aktuellen Senders in dieser

DEUTSCH

Speicherzelle gespeichert.
Bei der Wahl der Betriebsart Programmtyp PTY, werden die Speichertasten wie folgt angeordnet:
Programmtyp Musik---Programmtyp Sprechsender---Abgeschaltet

Programmtyp Musik

1. Pop, Rock
2. Leichte Musik
3. Klassik, andere Mus..
4. Jazz, Country
5. Nationalmusik, alte Mus.
6. Volksmusik

Programmtyp Sprechsender

1. Nachrichten, Events, Information
2. Sport, Bildung, Drama
3. Kultur, Wissenschaft, Diverse
4. Wetter, Finanzen, Kinder
5. Gesellschaft, Religion, Anrufe Der Radiohörer Live
6. Reisen, Freizeit, Dokumentalistik

- B) Im CD/MP3-Betrieb pressen Sie die Taste "TOP/CDP", um die Wiedergabe anzuhalten, damit die Wiedergabe fortgeführt wird, pressen Sie sie ein zweites Mal. Halten Sie sie 0.5 Sekunden lang gepresst, damit der erste Titel wiedergegeben wird.
- C) Pressen Sie im CD/MP3-Betrieb die Taste INT, damit jeder Titel je 10 Sekunden lang wiedergegeben wird, pressen Sie sie ein weiteres Mal, um diese Betriebsart abzustellen und um den gewählten Titel wiederzugeben.
- D) Pressen Sie im CD/MP3-Betrieb die Taste WIEDERHOLUNG ("RPT") für die wiederholte Wiedergabe des laufenden Titels. Pressen Sie sie noch einmal, um die aktuelle Betriebsart abzustellen.
- E) Pressen Sie im CD/MP3-Betrieb die Taste ZUFÄLLIGE WAHL ("RDM") für die Wiedergabe der Titel in einer zufälligen Reihenfolge. Pressen Sie sie noch einmal, um diese Betriebsart abzustellen.
- F) In der Betriebsart der MP3-Disc-Wiedergabe haben die Tasten M5 und M6 die Wechselfunktion von Titel 10 nach vorne/zurück bei gewöhnlicher Wiedergabe.

13. Taste Betriebsart (MODE)

Pressen Sie sie, um die Tonquelle zu wählen: Radio oder CD/MP3-Spieler.

14. FERNBEDIENUNGSENSOR

15. TASTE UHR ("CLK")

1) RADIOBETRIEB

Wenn Radiodaten (RDS) empfangen werden, pressen Sie nacheinander schnell die Taste der

aufeinander folgenden Anzeige der unterstehenden Punkte:
Sendername PS ---> Frequenz FREQUENCY ---> Uhr CLOCK ---> Programmtyp PTY --->
Wenn die Radiodaten nicht empfangen werden, pressen Sie diese Taste schnell nacheinander, damit die folgenden Punkte auf dem Display aufeinander folgend angezeigt werden:
Frequenz FREQUENCY ---> Uhr CLOCK ---> Programmtyp PTY --->

2) CD/MP3-SPIELER-BETRIEB

Pressen Sie diese Taste kurz, damit innerhalb von 5 Sekunden auf dem Display die Uhrzeit angezeigt wird, danach wechselt das Display zur vorangegangenen Betriebsart um, die vor dem Pressen der Taste eingestellt war.

3) EINSTELLEN DER UHRZEIT

Pressen und halten Sie sie über eine Sekunde lang. Wenn die Uhrenanzeige zu blinken beginnt, pressen Sie die Tasten + oder -, um die Stunden oder die Minuten einzustellen.

16. Taste ABTASTUNG ("SCN")

Pressen Sie sie für die Abtastung des Radiobandbereiches. Wenn ein Sender mit stabilem Signal empfangen wird, kann ihre laufende Frequenz innerhalb von 5 Sekunden aufleuchten, pressen Sie diese Taste, um die Abtastung zu stoppen und die laufende Frequenz zu speichern, sonst wird das Gerät in 5 Sekunden die Antastung wieder fortsetzen und zum nächsten Sender schalten.

VORSICHTSMASSNAHMEN UND PFLEGE

1. Wenn es im Fahrzeug zu heiß ist (z.B., wenn es in der Sonne geparkt ist), sollten Sie das Autoradio nur dann einschalten, wenn das Auto etwas gefahren wurde und der Innenraum sich etwas abgekühlt hat.
2. Benutzen Sie zum Aufbewahren der Fronttafel das Plastiketui.
3. Das Gerät ist für einen Elektroleitungstyp projektiert worden, bei dem der negative Pol der Batterie an das Fahrzeuggestell angeschlossen wird. Überprüfen Sie das vor dem Einbau.
4. Achten Sie darauf, dass die Lautsprecherdrähte beim Einschalten des Gerätes nicht kurzschließen. Anderenfalls erfolgt eine Überbelastung, die den Verstärker außer Betrieb setzen kann.
5. Setzen Sie die Fronttafel nicht ein, bevor Sie den Einbau beendet haben.

EINBAU

EINBAUEN DES AUTORADIOS INS AUTO

1. Gerät
6. Flache Scheibe

DEUTSCH

- | | |
|-------------------------|----------------------------------|
| 2. Führungsbahn | 7. Fahrzeugaufbau |
| 3. Fronttafel des Autos | 8. Konsole |
| 4. Sechskantmutter | 9. Fixierschraube |
| 5. Gegenmutter | 10. Sechskantschraube
M5 X 15 |

Installationsbeispiel

Einbau in die Gerätertafel (Abb. 1,2,3,4)

1. Drehen Sie die Schrauben und die Klammer ab
3. KLEMME. Falls es notwendig sein sollte, biegen Sie diese Klemmen ab.

Anmerkung: Bewahren Sie den Schlüssel an einem sicheren Platz auf, da Sie ihn in der Zukunft brauchen könnten, um das Gerät aus dem Auto auszubauen.

WIEDERGABE VON CDs/MP3s:

Reinigung der CDs

Wischen Sie die CD vor der Wiedergabe mit einem sauberen Tuch ohne Faserdecke an. Wischen Sie die CD in Pfeilrichtung ab.

ACHTUNG:

- Verwenden Sie keine Mittel wie Benzin oder Lösungsmittel. Die im Handel erhältlichen Reinigungsmittel und Antistatikmittel können das Gerät beschädigen.
- Legen Sie die CD nicht mit dem Etikett nach unten ein. Dadurch kann das Gerät beschädigt werden.

ACHTUNG:

- Legen Sie keine andere CD ein, wenn sich im Gerät bereits eine CD befindet. Dadurch kann das Gerät beschädigt werden.
- Fassen Sie die CD an den Kanten an. Fassen Sie die Oberflächen nicht an, damit die CD sauber bleibt.

Kleben Sie kein Papier oder Folie auf die CD. Schützen Sie die CD vor direkter Sonneneinstrahlung oder der Einwirkung von hohen Temperaturen. Lassen Sie keine CDs im Auto liegen, wenn es unter direkter Sonneneinstrahlung geparkt ist.

LAUTSPRECHERANSCHLUSS (Abb. D)

1. ANTENNEBÜCHSE
2. ISO SCHNITTSTELLE
3. SICHERUNGEN
4. SPEICHER B+ (GELB)
5. SCHWARZ (ERDUNG "-")
6. ROT (B+)
7. BLAU ANTENNESPEISUNG
8. LAUTSPRECHER VORNE LINKS
9. LAUTSPRECHER HINTEN LINKS
10. WEISS
11. WEISS/SCHWARZ
12. GRÜN
13. GRÜN/SCHWARZ
14. VIOLETT/SCHWARZ

15. VIOLETT
16. LAUTSPRECHER HINTEN RECHTS
17. LAUTSPRECHER VORNE RECHTS
18. GRAU/SCHWARZ
19. GRAU
20. BÜCHSE DES AUDIO-LINEARAUSGANGS
«TULPE» RCA LINE-OUT
- 20a. ROT RECHTS
- 20b. WEISS LINKS

ANMERKUNG:

1. Es müssen Lautsprecher mit einem Widerstand von 4 Ohm verwendet werden.
2. Lassen Sie das Kabel der Antennenspeisung nicht mit den Metallelementen des Fahrzeuggestells oder des Gerätes in Kontakt kommen.

Behebung von Störungen

Um ein Problem zu beseitigen, sollten Sie die Empfehlungen bezüglich der Fehlerbehebung beachten. Wenn sich das Problem trotzdem nicht lösen lässt, wenden Sie sich bitte an ein Service-Center in Ihrer Nähe.

ANORDNUNG UND FUNKTIONEN DER STEUERUNGSTASTEN (NUR AUF DEM FERNBEDIENUNGSTEIL)

FERNBEDIENUNGSTEIL FRONTTAFEL

Klangaus MUTEMU
Speisung POWER . . .PWR
Betriebsart MODE . .MD
Bandbereich BAND . .BND
+/- Lautstärke VOL+/-
Auf UP
Ab DN

AUSWECHSELN DER SPEISELEMENTE AUF DEM FERNBEDIENUNGSTEIL:

1. Nehmen Sie den Batteriehalter in Pfeilrichtung raus.
2. Wechseln Sie die alte Batterie aus und legen Sie eine neue Batterie mit dem (+)-Pol nach oben ein.
3. Setzen Sie den Batteriehalter zurück in die Fernbedienung ein.

ANMERKUNG ZUR BATTERIE DES FERNBEDIENUNGSTEILS:

1. Eine inkorrekte Abwendung der Batterie kann zu einer Überhitzung oder einer Explosion führen und dadurch Wunden oder Feuerbrand zeugen.
2. Ein Auslaufen der Batterie kann die Fernbedienung beschädigen (Haltbarkeitsdauer einer Batterie: 6 Monate bei Normalgebrauch bei normaler Zimmertemperatur).
3. Schließen Sie die Pole der Batterie nicht kurz.
4. Werfen Sie die Batterie nicht ins Feuer.

DEUTSCH

5. Um Unfälle zu vermeiden, sollten Sie die Batterie an kindersicheren Orten aufbewahren.

KEINE SPEISUNG

Die Zündung des Autos ist nicht an. Wenn das Gerät korrekt an die an das Elekronetz des Autos angeschlossen wurde, stellen Sie den Zündschlüssel in die Position "ACC"

Sicherung ist durchgebrannt

Wechseln Sie die Sicherung aus

Die CD lässt sich nicht einlegen

Im CD-Spieler befindet sich eine andere CD. Nehmen Sie die CD aus dem CD-Spieler, legen Sie danach die neue CD ein

Die CD kann nicht abgelesen werden

Die CD wurde falsch eingelegt. Legen Sie die CD mit dem Etikett nach oben ein

Die CD ist sehr schmutzig oder defekt. Reinigen Sie die CD oder legen Sie eine neue ein

Eine sehr hohe Innentemperatur im Auto. Kühlen Sie den Innenraum etwas ab, bis sich die Normaltemperatur einstellt

Kein Klang

Es ist eine zu niedrige Lautstärke eingestellt worden. Stellen Sie die gewünschte Lautstärke ein

Die Drähte wurden an die Lautsprecher falsch angeschlossen. Überprüfen Sie den Anschluss der Drähte

Die Tasten funktionieren nicht

Die Fronttafel ist nicht richtig eingesetzt worden. Setzen Sie die Fronttafel korrekt ein

Die Wiedergabe wird unterbrochen

Der Einbauwinkel beträgt über 30 Grad. Regeln Sie den Einbauwinkel, damit er unter 30 Grad liegt

Die CD ist stark verschmutzt oder defekt. Reinigen Sie die CD/ legen Sie eine neue ein

Das Radio funktioniert nicht.

Die automatische Wahl der Sender funktioniert nicht

Das Antennenkabel ist nicht angeschlossen.

Zu schwache Signale

Fixieren Sie das Antennenkabel

Versuchen Sie die manuelle Abstimmung

KENNDATEN

ALLGEMEIN

Speisung: Direktstrom 13.8V.

Stromaufnahme max. 5 A

Ausgangsleistung 4 X 40W.

FM

Bandbereich 66 MHz – 108 MHz

Sensibilität 3 µV.

Frequenz I.F 10.7 MHz.

AM

Bandbereich 522 KHz – 1620 KHz

Frequenz I.F 450 KHz

Sensibilität 40 dB

Linearausgang (LINE – OUT)

Ausgang CD MAX 1200 mv

CD-Spieler

System : Audio-CD-System

Unterstützte Formate: CD/CD-R/CD-RW/MP3

Signalformat Frequenz 44.1KHz.

Bandbereich 0-20 KHz < 5dB.

Signalpegel CD 50 dB [1KHz]

Kanalanzahl 2 Stereo.

Chassisgröße:

178[Breite] X 50[Höhe] X 165[Länge].

Aufgrund einer ständigen Verbesserung können die Charakteristiken und das Design des Artikels ohne Vorbescheid geändert werden.

DIE LEBENSDAUER DES GERÄTES BETRÄGT NICHT WENIGER ALS 5 JAHRE

Gewährleistung

Ausführliche Bedingungen der Gewährleistung kann man beim Dealer, der diese Geräte verkauft hat, bekommen. Bei beliebiger Anspruchserhebung soll man während der Laufzeit der vorliegenden Gewährleistung den Check oder die Quittung über den Ankauf vorzulegen.

C E *Das vorliegende Produkt entspricht den Forderungen der elektromagnetischen Verträglichkeit, die in 89/336/EWG - Richtlinie des Rates und den Vorschriften 23/73/EWG über die Niederspannungsgeräte vorgesehen sind.*

РУССКИЙ

АВТОМОБИЛЬНЫЙ ПРОИГРЫВАТЕЛЬ CD/MP3 ДИСКОВ С ЦИФРОВЫМ РАДИОПРИЕМНИКОМ МОДЕЛЬ VT-3623

О ДАННОЙ ИНСТРУКЦИИ

Данное устройство имеет ряд сложных функций, обеспечивающих улучшенное качество приема и работы устройства. Все они рассчитаны на простоту в использовании, но могут требовать дополнительных пояснений.

Данное руководство по эксплуатации предназначено для того, чтобы помочь вам извлечь всю пользу из возможностей этого плеера и повысить Ваше удовольствие от прослушивания.

Мы рекомендуем Вам ознакомиться с функциями и их работой, и внимательно прочитать руководство перед началом использования устройства. Особенно важно, чтобы Вы прочитали и соблюдали «предосторожности», изложенные на следующей странице и в других разделах.

Примечание:

- A. В дополнение к обычному CD, данное устройство может воспроизводить диски CD-R и CD-R/W, на которых содержатся аудио треки; однако, в зависимости от состояния записывающего оборудования, записываемой программы или самого диска CD-R и CD-R/W, некоторые диски CD-R или CD-R/W могут не воспроизводиться.
- B. При записи музыкального CD на диске CD-R или CD-R/W, слишком высокая скорость записи может привести к плохому качеству звукового сигнала, поэтому рекомендуется выбирать скорость 24x или меньшую для записи CD-R, и скорость 4x или меньшую для записи CD-R/W.

РАСПОЛОЖЕНИЕ И ФУНКЦИИ КНОПОК УПРАВЛЕНИЯ

1. Многофункциональный переключатель для регулирования уровня громкости и навигации в меню настроек устройства ("VOL / SEL / ENTER")
- 1). Последовательно нажимайте кнопку "SEL" для выбора необходимого параметра звука: VOLUME(громкость), BASS (бас), TREBLE(верхние частоты), BALANCE (баланс Лев./Прав. каналов) и FADER (баланс Фронт./Тыл. динамиков), затем вращайте ручку "VOL" (громкость) для изменения выбранного параметра звука.
- 2).Нажмите и удерживайте более 1 секунды кнопку "SEL" (выбор) для включения режима

меню (MENU), на жидкокристаллическом дисплее появится TA SEEK (поиск объявления трафика)/TA ALARM (предупреждение), затем последовательно нажимайте кнопку "SEL" для выбора режимов: MASK DPI/MASK ALL (отменить обработку альтернативных частот/отменить все), DSP OFF(аудио процессор отключен)/POP M /ROCK M/CLASS M/FLAT M (поп, рок, классическая музыка, нейтральная музыка), LOUD ON /LOUD OFF (тон-компенсация включена/выключена), ESP12/ESP45 (функция защиты от вибрации), BEEP ON/BEEP OFF (звуковой сигнал включен/отключен), SEEK1/SEEK2 (поиск1/поиск2), STEREO/MONO (стерео/моно), LOCAL/DX (местный/дальний радиосигнал), VOL LAST/VOL ADJ (уровень громкости по умолчанию). (Когда включен режим настройки громкости (VOL ADJUST), следующий после него будет режим A-VOL, после этого вы можете настроить уровень громкости). После выбора нужного режима меню (MENU), вращайте кнопку громкости VOL для выбора режима выбранного параметра.

3).РЕЖИМ ПОИСКА ТРЕКА в режиме MP3:

- A. Нажмите один раз кнопку "A.P" для выбора режима поиска трека "TRACK SEARCH", на ЖК дисплее появятся индикатор TRK SCH.
- B. Нажмите кнопку "SEL" для ввода режима трека (TRACK), на экране появится 001 и первый символ будет мигать. Затем вращайте кнопку громкости VOL для изменения цифр от 0 до 9. (По окончании нажмите кнопку SEL на более чем 0.5 секунды для воспроизведения выбранного трека)
- C. Нажмите кнопку "SEL", чтобы замигали десятизначные цифры, затем вращайте ручку громкости VOL для изменения цифр от 0 до 9. (По окончании нажмите кнопку "SEL" на более чем 0.5 секунды для воспроизведения выбранного трека)
- D. Нажмите кнопку "SEL", чтобы замигали сотни, затем вращайте ручку громкости VOL для изменения цифр от 0 до 9.
- E. Нажмите кнопку SEL для воспроизведения выбранного трека. (Если номер выбранного трека больше, чем наибольший номер трека на диске MP3, то будет воспроизводиться последний трек на диске MP3).

4). РЕЖИМ ПОИСКА ФАЙЛА в режиме MP3:

- A. Дважды быстро нажмите кнопку "A.P" для выбора режима ПОИСКА ФАЙЛА (FILE SEARCH), на экране появится FILE SCH.
- B. Быстро один раз нажмите кнопку "SEL" для

РУССКИЙ

выбора и отображения первой папки. Затем вращайте ручку громкости "VOL" для пошагового выбора папки вперед или назад.

- Нажмите кнопку "SEL" и удерживайте ее более 0.5 секунды для воспроизведения первого трека выбранной папки.
- C. Быстро один раз нажмите кнопку "SEL" для выбора и показа первого трека выбранной папки. Затем вращайте ручку громкости "VOL" для пошагового выбора трека в папке вперед или назад.
- D. Быстро один раз нажмите кнопку "SEL" для воспроизведения выбранного трека.
- 5). Режим ПОИСКА ПО НАЗВАНИЮ в режиме MP3:
 - A. Быстро нажмите кнопку "A.P" три раза для выбора режима ПОИСКА ПО НАЗВАНИЮ. На дисплее появится CHAR SCH.
 - B. Быстро один раз нажмите кнопку "SEL" для подтверждения режима ПОИСКА ПО НАЗВАНИЮ и на экране появится первый символ "A".
 - C. Для выбора символа "A" нажмите кнопку "SEL".
 - D. Для смены символа "A", вращайте ручку "VOL" для выбора другой буквы и нажмите "SEL" еще раз для подтверждения выбранного символа.
 - E. При подтверждении первого символа ввод второго символа названия начнется с "A".
 - F. Повторите шаги с B до D для подтверждения второго символа.
 - G. Введите оставшиеся символы по тому же правилу.

ПРИМЕЧАНИЕ:

- 1) При нажатии кнопки "SEL" для подтверждения символа, если кнопка "SEL" нажимается дольше, чем 0.5 секунды, начнется воспроизведение песни, имя которой начинается на выбранный символ (символы).
- 2) Можно выбрать 0-9 и символ " * " с помощью ручки громкости VOL.

2. КНОПКА ОТКРЫВАНИЯ

Нажатие кнопки 2 откидывает переднюю панель, и вы можете вставить диск в отделение CD, или нажать кнопку EJ для извлечения диска из плеера, или снять переднюю панель.

3. LCD (ЖИДКОКРИСТАЛЛИЧЕСКИЙ ДИСПЛЕЙ)

4. КНОПКИ ВВЕРХ (UP) И ВНИЗ (DN)

- 1) В режиме РАДИО быстро последовательно нажимайте кнопку ► или ◄ для ручной пошаговой настройки нужной радиостанции.

Нажмите и удерживайте кнопку ◄ или ► более 0.5 секунды для автоматической настройки радиостанции с высоким уровнем сигнала.

- 2) В режиме воспроизведения компакт-дисков (CD), нажмите кнопку ► для воспроизведения следующего трека. Нажмите один раз кнопку ◄ для воспроизведения текущего трека с его начала, нажмите кнопку ◄ для воспроизведения последнего трека. Нажмите и удерживайте кнопку ◄ или ► для пропуска вперед или назад.

5. КНОПКА АВТОМАТИЧЕСКОГО СОХРАНЕНИЯ / СКАНИРОВАНИЯ

- 1) В режиме радио нажмите кнопку "A.P" для прослушивания всех радиостанций, занесенных в память, по 5 секунд, на ЖК-дисплее будут мигать номер станции и частота. Если удерживать эту кнопку нажатой более 2 секунд, то будут найдены все станции в текущем диапазоне и сохранены в ячейках памяти. Когда операция автоматического сохранения завершена, будет автоматически воспроизводиться каждая из найденных радиостанций в течение 5 секунд. Для остановки сканирования найденных станций нажимайте цифровые кнопки 1-6 для выбора радиостанции..
- 2) В режиме MP3 попеременно нажимайте кнопку "A.P" для выбора режима поиска трека (TRACK SEARCH), поиска файла (FILE SEARCH), или ПОИСКА ПО НАЗВАНИЮ (CHARACTER SEARCH).

6. РАДИО ДИАПАЗОН (BAND)

Последовательно нажимайте кнопку ДИАПАЗОН ("BND") в режиме РАДИО для выбора нужного диапазона частот.

7. КНОПКА ПРИЕМА ИНФОРМАЦИИ О ДОРОЖНОМ ДВИЖЕНИИ (ТРАФИКЕ) (ТА [TRAFFIC ANNOUNCEMENT])

Нажатие кнопки ИНФОРМАЦИИ О ДОРОЖНОМ ДВИЖЕНИИ ("ТА") включает или выключает режим "ТА".

Когда включен режим "ТА" (на дисплее показывается ТА), он начнет поиск станции "ТА" и на дисплее некоторое время будет высвечиваться символ "ТА".

Когда передается объявление о трафике:

- 1) Если устройство находится в режиме воспроизведения дисков CD, оно временно переключится в режим радио.
- 2) Временно переключится на станцию, передающую информацию о трафике, на дисплее будет показано "TR".

РУССКИЙ

- 3). Если уровень громкости ниже 20, то он будет поднят до 20, и вернется к предыдущему режиму и уровню громкости, когда объявление о трафике будет закончено. Если громкость настраивается во время объявления о трафике, то будет установлен предыдущий уровень громкости.

* функция прерывания функции "ТА":

Нажатие этой кнопки отменяет текущее объявление о трафике, но режим "ТА" не будет отключен.

8. КНОПКА ТИП ПРОГРАММЫ РТУ (PROGRAM TYPE)

Быстро и последовательно нажимайте кнопку ТИП ПРОГРАММЫ ("PTY") для выбора одного из следующих режимов:

Тип программы МУЗЫКА (PTY MUSIC) - - Тип программ РЕЧЬ (PTY SPEECH) - - Тип программы ВЫКЛ. (PTY OFF)

Выбор типа программы осуществляется кнопками предустановки, как описано в пункте 12 (КНОПКИ ПРЕДУСТАНОВОК).

Быстро и последовательно нажимайте одну из 6 кнопок предустановок для выбора ТИПА ПРОГРАММЫ.

Когда установлен Тип программы музыка или Тип программы речь, то на дисплее отображается предыдущие установки типа программ. Если в течение 2 секунд не были введены новые параметры, то ведется поиск ранее выбранного типа программы. Если в течение одного цикла сканирования всех программ нужный Тип программы не найден, на дисплее будет мигать ("NO PTY") и радио перейдет к обычному радио режиму.

9. КНОПКА ВКЛЮЧЕНИЯ ПИТАНИЯ

Для включения устройства нажмите любую кнопку, кроме кнопки ИЗВЛЕЧЕНИЕ ДИСКА (EJECT) и ОТСОЕДИНЕНИЯ ПАНЕЛИ (OPEN), нажмите и удерживайте кнопку ВКЛЮЧЕНИЕ ПИТАНИЯ ("PWR") более 0.5 секунды для отключения устройства. (После подключения устройства к сети (ACC POWER) первый раз в течение 3-х секунд можно только включить устройство)

10. КНОПКА АЛЬТЕРНАТИВНЫЕ ЧАСТОТЫ AF [ALTERNATIVE FREQUENCIES]

При быстром нажатии выбирается режим "AF" и на дисплее появляется индикатор "AF".

Индикатор выключен: режим AF выключен.

Индикатор включен: режим AF включен, и имеется информация радиоданных (RDS).

Индикатор мигает: AF (режим включен, но информация RDS еще не воспринимается).

При выборе режима "AF" радио все время проверяет уровень сигнала на

альтернативных частотах текущей радиостанции. Временной интервал проверки зависит от уровня сигнала данной станции, от нескольких минут для сильной станции до нескольких секунд для слабой. Каждый раз, когда сигнал на альтернативной частоте сильнее сигнала текущей станции, радио переключается на ту частоту за очень короткое время, на дисплее 1-2 секунды показывается НОВАЯ ЧАСТОТА (NEW FREQUENCY). Ввиду того, что время переключения очень короткое, при обычном прослушивании программы это почти не слышно.

В режиме FM, когда включена "AF", функции ПОИСКА (SEEK), СКАНИРОВАНИЯ (SCAN), АВТОМАТИЧЕСКОГО СОХРАНЕНИЯ (AUTO-MEMORY) могут принимать и сохранять только программы RDS.

При долгом нажатии, режим AF переходит в режим ВКЛЮЧЕНИЯ/ВЫКЛЮЧЕНИЯ КОДА РЕГИОНА (REGION CODE ON/OFF).

Региональный режим включен: REGIONAL MODE ON:

Режим "AF" или ПОИСК ИДЕНТИФИКАТОРА ПРОГРАММЫ (PI SEEK) применим к радиостанциям, у которых все коды PI такие же, как и у текущей станции. (Код PI проверяется во время ПРОВЕРКИ "AF" (CHECK))

Региональный режим отключен REGIONAL MODE OFF:

Региональный код в формате кода PI игнорируется в режиме "AF" или ПОИСКА PI. (Код PI и Зона Покрытия (COVERAGE AREA) не проверяются во время поиска "AF")

11. Кнопка Отключения Звука ("MU")

Нажмите кнопку для быстрого отключения или возобновления звука.

Для включения звука можно также нажать кнопки РЕЖИМ ("MODE"), ДИАПАЗОН ("BAND"), ГРОМКОСТЬ ("VOL"), ТОН-КОМПЕНСАЦИЯ ("LOUD"), ВЫБОР ("SEL").

12. КНОПКИ ПРЕДУСТАНОВКИ СТАНЦИЙ [1-6] и КНОПКИ ВВЕРХ/ (TOP/CDP), ОЗНАКОМЛЕНИЕ ("INT"), ПОВТОР ("RPT"), ПРОИЗВОЛЬНЫЙ ВЫБОР ("RDM").

(A). РЕЖИМ РАДИО

При быстром нажатии эти кнопки вызывают предустановленную радиостанцию.

При нажатии более чем на одну секунду, частота текущей станции сохраняется в данной ячейки памяти.

При выборе режима Тип программы РТУ, кнопки предустановленной памяти

РУССКИЙ

распределяются следующим образом:
Тип программы музыка---Тип программы
речь---выключено

Музыка

1. поп, рок
2. легкая музыка
3. классика, другая муз.
4. джаз, кантри
5. национальная, старая
6. фольклор

Речь

1. Новости, события, информация
 2. Спорт, образование, драма
 3. Культура, наука, разное
 4. Погода, финансы, дети
 5. Общество, религия, звонки слушателей в прямом эфире
 6. Путешествия, отдых, документальные материалы
- B) В режиме CD/MP3 плеера нажмите кнопку "TOP/CDP" для паузы воспроизведения диска, для возобновления воспроизведения нажмите ее снова. Удерживайте ее нажатой 0.5 секунды для воспроизведения первого трека диска.
- C) В режиме CD/MP3 плеера нажмите кнопку INT для воспроизведения первых 10 секунд каждого трека, нажмите ее еще раз для остановки режима INT и для воспроизведения выбранного трека.
- D) В режиме CD/MP3 плеера нажмите кнопку ПОВТОР ("RPT") для повторного воспроизведения текущего трека. Нажмите ее снова для отмены текущего режима.
- E) В режиме CD/MP3 плеера нажмите кнопку ПРОИЗВОЛЬНЫЙ ВЫБОР ("RDM") для воспроизведения треков в произвольном порядке. Нажмите ее еще раз для отмены этого режима.
- F) В режиме воспроизведения MP3 дисков кнопки M5 и M6 имеют функции перехода на 10 треков вперед/назад при обычном воспроизведении.

13. Кнопка РЕЖИМ (MODE)

Нажмите для выбора источника звука: Радио или CD/MP3 плеер.

14. СЕНСОР ДИСТАНЦИОННОГО УПРАВЛЕНИЯ

15. КНОПКА ЧАСЫ ("CLK")

1) РЕЖИМ РАДИО

Когда принимаются радио данные (RDS), быстро и последовательно нажимайте эту кнопку для поочередного отображения на дисплее следующих пунктов:
Имя станции PS --> Частота FREQUENCY --> Часы CLOCK --> Тип программыPTY -->

Когда радио данные не воспринимаются быстро и последовательно нажимайте эту кнопку для поочередного показа на дисплее следующих пунктов:
Частота FREQUENCY --> Часы CLOCK --> Тип программыPTY -->

2) РЕЖИМ CD/MP3 ПЛЕЕРА

Быстро нажимайте эту кнопку для отображения на дисплее времени в течение 5 сек, затем дисплей возвращается к предыдущему режиму до следующего нажатия этой кнопки.

3) НАСТРОЙКА ВРЕМЕНИ

В режиме часов удерживайте ее нажатой более 1 секунды. После того, как показатель времени начнет мигать, нажимайте кнопки + или - для установки часов или минут.

16. Кнопка СКаниРОВАНИЕ ("SCN")

Нажмите для сканирования радиодиапазона. Когда обнаруживается радиостанция с устойчивым сигналом, её текущая частота мигает в течение 5 секунд, снова нажмите эту кнопку для остановки сканирования и сохранения текущей частоты; в противном случае устройство через 5 секунд продолжит сканирование и перейдет к следующей станции.

УСТАНОВКА

КРЕПЛЕНИЕ МАГНИТОЛЫ В АВТОМОБИЛЕ

(Рис. В)

1. Устройство
2. Направляющие салазки
3. Передняя панель автомобиля
4. Шестигранная гайка
5. Контргайка
6. Плоская шайба
7. Кузов автомобиля
8. Кронштейн
9. Фиксирующий шуруп
10. Шестигранный болт М5 X 15

ПОДКЛЮЧЕНИЕ КОЛОНОК (РИС. D)

1. РАЗЪЕМ АНТЕННЫ
2. ISO РАЗЪЕМ
3. ПРЕДОХРАНИТЕЛИ
4. ПАМЯТЬ В+ (ЖЕЛТЫЙ)
5. ЧЕРНЫЙ (ЗЕМЛЯ "-")
6. КРАСНЫЙ (В+)
7. СИНИЙ ПИТАНИЕ АНТЕННЫ
8. ПЕРЕДНЯЯ ЛЕВАЯ КОЛОНКА
9. ЗАДНЯЯ ЛЕВАЯ КОЛОНКА
10. БЕЛЫЙ
11. БЕЛЫЙ/ЧЕРНЫЙ
12. ЗЕЛЕНЫЙ

РУССКИЙ

- 13.ЗЕЛЕНый/ЧЕРНЫЙ
- 14.ФИОЛЕТОВый/ЧЕРНЫЙ
- 15.ФИОЛЕТОВый
- 16.ЗАДНЯЯ ПРАВАЯ КОЛОНКА
- 17.ПЕРЕДНЯЯ ПРАВАЯ КОЛОНКА
- 18.СЕРый/ЧЕРНЫЙ
- 19.СЕРый
- 20.РАЗЪЕМ ЛИНЕЙНОГО АУДИОВЫХОДА
«ТЮЛЬПАН» RCA LINE-OUT
- 20a.КРАСНЫЙ ПРАВый
- 20b.БЕЛый ЛЕВый

ПРИМЕЧАНИЕ:

1. Необходимо использовать колонки с сопротивлением 4 Ом.
2. Не допускайте соприкосновения провода питания антенны с металлическими элементами кузова автомобиля или данного устройства.

Установка в приборную панель (Рис. 1,2,3,4)

1. Открутите шурупы и скобу
3. ЗАЖИМ. При необходимости загните эти зажимы
Замечание: Храните ключи в надежном месте, так как в будущем вам может понадобиться снять устройство из автомобиля.

СНЯТИЕ ПЕРЕДНЕЙ ПАНЕЛИ

Перед тем, как снять переднюю панель устройства, обязательно отключите его питание, нажав кнопку 1 - ВКЛ./ВЫКЛ. ПИТАНИЯ ("PWR").
Для снятия панели с устройства нажмите кнопку отсоединения панели 14 ("REL"). Когда панель окажется в горизонтальном положении, потяните её на себя.
Смотрите иллюстрацию 5,6,7,8.

Снятие и установка передней панели

Передняя панель этого устройства может сниматься для того, чтобы предотвратить кражу устройства. (Рис. 5, 6, 7, 8)

Примечания:

- При установке панели не прикладывайте значительные усилия. Она свободно присоединяется легким нажатием.
- При переноске панели кладите ее в прилагаемый пенал.
- При присоединении передней панели к устройству не нажимайте сильно на ЖК-дисплей.

МЕРЫ ПРЕДОСТОРОЖНОСТИ И УХОД

1. Если внутри машины очень жарко (например, после стоянки на солнце), включайте проигрыватель только после того, как машина проедет немного и салон охладится.
2. Используйте пластмассовый пенал для хранения передней панели.

3. Устройство спроектировано для типа электропроводки автомобиля, при которой отрицательный полюс батареи подсоединяется к кузову. Проверьте это перед установкой.
4. Следите за тем, чтобы провода колонок не закоротились при включении устройства. В противном случае возникнет перегрузка, которая может привести к выходу из строя усилителя.
5. Не устанавливайте съемную панель до окончания монтажа устройства.

ВОСПРОИЗВЕДЕНИЕ ДИСКА:

Чистка дисков

Перед воспроизведением диска протрите его чистой тряпкой без ворсинок.

Протирайте диск в направлении стрелки.

ВНИМАНИЕ:
Не используйте такие растворы, как бензин и растворители. Имеющиеся в продаже чистящие средства или антистатика могут повредить устройство.
Не вставляйте диск этикеткой вниз. Это может повредить устройство.

ВНИМАНИЕ:

Не вставляйте другой диск, если в устройстве уже имеется диск. Это может повредить устройство.
Берите диск за его края. Чтобы диск оставался чистым, не трогайте его поверхность.
Не приклеивайте бумагу или пленку на диск.
Не подвергайте диск воздействию прямого солнечного света или высокой температуры.
Не оставляйте диски в машине, припаркованной под прямым солнечным светом.

ЗАМЕНА БАТАРЕЙКИ В ПУЛЬТЕ ДИСТАНЦИОННОГО УПРАВЛЕНИЯ:

1. Выньте держатель батарейки в направлении, указанном стрелкой.
2. Замените старую батарейку на новую с полярностью (+) вверх.
3. Вставьте держатель батарейки на место в пульте дистанционного управления.

ЗАМЕЧАНИЕ О БАТАРЕЙКЕ ПУЛЬТА ДИСТАНЦИОННОГО УПРАВЛЕНИЯ:

1. Неправильное использование батарейки может вызвать перегрев или взрыв и привести к ранению или пожару.
2. Утечка батарейки может повредить пульт дистанционного управления (Срок годности батарейки: 6 месяцев при использовании в обычном режиме при обычной комнатной температуре).
3. Не замыкайте накоротко полюса батарейки.

РУССКИЙ

4. Не бросайте батарейку в огонь.
5. Во избежание несчастных случаев, храните батарейку в местах, недоступных детям.

РАСПОЛОЖЕНИЕ И ФУНКЦИИ КНОПОК УПРАВЛЕНИЯ (ТОЛЬКО НА ПУЛЬТЕ ДИСТАНЦИОННОГО УПРАВЛЕНИЯ)

ПЕРЕДНЯЯ ПАНЕЛЬ ПУЛЬТ ДУ

Звук выключен MUTE .MU
 Питание POWERPWR
 Режим MODEMD
 Диапазон BANDBND
 +/-Громкость VOL+/-
 Вверх UP⏮
 Вниз DN⏭

УСТРАНЕНИЕ НЕИСПРАВНОСТЕЙ

Чтобы устранить проблему, прочитайте рекомендации по устранению неисправностей. Если все же не получается устранить проблему, обратитесь в ближайший к Вам сервисный центр..

Нет питания

Не включено зажигание автомобиля
 Если устройство правильно подключено к автомобильной электрической сети, установите ключ зажигания в положение "ACC"

Сгорел предохранитель

Замените предохранитель

Диск не загружается

Внутри проигрывателя находится диск CD
 Извлеките диск из проигрывателя, затем вставьте новый диск

Диск не читается

Диск неправильно вставлен
 Вставьте компакт-диск лицевой стороной вверх

Компакт-диск очень грязный или бракованный

Почистите диск или поставьте новый

Очень высокая температура в машине
 Охладите салон, пока температура в нем не станет обычной

Нет звука

Установлен низкий уровень громкости
 Настройте громкость на нужный уровень

Неправильно подключены провода к колонкам

Проверьте подключение проводов

Кнопки не работают

Передняя панель не до конца установлена на место

Установите переднюю панель правильно

Происходят провалы в воспроизведении
 Угол установки превышает 30 градусов
 Отрегулируйте угол установки, чтобы он был менее 30 градусов

Компакт-диск очень грязный или бракованный
 Почистите диск / поставьте новый

Радио не работает.

Не работает автоматический выбор радио станций
 Кабель антенны не подключен.

Слишком слабые сигналы

Надежно зафиксируйте кабель антенны
 Попробуйте настроиться на станцию вручную

ХАРАКТЕРИСТИКИ

ОБЩЕЕ

Питание
 Прямой ток 13.8 V.
 Потребление тока 5 A максимум.
 Выходная мощность 4 X 40W.

FM

Диапазон частот 66 MHz – 108 MHz
 Чувствительность 3 uV.
 Частота I.F 10.7 MHz.

AM

Диапазон частоты 522 KHz – 1620 KHz
 Частота I.F 450 KHz
 Чувствительность 40 dB
 Выход линии (LINE – OUT)
 Выход CD MAX 1200 mv

Проигрыватель CD

Система аудио система для компакт дисков
 Поддерживаемые диски: CD/CD-R/CD-RW/MP3
 Формат сигнала: частота 44.1KHz.
 Диапазон частот: 10-20 KHz < 5dB.
 Уровень сигнала CD 50 dB [1KHz]
 Количество каналов 2 стерео.
 Размеры шасси 178[Ширина] X 50[Высота] X 165[Длина].

Из-за постоянных улучшений, характеристики и дизайн изделия могут изменяться без предварительного уведомления.

Срок службы прибора - не менее 5-ти лет

Данное изделие соответствует всем требуемым европейским и российским стандартам безопасности и гигиены.



Производитель: АН-ДЕР ПРОДАКТС ГмбХ,
 Австрия
 Йеневайнгассе, 10/10, 1210, Вена, Австрия

УКРАЇНСЬКИЙ

Автомобільний програвач CD/MP3 дисків із цифровим радіоприймачем Модель VT-3623

ПРО ДАНУ ІНСТРУКЦІЮ

Даний пристрій має ряд складних функцій, що забезпечують поліпшену якість прийому й роботи пристрою. Усі вони розраховані на простоту у використанні, але можуть вимагати додаткових пояснень.

Даний посібник з експлуатації призначений для того, щоб допомогти вам витягти всю користь із можливостей цього плеєра й підвищити Ваше задоволення від прослуховування.

Ми рекомендуємо Вам ознайомитися з функціями і їхньою роботою, і уважно прочитати керівництво перед початком використання пристрою. Особливо важливо, щоб Ви прочитали й дотримували «обережностей», викладених на наступній сторінці й в інших розділах.

Примітка:

- A. На додаток до звичайного CD, даний пристрій може відтворювати диски CD-R і CD-R/W, на яких містяться аудіо треки; однак, залежно від стану записуючого обладнання, записуючої програми, або самого диска CD-R і CD-R/W, деякі диски CD-R або CD-R/W можуть не відтворюватися.
- B. При записі музичного CD на диску CD-R або CD-R/W, занадто висока швидкість запису може привести до поганої якості звукового сигналу, тому рекомендується вибирати швидкість 24x або меншу для запису CD-R, і швидкість 4x або меншу для запису CD-R/W.

РОЗТАШУВАННЯ Й ФУНКЦІЇ КНОПОК КЕРУВАННЯ

1. Багатофункціональний перемикач для регулювання рівня голосності й навігації в меню налаштувань пристрою ("VOL / SEL / ENTER")
- 1). Послідовно натискайте кнопку "SEL" для вибору необхідного параметра звуку: VOL-UME (голосність), BASS (бас), TREBLE (верхні частоти), BALANCE (баланс по каналах) і FADER (рівень сигналу), потім обертайте ручку "VOL" (голосність) для зміни обраного параметра звуку.
- 2). Натисніть і втримуйте більше 1 секунди кнопку "SEL" (вибір) для включення режиму меню (MENU), на рідкокристалічному дисплеї з'явиться TA SEEK (пошук оголошення трафіка)/TA ALARM (попередження), потім

послідовно натискайте кнопку "SEL" для вибору режимів: MASK DPI/MASK ALL (відмінити обробку альтернативних частот/відмінити все), DSP OFF (аудіо процесор відключений)/POP M /ROCK M/CLASS M/FLAT M (поп, рок, класична музика, нейтральна музика), LOUD ON /LOUD OFF (тон-компенсація включена/виключена), ESP12/ESP45 (функція захисту від вібрації), BEEP ON/BEEP OFF (звуковий сигнал включений/відключений), SEEK1/SEEK2 (пошук1/пошук2), STEREO/MONO (стерео/моно), LOCAL/DX (місцевий/далекий радіосигнал), VOL LAST/VOL ADJ (рівень голосності за замовчуванням). (Коли включений режим налаштування голосності (VOL ADJUST), після нього буде режим A-VOL, після цього ви можете налаштувати рівень голосності). Після вибору потрібного режиму меню (MENU), обертайте кнопку голосності VOL для вибору режиму обраного параметра.

- 3). РЕЖИМ ПОШУКУ ТРЕКУ в режимі MP3:
 - A. Натисніть один раз кнопку "A.P" для вибору режиму пошуку треку "TRACK SEARCH", на РК дисплеї з'явиться індикатор TRK SCH.
 - B. Натисніть кнопку "SEL" для вводу режиму треку (TRACK), на екрані з'явиться 001 і перший символ буде мигати. Потім обертайте кнопку голосності VOL для зміни цифр від 0 до 9. (По закінченні натисніть кнопку SEL на більш ніж 0.5 секунди для відтворення обраного треку)
 - C. Натисніть кнопку "SEL", щоб замигали десятизначні цифри, потім обертайте ручку голосності VOL для зміни цифр від 0 до 9. (По закінченні натисніть кнопку "SEL" на більш ніж 0.5 секунди для відтворення обраного треку)
 - D. Натисніть кнопку "SEL", щоб замигали сотні, потім обертайте ручку голосності VOL для зміни цифр від 0 до 9.
 - E. Натисніть кнопку SEL для відтворення обраного треку. (Якщо номер обраного треку більше, ніж найбільший номер треку на диску MP3, то буде відтворюватися останній трек на диску MP3).

- 4). РЕЖИМ ПОШУКУ ФАЙЛУ в режимі MP3:
 - A. Двічі швидко натисніть кнопку "A.P" для вибору режиму ПОШУКУ ФАЙЛУ (FILE SEARCH), на екрані з'явиться FILE SCH.
 - B. Швидко один раз натисніть кнопку "SEL" для вибору й відображення першої папки. Потім обертайте ручку голосності "VOL" для покрокового вибору папки вперед або назад. * Натисніть кнопку "SEL" і втримуйте її більше 0.5 секунди для відтворення першого треку обраної папки.
 - C. Швидко один раз натисніть кнопку "SE" для вибору й показу першого треку обраної

УКРАЇНСЬКИЙ

папки. Потім обертайте ручку голосності "VOL" для покрокового вибору треку в папці вперед або назад.

- D. Швидко один раз натисніть кнопку "SEL" для відтворення обраного треку.
- 5). Режим ПОШУКУ ЗА НАЗВОЮ в режимі MP3:
 - A. Швидко натисніть кнопку "A.P" три рази для вибору режиму ПОШУКУ ЗА НАЗВОЮ. На дисплеї з'явиться CHAR SCH.
 - B. Швидко один раз натисніть кнопку "SEL" для підтвердження режиму ПОШУКУ ЗА НАЗВОЮ й на екрані з'явиться перший символ "A".
 - C. Для вибору символу "A" натисніть кнопку "SEL".
 - D. Для зміни символу "A", обертайте ручку "VOL" для вибору іншої букви й натисніть "SEL" ще раз для підтвердження обраного символу.
 - E. При підтвердженні першого символу ввід другого символу назви почнеться з "A".
 - F. Повторіть кроки з B до D для підтвердження другого символу.
 - G. Уведіть символи, що залишилися, по тому ж правилу.

ПРИМІТКА:

- 1) При натисканні кнопки "SEL" для підтвердження символу, якщо кнопка "SEL" натискається довше, ніж 0.5 секунди, почнеться відтворення пісні, ім'я якої починається на обраний символ (символи).
- 2) Можна вибрати 0-9 і символ " * " за допомогою ручки голосності VOL.

2. КНОПКА ВІДКРИВАННЯ

Натискання кнопки 2 відкидає передню панель, і ви можете вставити диск у відділення CD, або натиснути кнопку EJ для виймання диска із плеєра, або зняти передню панель.

3. LCD (РІДКОКРИСТАЛІЧНИЙ ДИСПЛЕЙ)

4. КНОПКИ НАГОРУ (UP) І ВНИЗ (DN)

- 1) У режимі РАДІО швидко послідовно натискайте кнопку ⏪ або ⏩ для ручного покрокового настроювання потрібної радіостанції. Натисніть і втримуйте кнопку ⏪ або ⏩ більше 0.5 секунди для автоматичного настроювання радіостанції з високим рівнем сигналу.
- 2) У режимі відтворення компакт-дисків (CD), натисніть кнопку ⏩ для відтворення наступного треку. Натисніть один раз кнопку ⏪ для відтворення поточного треку з його початку, натисніть кнопку ⏪ для відтворення останнього треку. Натисніть і втримуйте кнопку ⏪ або ⏩ для пропуску вперед або назад.

5. КНОПКА АВТОМАТИЧНОГО ЗБЕРЕЖЕННЯ / СКАНУВАННЯ

- 1) У режимі радіо натисніть кнопку "A.P" для прослуховування всіх радіостанцій, занесених у пам'ять, по 5 секунд, на Рк-дисплеї будуть мигати номер станції й частота. Якщо втримувати цю кнопку натиснутою більше 2 секунд, то будуть знайдені всі станції в поточному діапазоні й збережені в комірках пам'яті. Коли операція автоматичного збереження завершена, буде автоматично відтворюватися кожна зі знайдених радіостанцій протягом 5 секунд. Для зупинки сканування знайдених станцій натискайте цифрові кнопки 1-6 для вибору радіостанції..
- 2) У режимі MP3 поперемінно натискайте кнопку "A.P" для вибору режиму пошуку треку (TRACK SEARCH), пошуку файлу (FILE SEARCH), або ПОШУКУ ЗА НАЗВОЮ (CHARACTER SEARCH).

6. РАДІО ДІАПАЗОН (BAND)

Послідовно натискайте кнопку ДІАПАЗОН ("BND") у режимі РАДІО для вибору потрібного діапазону частот.

7. КНОПКА ПРИЙОМУ ІНФОРМАЦІЇ ПРО ДОРОЖНИЙ РУХ (ТРАФІК) (ТА [TRAFFIC ANNOUNCEMENT])

Натискання кнопки ІНФОРМАЦІЇ ПРО ДОРОЖНИЙ РУХ ("TA") включає або виключає режим "TA".

Коли включений режим "TA" (на дисплеї показується TA), він почне пошук станції "TA" і на дисплеї якийсь час буде висвічуватися символ "TA".

Коли передається оголошення про трафік:

- 1). Якщо пристрій знаходиться в режимі відтворення дисків CD, він тимчасово переключиться в режим радіо.
- 2). Тимчасово переключиться на станцію, що передає інформацію про трафік, на дисплеї буде показане "TP".
- 3). Якщо рівень голосності нижче 20, то він буде піднятий до 20, і повернеться до попереднього режиму й рівня голосності, коли оголошення про трафік буде закінчено. Якщо голосність настроюється під час оголошення про трафік, то буде встановлений попередній рівень голосності.
 - * функція переривання функції "TA":
Натискання цієї кнопки скасовує поточне оголошення про трафік, але режим "TA" не буде відключений.

8. КНОПКА ТИП ПРОГРАМИ РТУ (PROGRAM TYPE)

УКРАЇНСЬКИЙ

Швидко й послідовно натискайте кнопку ТИП ПРОГРАМИ ("PTY") для вибору одного з наступних режимів:

Тип програми МУЗИКА (PTY MUSIC) - - Тип програм МОВА (PTY SPEECH) - - Тип програми ВИКЛ. (PTY OFF)

Вибір типу програми здійснюється кнопками попередньої установки, як описано в пункті 12 (КНОПКИ ПОПЕРЕДНІХ УСТАНОВОК).

Швидко й послідовно натискайте одну з 6 кнопок попередніх установок для вибору ТИПУ ПРОГРАМИ.

Коли встановлений Тип програми музика або Тип програми мова, то на дисплеї відображаються попередні установки типу програм. Якщо протягом 2 секунд не були введені нові параметри, то ведеться пошук раніше обраного типу програми. Якщо протягом одного циклу сканування всіх програм потрібний Тип програми не знайдений, на дисплеї буде мигати ("NO PTY") і радіо перейде до звичайного радіо режиму.

9. КНОПКА ВКЛЮЧЕННЯ ЖИВЛЕННЯ

Для включення пристрою натисніть будь-яку кнопку, крім кнопки ВИЙМАННЯ ДИСКА (EJECT) і ВІД'ЄДНАННЯ ПАНЕЛІ (OPEN), натисніть і втримуйте кнопку ВКЛЮЧЕННЯ ЖИВЛЕННЯ ("PWR") більше 0.5 секунди для відключення пристрою. (Після підключення пристрою до мережі (ACC POWER) перший раз протягом 3-х секунд можна тільки включити пристрій)

10. КНОПКА АЛЬТЕРНАТИВНІ ЧАСТОТИ AF [ALTERNATIVE FREQUENCIES]

При швидкому натисканні вибирається режим "AF" і на дисплеї з'являється індикатор "AF".

Індикатор виключений: режим AF виключений.

Індикатор включений: режим AF включений, і є інформація радіоданих (RDS).

Індикатор мигає: AF (режим включений, але інформація RDS ще не сприймається).

При виборі режиму "AF" радіо увесь час перевіряє рівень сигналу на альтернативних частотах поточної радіостанції. Часовий інтервал перевірки залежить від рівня сигналу даної станції, від декількох хвилин для сильної станції до декількох секунд для слабкої. Щораз, коли сигнал на альтернативній частоті сильніше сигналу поточної станції, радіо переключається на ту частоту за дуже короткий час, на дисплеї 1-2 секунди показується НОВА ЧАСТОТА (NEW FREQUENCY). Через те, що час переключення дуже короткий, при звичайному

прослуховуванні програми це майже не чутно.

У режимі FM, коли включена "AF", функції ПОШУКУ (SEEK), СКАНУВАННЯ (SCAN), АВТОМАТИЧНОГО ЗБЕРЕЖЕННЯ (AUTO-MEMORY) можуть приймати й зберігати тільки програми RDS.

При довгому натисканні, режим AF переходить у режим ВКЛЮЧЕННЯ/ВИМИКАННЯ КОДУ РЕГІОНУ (REGION CODE ON/OFF).

Регіональний режим включений: REGIONAL MODE ON:

Режим "AF" або ПОШУК ІДЕНТИФІКАТОРА ПРОГРАМИ (PI SEEK) підходить до радіостанцій, у яких усі коди PI такі ж, як і в поточної станції. (Код PI перевіряється під час ПЕРЕВІРКИ "AF" (CHECK))

Регіональний режим відключений REGIONAL MODE OFF:

Регіональний код у форматі коду PI ігнорується в режимі "AF" або ПОШУКУ PI. (Код PI і Зона Покриття (COVERAGE AREA) не перевіряються під час пошуку "AF")

11. Кнопка Відключення Звуку ("MU")

Натисніть кнопку для швидкого відключення або поновлення звуку.

Для включення звуку можна також натиснути кнопки РЕЖИМ ("MODE"), ДІАПАЗОН ("BAND"), ГОЛОСНІСТЬ ("VOL"), ТОН-КОМПЕНСАЦІЯ ("LOUD"), ВИБІР ("SEL").

12. КНОПКИ ПОПЕРЕДНЬОЇ УСТАНОВКИ СТАНЦІЙ [1-6] і КНОПКИ НАГОРУ/ (TOP/CDP), ОЗНАЙОМЛЕННЯ ("INT"), ПОВТОР ("RPT"), ДОВІЛЬНИЙ ВИБІР ("RDM").

(A). РЕЖИМ РАДІО

При швидкому натисканні ці кнопки викликають попередньо встановлену радіостанцію.

При натисканні більш ніж на одну секунду, частота поточної станції зберігається в даній комірці пам'яті.

При виборі режиму Тип програми PTY, кнопки попередньо встановленої пам'яті розподіляються в такий спосіб:

Тип програми музика---Тип програми мова -- -виключене

Музика

1. поп, рок
2. легка музика
3. класика, інша муз.
4. джаз, кантрі
5. національна, стара
6. фольклор

УКРАЇНСЬКИЙ

Мова

1. Новини, події, інформація
 2. Спорт, освіта, драма
 3. Культура, наука, різне
 4. Погода, фінанси, діти
 5. Суспільство, релігія, дзвінки, слухачів у прямому ефірі
 6. Подорожі, відпочинок, документальні матеріали
- В) У режимі CD/MP3 плеєра натисніть кнопку "TOP/CDP" для паузи відтворення диска, для поновлення відтворення натисніть її знову. Утримуйте її натиснутою 0.5 секунди для відтворення першого треку диска.
- С) У режимі CD/MP3 плеєра натисніть кнопку INT для відтворення перших 10 секунд кожного треку, натисніть її ще раз для зупинки режиму INT і для відтворення обраного треку.
- Д) У режимі CD/MP3 плеєра натисніть кнопку ПОВТОР ("RPT") для повторного відтворення поточного треку. Натисніть її знову для скасування поточного режиму.
- Е) У режимі CD/MP3 плеєра натисніть кнопку ДОВІЛЬНИЙ ВИБІР ("RDM") для відтворення треків у довільному порядку. Натисніть її ще раз для скасування цього режиму.
- Ф) У режимі відтворення MP3 дисків кнопки M5 і M6 мають функції переходу на 10 треків вперед/назад при звичайному відтворенні.

13. Кнопка РЕЖИМ (MODE)

Натисніть для вибору джерела звуку: Радіо або CD/MP3 плеєр.

14. СЕНСОР ДИСТАНЦІЙНОГО КЕРУВАННЯ

15. КНОПКА ГОДИННИК ("CLK")

- 1) РЕЖИМ РАДІО
Коли приймаються радіо дані (RDS), швидко й послідовно натискайте цю кнопку для почергового відображення на дисплеї наступних пунктів:
Ім'я станції PS --> Частота FREQUENCY --> Годинник CLOCK --> Тип програмиPTY -->
Коли радіо дані не сприймаються швидко й послідовно натискайте цю кнопку для почергового показу на дисплеї наступних пунктів: Частота FREQUENCY --> Годинник CLOCK --> Тип програмиPTY -->
- 2) РЕЖИМ CD/MP3 ПЛЕЄРА
Швидко натискайте цю кнопку для відображення на дисплеї часу протягом 5, потім дисплей повертається до попереднього режиму до наступного натискання цієї кнопки.
- 3) НАСТРОЮВАННЯ ЧАСУ

У режимі годинника втримуйте її натиснутою більше 1 секунди. Після того як показник часу почне мигати, натискайте кнопки + або - для установки годин або хвилин.

16. Кнопка СКАНУВАННЯ ("SCN")

Натисніть для сканування радіодіапазону. Коли виявляється радіостанція зі стійким сигналом, її поточна частота мигає протягом 5 секунд, знову натисніть цю кнопку для зупинки сканування й збереження поточної частоти; у протилежному випадку пристрій через 5 секунд продовжить сканування й перейде до наступної станції.

УСТАНОВКА

КРІПЛЕННЯ МАГНІТОЛИ В АВТОМОБІЛІ

1. Пристрій
2. Напрямні полозки
3. Передня панель автомобіля
4. Шестигранна гайка
5. Контргайка
6. Плоска шайба
7. Кузов автомобіля
8. Кронштейн
9. Фіксуєчий шуруп
10. Шестигранний болт M5 X 15

Приклад установки

Установка в приладову панель (Мал. 1,2,3,4)

1. Відкрутіть шурупи й скобу
3. ЗАТИСКАЧ. При необхідності загнути ці затискачі

Зауваження: Зберігайте ключі в надійному місці, тому що в майбутньому вам може знадобитися зняти пристрій з автомобіля.

Зняття й установка передньої панелі

Передня панель цього пристрою може зніматися для того, щоб запобігти крадіжці пристрою.

ЗНЯТТЯ ПЕРЕДНЬОЇ ПАНЕЛІ

Перед тим, як зняти передню панель пристрою, обов'язково відключіть його живлення, натиснувши кнопку 1 - ВКЛ./ВИКЛ. ЖИВЛЕННЯ ("PWR").

Для зняття панелі із пристрою натисніть кнопку від'єднання панелі 14 ("REL"). Коли панель опиниться в горизонтальному положенні, потягніть її на себе. Дивіться ілюстрацію (5,6,7,8).

Примітки:

- При встановленні панелі не прикладайте значні зусилля. Вона вільно приєднується легким натисканням.
- При перенесенні панелі кладіть її в

УКРАЇНСЬКИЙ

прикладену піну.

- При приєднанні передньої панелі до пристрою не натискайте сильно на РК-дисплей.

ЗАПОБІЖНІ ЗАХОДИ Й ДОГЛЯД

1. Якщо всередині машини дуже жарко (наприклад, після стоянки на сонці), включайте програвач тільки після того, як машина проїде трохи й салон охолить.
2. Використовуйте пластмасову піну для зберігання передньої панелі.
3. Пристрій спроектований для типу електропроводки автомобіля, при якій негативний полюс батареї приєднується до кузова. Перевірте це перед установкою.
4. Стежте за тим, щоб проводи колонок не закоротилися при включенні пристрою. У протилежному випадку виникне перевантаження, що може привести до виходу з ладу підсилювача.
5. Не встановлюйте знімну панель до закінчення монтажу пристрою.

ВІДТВОРЕННЯ ДИСКА:

Чищення дисків

Перед відтворенням диска протріть його чистою ганчіркою без ворсинок. Протирайте диск у напрямку стрілки.

УВАГА:

- Не використовуйте такі розчини, як бензин і розчинники. Наявні в продажі засоби, що чистять, або антистатиками можуть ушкодити пристрій.
- Не вставляйте диск етикеткою вниз. Це може ушкодити пристрій.

УВАГА:

- Не вставляйте інший диск, якщо в пристрої вже є диск. Це може ушкодити пристрій.
- Беріть диск за його краї. Щоб диск залишався чистим, не торкайте його поверхню.
- Не приклеюйте папір або плівку на диск.
- Не піддавайте диск впливу прямого сонячного світла або високої температури.
- Не залишайте диски в машині, припаркованій під прямим сонячним світлом.

ПІДКЛЮЧЕННЯ КОЛОНОК

1. РОЗ'ЄМ АНТЕНИ
2. ISO РОЗ'ЄМ
3. ЗАПОБІЖНИКИ
4. ПАМ'ЯТЬ В+ (ЖОВТИЙ)
5. ЧОРНИЙ (ЗЕМЛЯ "-")
6. ЧЕРВОНИЙ (В+)
7. СИНІЙ ЖИВЛЕННЯ АНТЕНИ
8. ПЕРЕДНЯ ЛІВА КОЛОНКА

9. ЗАДНЯ ЛІВА КОЛОНКА

10. БІЛИЙ
11. БІЛИЙ/ЧОРНИЙ
12. ЗЕЛЕНИЙ
13. ЗЕЛЕНИЙ/ЧОРНИЙ
14. ФІОЛЕТОВИЙ/ЧОРНИЙ
15. ФІОЛЕТОВИЙ
16. ЗАДНЯ ПРАВА КОЛОНКА
17. ПЕРЕДНЯ ПРАВА КОЛОНКА
18. СІРИЙ/ЧОРНИЙ
19. СІРИЙ
20. РОЗ'ЄМ ЛІНІЙНОГО АУДІОВИХОДУ «ТЮЛЬПАН» RCA LINE-OUT
- 20а. ЧЕРВОНИЙ ПРАВІЙ
- 20б. БІЛИЙ ЛІВИЙ

ПРИМІТКА:

1. Необхідно використовувати колонки з опором 4 Ом.
2. Не допускайте торкання проводу живлення антени до металевих елементів кузова автомобіля або даного пристрою.

ЗАМІНА БАТАРЕЙКИ В ПУЛЬТІ ДИСТАНЦІЙНОГО КЕРУВАННЯ:

1. Вийміть тримач батарейки в напрямку, зазначеному стрілкою.
2. Замініть стару батарейку на нову з полярністю (+) нагору.
3. Вставте тримач батарейки на місце в пульті дистанційного керування.

ЗАУВАЖЕННЯ ПРО БАТАРЕЙКУ ПУЛЬТА ДИСТАНЦІЙНОГО КЕРУВАННЯ:

1. Неправильне використання батарейки може викликати перегрів або вибух і привести до поранення або пожежі.
2. Витік батарейки може ушкодити пульт дистанційного керування (Термін придатності батарейки: 6 місяців при використанні в звичайному режимі при звичайній кімнатній температурі).
3. Не замикайте накоротко полюса батарейки.
4. Не кидайте батарейку у вогонь.
5. Щоб уникнути нещасних випадків, зберігайте батарейку в місцях, недоступних дітям.

РОЗТАШУВАННЯ Й ФУНКЦІЙ КНОПОК КЕРУВАННЯ (ТІЛЬКИ НА ПУЛЬТІ ДИСТАНЦІЙНОГО КЕРУВАННЯ)

ПУЛЬТ

ДИСТАНЦІЙНОГО

КЕРУВАННЯ

ПЕРЕДНЯ ПАНЕЛЬ

Звук виключений MUTE...MU

Живлення POWERPWR

Режим MODEMD

Діапазон BANDBND

+/-Голосність VOL+/-

УКРАЇНСЬКИЙ

Нагору UP»
Униз DN«

УСУНЕННЯ НЕСПРАВНОСТЕЙ

Щоб усунути проблему, прочитайте рекомендації з усунення несправностей. Якщо все-таки не виходить усунути проблему, зверніться в найближчий до Вас сервісний центр..

Немає живлення

Не включене запалювання автомобіля
Якщо пристрій правильно підключений до автомобільної електричної мережі, установіть ключ запалювання в положення "ACC"

Згорів запобіжник
Замініть запобіжник

Диск не завантажується
Усередині програвача знаходиться диск CD
Витягніть диск із програвача, потім вставте новий диск

Диск не читається

Диск неправильно вставлений
Вставте компакт-диск лицьовою стороною нагору

Компакт-диск дуже брудний або бракований
Почистіть диск або поставте новий

Дуже висока температура в машині
Остудіть салон, поки температура в ньому не стане звичайною

Немає звуку

Установлено низький рівень голосності
Настройте голосність на потрібний рівень

Неправильно підключені проводи до колонок
Перевірте підключення проводів

Кнопки не працюють

Передня панель не до кінця встановлена на місце
Установіть передню панель правильно

Відбуваються провали у відтворенні

Кут установки перевищує 30 градусів
Відрегулюйте кут установки, щоб він був менше 30 градусів

Компакт-диск дуже брудний або бракований
Почистіть диск / поставте новий

Радіо не працює.

Не працює автоматичний вибір радіо станцій

Кабель антени не підключений.
Занадто слабкі сигнали

Надійно зафіксуйте кабель антени
Спробуйте настроїтися на станцію вручну

ХАРАКТЕРИСТИКИ

ЗАГАЛЬНЕ

Живлення Прямий струм 13.8V.
Споживання струму 5 A максимум.
Вихідна потужність 4 X 40W.

FM

Діапазон частот 66 MHz – 108 MHz
Чутливість 3 uV.
Частота I.F 10.7 MHz.

AM

Діапазон частоти 522 KHz – 1620 KHz
Частота I.F 450 KHz
Чутливість 40 dB

Вихід лінії (LINE - OUT)
Вихід CD MAX 1200 mv

Програвач CD

Система аудіо система для компакт-дисків
Підтримувані диски CD/CD-R/CD-RW/MP3
Формат сигналу частота 44.1KHz.
Діапазон частот 10-20 KHz < 5d.
Рівень сигналу CD 50 dB [1KHz]
Кількість каналів 2 стерео.
Розміри шасі 178[Ширина] X 50[Висота] X 165[Довжина].

Зауваження: Через постійні поліпшення, характеристики й дизайн виробу можуть змінюватися без попереднього повідомлення.

ТЕРМІН СЛУЖБИ ПРИЛАДУ НЕ МЕНШ 5-ТИ РОКІВ

Гарантія

Докладні умови гарантії можна отримати в дилера, що продав дану апаратуру. При пред'явленні будь-якої претензії протягом терміну дії даної гарантії варто пред'явити чек або квитанцію про покупку.



Даний виріб відповідає вимогам до електромагнітної сумісності, що пред'являються директивою 89/336/ЄЕС Ради Європи й розпорядженням 23/73 ЄЕС по низьковольтних апаратурах.

