

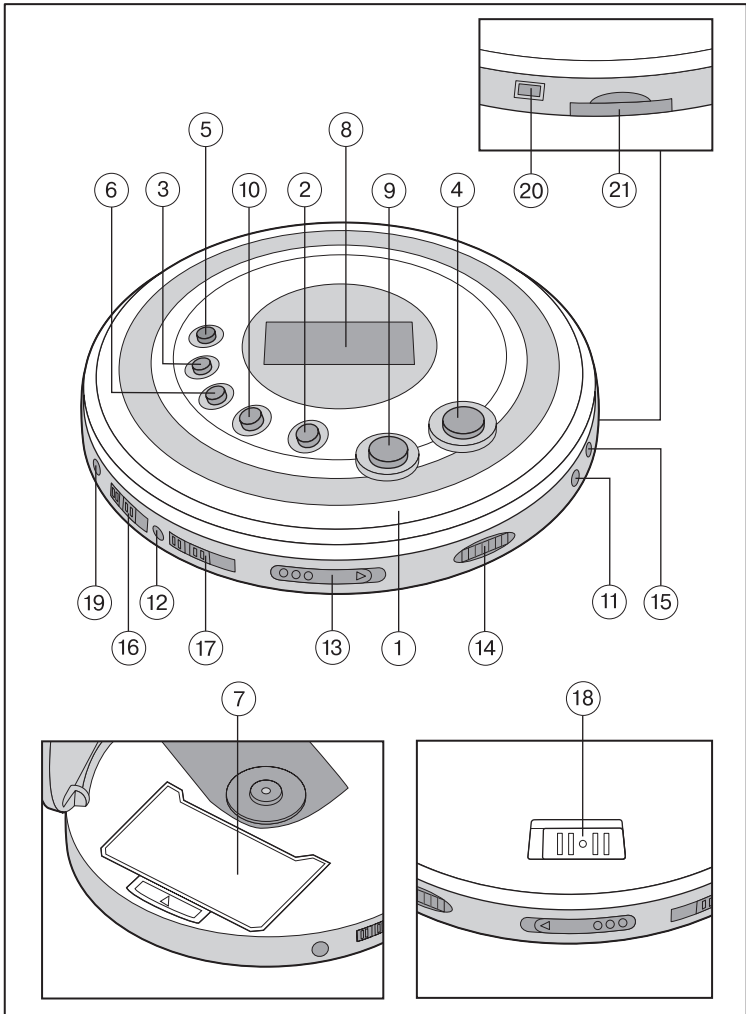
Vitek

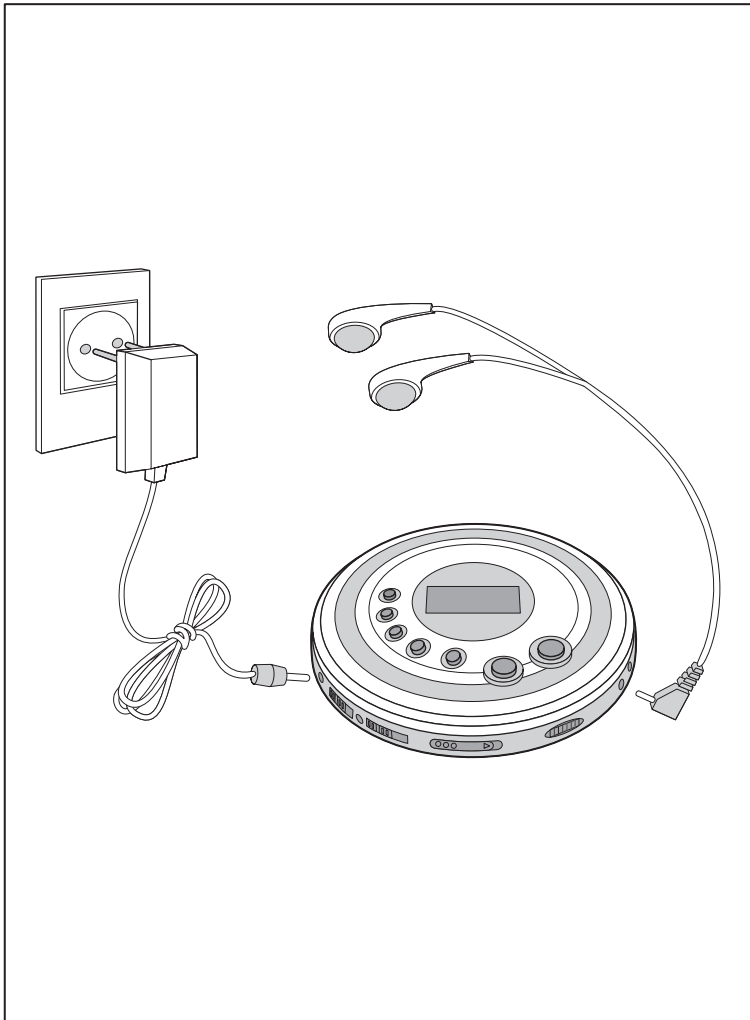
**PORTABLE CD/MP3 PLAYER
WITH USB/MMC SLOT
MODEL VT-3790 BK**



INSTRUCTION MANUAL

GB	MANUAL INSTRUCTION	4
DE	DIE BETRIEBSANWEISUNG	11
RUS	ИНСТРУКЦИЯ ПО ЭКСПЛУАТАЦИИ	19
UA	ІНСТРУКЦІЯ З ЕКСПЛУАТАЦІЇ	27





ENGLISH

PORTABLE CD/MP3 PLAYER WITH USB/MMC SLOT

Before using the device, please, read these instructions attentively.

FUNCTIONS AND CONTROL

1. CD compartment door
2. NEXT/SEARCH FORWARD button
3. PLAY MODE button
4. PLAY/PAUSE button
5. ASP/DIR/NEXT button
6. PROGRAM button
7. Accumulator batteries compartment
8. LED Display
9. STOP/FUNCTION button (power off)
10. PREVIOUS/SEARCH BACKWARD button
11. Headphones jack
12. Battery charge indicator
13. CD door open button
14. Volume control
15. Linear output jack
16. Battery charge switch
17. Bass boost switch
18. Control buttons locking switch
19. Power adapter jack
20. USB jack
21. SD/MMC memory cards jack

POWER

Power supply from the power adapter (supplied with the device)

1. Insert the plug end of the power adapter cord into the power adapter jack (19).
2. Connect the power adapter to AC 220-230V ~ 50 Hz power outlet.

Note:

- *If batteries are installed inside the device when connecting the power adapter, the device will automatically switch to the AC power (adapter).*
- *Use only the adapter included with the player. Using other adapters can damage the device.*
- *Before connecting make sure that the*

adapter operating voltage corresponds to the voltage of the local power network.

- *When there is no power in your supply network, disconnect the power adapter from the outlet.*
- *Don't touch the adapter with wet hands.*

Power supply from batteries

1. Disconnect the power adapter both from the AC outlet and the player.
2. Open the battery compartment.
3. Insert two Ni-MH batteries (1.2V 1200mA/h) (supplied with the device), observing their polarity.
4. Close the battery compartment door.
5. Set the battery charge switch to the ON position to start charging, the red CHARGE indicator will light up.

ATTENTION: to prevent damaging the device and batteries, the duration of one charging cycle should not exceed 12 hours.

CAUTION:

- Do not use (Ni-MH) and usual (for example, zinc-carbon) batteries simultaneously.
- Do not charge the batteries for more than 12 hours.

Note:

- *When batteries are charged for the first time, 15 hours are needed to fully charge them.*
- *If the batteries operation time has considerably reduced, even when charged properly, buy a new set of batteries.*

CONNECTION

Connection to audio system

Connect the stereo cable (not included with the device) to the linear output jack LINE OUT (15) and to the audio system jack CD/AUX.

ENGLISH

Note: Before connecting the player to the audio system, disconnect both devices from the AC network.

HEADPHONES

Insert the headphones plug (supplied with the device) into the headphones jack on the player.

CD / MP3 PLAYBACK

1. Insert the headphones plug (supplied with the device) into the headphones jack on the player.
2. Press the CD door open button (13).
3. Insert the CD with a label side up.
4. Close the CD door.
5. Set the VOLUME control (14) to the minimum level.
6. Press the PLAY/PAUSE (▶ ||) button (4), the device automatically turns on, "READING" appears on the LED display and playback starts.
7. Set a desirable volume level.
8. To pause playback, press the PLAY/PAUSE (▶ ||) button (4). The track number and the elapsed playback time will flash on the display. Once again press PLAY/ PAUSE (▶ ||) button (4) to resume playback.
9. To stop playback, press the STOP button (9).
10. To turn off the player, press and hold the STOP button (9) for over 2 seconds.

CD PLAYBACK

Press the PLAY /PAUSE (▶ ||) button (4) to start playback.

Total number of tracks and total disc playback time will be shown on the display for a short time. During playback, the display will show the current track number and its elapsing playback time.

MP3 PLAYBACK

Press the PLAY /PAUSE (▶ ||) button (4) to start playback.

Total number of albums (folders) and total number of tracks will be shown on the display for a short time.

During playback, the LED display will show the track related information (name of the artist, album, song).

Note: Information on the current track will be displayed only if it is present on the disc.

Note:

- *If during playback the CD compartment (1) door is open, LED display will show "OPEN".*
- *Press the STOP button (9) before pressing the CD door open button (13).*
- *The player can play 3-inch (8 cm) discs without using a special adapter.*

SELECTING TRACKS OR SEARCH BY A MUSIC FRAGMENT (CD)

1. Press the PREVIOUS/SEARCH BACKWARD (◀◀) button (4)
2. Several times press the PREVIOUS/SEARCH BACKWARD (◀◀) button (10) to select one of the previous tracks.
3. Several times press the NEXT/SEARCH FORWARD (▶▶) button (2) to select one of the next tracks.
4. Press and hold the PREVIOUS/SEARCH BACKWARD (◀◀) button (10) or the NEXT/SEARCH FORWARD (▶▶) button (2), to search by a music fragment of the track.

Note: When searching by a music fragment, the tracks will be played in accelerated mode at a low volume level.

SEARCHING TRACKS (MP3)

1. Press the PREVIOUS/SEARCH BACKWARD (◀◀) button (10) to go to the beginning of the current track.
2. Several times press the PREVIOUS/SEARCH BACKWARD (◀◀) button (10) to select one of the previous tracks.
3. Several times press the NEXT/SEARCH

ENGLISH

FORWARD (▶) button (2) to select one of the next tracks.

REPEATED PLAYBACK MODE

CD

1. Press the PLAY /PAUSE (▶ ||) button (4) to start playback.
2. To activate the repeated playback mode for a track, press the MODE button (3) once. LED display will show the "↺" symbol and the track will be played repeatedly. To cancel the repeated playback mode, press the STOP button (9) or press the MODE button (3) four times, after which the "↺" symbol will disappear from the display.
3. To activate the repeated playback mode for the entire disc, press the MODE button (3). LED display will show the "↺ALL" symbol and all tracks on the disc will be played repeatedly. To cancel the disc repeated playback mode, press the MODE button (3) three times, after which the "↺ALL" symbol will disappear from the display.

MP3

1. Press the PLAY/PAUSE (▶ ||) button (4), the track playback starts.
2. To activate the repeated playback mode for a track, press the MODE button (3) once. LED display will show the "↺" symbol and the track will be played repeatedly. To cancel the repeated playback mode, press the STOP button (9) or press the MODE button (3) five times, after which the "↺" symbol will disappear from the display.
3. To activate the album (folder) repeated playback mode, press the MODE button (3) twice. LED display will show the "↺ ALBUM" symbol and the album (folder) will be played repeatedly. To cancel the repeated playback mode, press the

STOP button (9) or press the MODE button (3) four times, after which the "↺ ALBUM" symbol will disappear from the display.

4. To activate the repeated playback mode for the entire disc, press the MODE button (3) three times. LED display will show the "↺ALL" symbol and all tracks on the disc will be played repeatedly. To cancel the disc's Repeated Playback mode, press the MODE button (3) three times, after which the "↺ALL" symbol will disappear from the display.

INTRO PLAY MODE

CD

1. Press the STOP button (9).
2. To activate the INTRO mode, press the MODE button (3) three times, "INTRO" will appear on the display.
3. Press the PLAY/PAUSE button (4), each track on the disc will be played for 10 seconds.
4. Press the MODE button (3) two times, to cancel the INTRO mode and return to the playback mode.

MP3

1. Press the STOP button (9).
2. To activate the INTRO mode, press the MODE button (3) four times, "INTRO" will appear on the display.
3. Press the PLAY/PAUSE (▶ ||) button (4), each track on the disc will be played for 10 seconds.
4. Press the MODE button (3) two times, to cancel the INTRO mode and return to the playback mode.

RANDOM PLAYBACK

CD

1. Press the STOP button (9).
2. To activate the RANDOM PLAYBACK mode, press the MODE button (3) four times, "RAND" will appear on the display.

ENGLISH

Now press the PLAY/PAUSE button (4), to start random playback of the disc's tracks.

3. Press the NEXT/SEARCH FORWARD (▶▶) button (2) to move to the next, randomly selected, track.
4. Press the MODE button (3) once to return to usual playback mode.

MP3

1. Press the STOP button (9).
2. To activate the RANDOM PLAYBACK mode, press the MODE button (3) five times, "RAND" will appear on the display. Then press the PLAY/PAUSE (▶▶) button (4), to start random playback of the disc's tracks.
3. Press the NEXT/SEARCH FORWARD (▶▶) button (2) to move to the next, randomly selected, track.
4. Press the MODE button (3) once to return to usual playback mode.

PROGRAM PLAYBACK**CD**

1. Press the PROGRAM button (6). "PROG" will appear on the LED display, where 00 - the track's number, P-01 - the track's order number in the program.
2. To select a track for the program, press the NEXT/SEARCH FORWARD (▶▶) button (2) or PREV/SEARCH BACKWARD (◀◀) button (10).
3. By pressing the PROGRAM button (6) once, include the track into the program.
4. Repeat the actions described on steps 2 and 3, to program other tracks (up to 64 tracks).
5. To start the program playback, press the PLAY/PAUSE (▶▶) button (4) once.
6. To cancel the program playback, press the STOP button (9).

Note: If, during the program playback, you want to play all programmed tracks repeat

edly, press the MODE button (3) until the "CDALL" indicator appears on the display.

MP3

1. Press the PROGRAM button (6). "PROG" will appear on the LED display, where 00 - the track's number, P-01 - the track's order number in the program.
2. The album number starts flashing in the upper right corner of the LED display. Using the NEXT/SEARCH FORWARD (▶▶) button (2) or PREV/SEARCH BACKWARD (◀◀) button (10), select the album/folder containing the desired track and press the PGM button (6).
3. Using the NEXT/SEARCH FORWARD (▶▶) button (2) or PREV/SEARCH BACKWARD (◀◀) button (10), select the desired track to be programmed.
4. By pressing the PGM button (6) once, include the track into the program.
5. Repeat the actions described on steps 2 -5, to program other tracks (up to 64 tracks).
6. To start the program playback, press the PLAY/PAUSE (▶▶) button (4) once.
7. To cancel the program playback, press the STOP button (9).

TRACK SEARCH BY ITS NAME (MP3)

Searching by the track (file) name

- Press the ASP/DIR/NEXT button (5), "A" will appear in the upper right corner of the LED display and the "Ⓜ" will start flashing, indicating the Search by Track Name mode.
- Using the NEXT/SEARCH FORWARD (▶▶) button (2) or PREV/SEARCH BACKWARD (◀◀) button (10), select the needed letter. The LED display will show the track which name starts with this letter.
- Press the PLAY/PAUSE (▶▶) button, playback of the selected track starts.

Note: Searching by the track name is possible only if the track was assigned the name

ENGLISH

when recoding the MP3 disc. If the disc contains tracks designated only by order numbers or other symbols, searching by the track name will be impossible.

Search by album name

- Press the ASP/DIR/NEXT button (5) twice, "A" will appear in the upper right corner of the LED display and the "⊕01" symbol will start flashing, indicating the Search by Album Name mode.
- Using the NEXT/SEARCH FORWARD (▶) button (2) or PREV/SEARCH BACKWARD (◀) button (10), select the needed letter. The LED display will show the album which name starts with this letter.
- Press the PLAY/PAUSE (▶||) button (4), playback of the selected album starts.

Note: Searching by the album name is possible only if the album (folder) was assigned the name when recoding the MP3 disc. If the disc contains albums (folders) designated only by order numbers or other symbols, searching by the album name will be impossible.

SPECIAL FUNCTIONS

Bass boost

Set the bass boost switch (17) into the "ON" position, to boost the low frequency tone.

Note: As the low frequency sound depends on the volume level, at high volume levels the sound may be distorted. Decrease the volume level or set the Bass Boost switch to "OFF".

Changing the display mode (only for MP3)

When playing MP3 tracks, the LED display can show information on the current track. Press and hold the MODE button (3) for over 2 seconds. The display will show the album number, file number and playback time. To return to the initial display mode, press

and hold the MODE button for over 2 seconds.

Automatic power turning off

If over 60 seconds have passed after pressing the STOP button (9), the automatic power turn off function is activated and the player is turned off automatically. At pressing and holding the STOP button (9) for over 3 seconds, the player will be turned off.

Automatic shock protection function (ASP)

- During playback the player can be subjected to mechanical shocks and vibration (for instance, when walking, or inside the moving car). The automatic shock protection function (ASP) allows to prevent the interruption of sound when the player is subjected to shocks or vibration.
- When the PLAY/PAUSE button (4) is pressed, "ASP" starts flashing on the display. Flashing of "ASP" sign will stop, when the data buffer of the memory becomes full.
- If the player is under continuous impact of shocking or vibration for over 45 seconds (when playing CD discs) or over 120 seconds (when playing MP3-discs), playback may be interrupted for several seconds. The playback will be resumed, as soon as the action of shocking or vibration stops.
- To cancel the ASP function, press the ASP button once (possible, only when playing CD discs).

Note:

When the automatic shock protection function (ASP) is activated, the disc rotates faster than at usual playback, because the disc data are taken into the device's operating memory, so the batteries become discharged faster.

Use the ASP function only when necessary, to save the batteries charge.

NOTE: When playing MP3 discs, the ASP function is constantly turned on, and cannot be deactivated.

Locking of control buttons (HOLD)

The device is equipped with control buttons lock function - HOLD (18) To lock the control buttons, set the lock switch (19) to "ON".

SD/MMC memory cards jack

In the stop mode insert a SD/MMC card containing MP3 files into the memory card jack (21). When the STOP button (9) is pressed for a short time, the "CARD-USB" will be shown on the display, and then the SD/MMC card contents will be read. The LED display will show the total number of MP3 files in the memory card. To start playback, press the PLAY/PAUSE button (4). To activate again the disc playback mode, press the STOP button (9) for a short time, the "CD-DISC" mode will be activated.

USB jack

In the stop mode insert the USB cable (supplied with the device) into the USB jack and connect a USB flash card to it, containing MP3 files. . When the STOP button (9) is pressed for a short time, the "CARD-USB" will be shown on the display, and then the flash card contents will be read. The LED display will show the total number of MP3 files in the memory card. To start playback, press the PLAY/PAUSE button (4).

To activate again the disc playback mode, press the STOP button (9) for a short time, the "CD-DISC" mode will be activated.

MAINTENANCE

Cleaning the device

Wipe the device exterior with a soft cloth dipped in soapy water.

Handling CDs

Handle the discs carefully. Hold discs only by the edges. Never touch the polished disc surface.

Do not stick scotch, stickers, etc., to the label side of the disc.

Periodically wipe discs with a soft (not fluffy) dry cloth. Never use cleaning aerosols or antistatic agents for cleaning discs. If necessary, buy a special kit for cleaning CDs. If the disc skips tracks or gets stuck in certain spots, then the disc may be dirty or damaged (scratched).

Wipe discs from center to outer edges in straight movements. Never wipe discs in circular motion.

To remove the disc from its case, press the center part of the case and remove the disc, holding it carefully by the edges.

Remove fingerprints and dust from the disc surface with a soft cloth. Compact discs differ from traditional recordings in that they do not have any grooves where dust can collect, so careful cleaning with a soft cloth should remove most of the particles.

ENGLISH

SPECIFICATIONS

Audio	
Supported formats	CD/DA - MP3
Supported data carriers	CD-R, CD-RW
Digital-analog conversion	1 bit D/A converter with 8 times over sampling.
Reproduced frequency band	20-20000 Hz
Automatic shock protection	45 sec.(CD), 120 sec. (MP3)
Detonation ratio	Above measuring limits
Number of channels	2 channels
Output signal	Linear output: 0.6 V (47 kOhm) Headphones: 20 mW (32 Ohm)
Bass boost (100 Hz)	+10 dB
MP3	
Data rate	23-384 Kbit/sec
MP3 playback	ISO9660 corresponding standard
General parameters	
Power supply	- 2 X 1.2V/ Ni-MH batteries - Power adapter 4.5V
Power consumption	0.8 W
Dimensions	~135 mm (L) x 135 mm (W) x 21 mm (H)
Weight (only the player, without batteries)	165 g.

Note: In the process of continuous product improvement, the manufacturer reserves the right to change the product specifications without prior notice of the users.

Service life of the unit is not less than 3 years

GUARANTEE

Details regarding guarantee conditions can be obtained from the dealer from whom the appliance was purchased. The bill of sale or receipt must be produced when making any claim under the terms of this guarantee.



This product conforms to the EMC-Requirements as laid down by the Council Directive 89/336/EEC and to the Low Voltage Regulation (73/23 EEC)

DEUTSCH**Tragbarer CD-Spieler mit MP3-Wiedergabe und USB/MMC Unterstützung**

Lesen Sie vor Gebrauch des Geräts diese Betriebsanweisung aufmerksam durch

FUNKTIONEN UND BEDIENUNG

1. CD-Fachdeckel
2. Taste VORWÄRTSSPRUNG/TITEL-VORWÄRTSSUCHE
3. Taste WIEDERGABE
4. Taste WIEDERGABE/PAUSE
5. Taste ASP/DIR/NEXT
6. Taste PROGRAMMIERUNG
7. Batterien-Fach
8. LCD-Display
9. Taste STOP/FUNKTION (Speisung Aus)
10. Taste RÜCKWÄRTSSPRUNG/TITEL-RÜCKWÄRTSSUCHE
11. Anschluss Kopfhörer
12. Ladeanzeige für Batterien
13. Taste CD-Fachdeckel
14. Lautstärkeänderung
15. Anschluss linearer Eingang
16. Umschaltung Batterien-Ladung
17. Umschaltung Niederfrequenz-Verstärkung
18. Umschaltung Tastensperre
19. Anschluss Netzadapter
20. USB-Schnittstelle
21. Speicherplatte-Slot Typ SD/MMC

SPEISUNG

Speisung mit Netzadapter (Lieferumfang)

1. Schließen Sie den Adapterstecker am Adapterkabel an die Anschlussstelle für den Netzadapter (19) an.
2. Schließen Sie den Netzadapter an die Wechselstrom-Steckdose (220-230 V ~ 50 Hz) an.

Anmerkungen:

- Wenn beim Anschluss des Netzadapters Batterien im Batterien-Fach vorhanden sind, schaltet das Gerät automatisch auf Wechselstrom-Speisung um (Netzadapter).

- Verwenden Sie nur den mitgelieferten Netzadapter. Andere Netzadapter können das Gerät beschädigen.
- Vergewissern Sie sich vor dem anschalten des Netzadapters an die Steckdose, dass die vorhandene Netzspannung der Betriebsspannung des Netzadapters entspricht.
- Stecken Sie den Netzadapter von der Steckdose ab, wenn Sie keine Wechselstrom-Speisung benötigen.
- Berühren Sie den Netzadapter mit nassen Händen nicht.

Batterien-Speisung

1. Stecken Sie den Netzadapter von der Steckdose und dem Gerät aus.
2. Öffnen Sie den Batterien-Fach.
3. Stecken Sie zwei Batterien Typ Ni-MH (1.2 V 1200 mAh) ein (Lieferumfang), beachten Sie dabei die Polarität.
4. Schließen Sie den Batterien-Fach.
5. Schalten Sie den Umschalter Batterien-Ladung auf "ON", um das Laden zu beginnen. Die Ladeanzeige für Batterien muss dabei rot brennen (CHARGE).

ACHTUNG: um eine Beschädigung des Geräts und der Batterien zu vermeiden, darf der Ladezyklus 12 Stunden nicht überschreiten.

Vorsicht:

- Stecken Sie gleichzeitig erlaubte (Ni-MH) und normale (z.B., Kohlen-Zink-Batterien) Batterien nicht.
- Ein Ladezyklus darf 12 Stunden nicht überschreiten.

Anmerkungen:

- Der erste Ladezyklus der neuen Batterien bedarf ca. 15 Stunden.
- Wenn die Arbeitsdauer mit den Batterien deutlich nachgelassen hat, kaufen Sie neue Batterien.

DEUTSCH

ANSCHLUSS

Anschluss an Audiosysteme

Verbinden Sie mit dem Stereo-Kabel (kein Lieferumfang) den linearen Ausgang des Geräts (LINE OUT) (15) und den Anschluss des Audiosystems CD/AUX.

Anmerkung: Schalten Sie vor jedem Anschluss des Spielers an Audiosysteme die beiden Geräte spannungslos.

KOPFHÖRER

Schließen Sie den Kopfhörer-Stecker (die Kopfhörer gehören zum Lieferumfang) an den Kopfhörer-Anschluss an.

WIEDERGABE CD/MP3

1. Schließen Sie den Kopfhörer-Stecker (die Kopfhörer gehören zum Lieferumfang) an den Kopfhörer-Anschluss an.
2. Drücken Sie die Taste CD-Fachdeckel (13).
3. Legen Sie die CD mit dem nach oben gerichteten Bild ein.
4. Schließen Sie den CD-Fachdeckel.
5. Stellen Sie den Drehgeber für Lautstärkeänderung (VOLUME) (14) auf Minimum ein.
6. Drücken Sie die Taste WIEDERGABE/PAUSE (PLAY/PAUSE) (▶ II) (4), das Gerät schaltet dabei automatisch ein, am LCD-Display erscheint die Anzeige "READING" ("LESEN") und die Wiedergabe beginnt.
7. Stellen Sie die gewünschte Lautstärke ein.
8. Drücken Sie die Taste WIEDERGABE/PAUSE (PLAY/PAUSE) (▶ II) (4), um die Wiedergabe anzuhalten. Die Titel-Nummer und die abgelaufene Spielzeit am Display beginnen zu blinken. Drücken Sie wiederholt die Taste WIEDERGABE/PAUSE (PLAY/PAUSE) (▶ II) (4), um die Wiedergabe fortzusetzen.
9. Drücken Sie die Stop-Taste (STOP) (9), um die Wiedergabe abzubrechen.

10. Drücken und behalten Sie min. 2 sec die Stop-Taste (STOP) (9), um das Gerät abzuschalten.

CD

Drücken Sie die Taste WIEDERGABE (PLAY) (4), um die CD-Wiedergabe zu beginnen. Das LCD-Display zeigt kurz die gesamte Titel-Zahl und die gesamte CD-Spielzeit an. Bei der Wiedergabe zeigt das Display die laufende Titel-Nummer und die abgelaufene Spielzeit an.

MP3

Drücken Sie die Taste WIEDERGABE (PLAY) (4), um die CD-Wiedergabe zu beginnen. Das LCD-Display zeigt kurz die gesamte Album- (Mappen-) und Titel-Zahl an. Bei der Wiedergabe zeigt das Display Informationen über den spielenden Titel an (Sänger-Name, Album-Name und Titel-Name).

Anmerkung: die Informationen über den spielenden Titel werden nur dann angezeigt, wenn diese auf der CD gebrannt sind.

Anmerkungen:

- Öffnen Sie bei der Wiedergabe den CD-Fachdeckel (1), so erscheint am LCD-Display die Anzeige "OPEN" ("GEÖFFNET").
- Drücken Sie die Stop-Taste (STOP) (9), bevor Sie die Taste CD-Fachdeckel drücken (13).
- Das Gerät kann 3-Zoll-CDs (8 cm) ohne speziellen Adapter abspielen.

TITEL-SUCHE ODER FRAGMENT-SUCHE (CD)

1. Drücken Sie die Taste RÜCKWÄRTSSPRUNG/TITEL-RÜCKWÄRTSSUCHE (◀) (10), um an den Titel-Anfang zu gelangen.
2. Drücken Sie mehrmals die Taste RÜCKWÄRTSSPRUNG/TITEL-RÜCKWÄRTSSUCHE (◀) (10), um an vorangehende Titel zu gelangen.
3. Drücken Sie mehrmals die Taste

DEUTSCH

- VORWÄRTSSPRUNG/TITEL-VORWÄRTSSUCHE (▶) (2), um an nächste Titel zu gelangen.
4. Drücken und behalten Sie die Taste RÜCKWÄRTSSPRUNG/TITEL-RÜCKWÄRTSSUCHE (◀) (10) bzw. VORWÄRTSSPRUNG/TITEL-VORWÄRTSSUCHE (▶) (2), um den Musikfragment des Titels zu finden.

Anmerkung: bei der Fragment-Suche beschleunigt sich die Wiedergabe, und die Lautstärke lässt nach.

TITEL-SUCHE (MP3)

1. Drücken Sie die Taste RÜCKWÄRTSSPRUNG/TITEL-RÜCKWÄRTSSUCHE (◀) (10), um an den Titel-Anfang zu gelangen.
2. Drücken Sie mehrmals die Taste RÜCKWÄRTSSPRUNG/TITEL-RÜCKWÄRTSSUCHE (◀) (10), um an vorangehende Titel zu gelangen.
3. Drücken Sie mehrmals die Taste VORWÄRTSSPRUNG/TITEL-VORWÄRTSSUCHE (▶) (2), um an nächste Titel zu gelangen.

WIEDERHOLTE WIEDERGABE CD

1. Drücken Sie die Taste WIEDERGABE/PAUSE (PLAY/PAUSE) (▶ II) (4), um die Titel-Wiedergabe zu beginnen.
2. Drücken Sie einmal die MODUS-Taste (MODE) (3), um die Funktion wiederholte Wiedergabe zu aktivieren. Am LCD-Display erscheint die Anzeige "◻", und die Titel-Wiedergabe wiederholt sich. Drücken Sie die Stop-Taste (STOP) (9) oder drücken Sie viermal die MODUS-Taste (MODE) (3), um die Funktion wiederholte Wiedergabe zu deaktivieren, dabei erlischt die Anzeige "◻" vom LCD-Display.

3. Drücken Sie zweimal die MODUS-Taste (MODE) (3), um die Funktion wiederholte Wiedergabe der CD zu aktivieren. Am LCD-Display erscheint die Anzeige "◻ALL" und die Wiedergabe aller Titel wiederholt sich. Drücken Sie dreimal die MODUS-Taste (MODE) (3), um die Funktion wiederholte Wiedergabe der CD zu deaktivieren, dabei erlischt die Anzeige "◻ALL" vom LCD-Display.

MP3

1. Drücken Sie die Taste WIEDERGABE/PAUSE (PLAY/PAUSE) (▶ II) (4), um die Titel-Wiedergabe zu beginnen.
2. Drücken Sie einmal die MODUS-Taste (MODE) (3), um die Funktion wiederholte Titel-Wiedergabe zu aktivieren. Am LCD-Display erscheint die Anzeige "◻", und die Titel-Wiedergabe wiederholt sich. Drücken Sie die Stop-Taste (STOP) (9) oder drücken Sie fünfmal die MODUS-Taste (MODE) (3), um die Funktion wiederholte Wiedergabe zu deaktivieren, dabei erlischt die Anzeige "◻" vom LCD-Display.
3. Drücken Sie zweimal die MODUS-Taste (MODE) (3), um die Funktion wiederholte Wiedergabe des Albums (der Mappe) zu aktivieren. Am LCD-Display erscheint die Anzeige "◻ ALBUM", und die Wiedergabe des Albums (der Mappe) wiederholt sich. Drücken Sie die Stop-Taste (STOP) (9) oder drücken Sie viermal die MODUS-Taste (MODE) (3), um die Funktion wiederholte Wiedergabe zu deaktivieren, dabei erlischt die Anzeige "◻ ALBUM" vom LCD-Display.
4. Drücken Sie dreimal die MODUS-Taste (MODE) (3), um die Funktion wiederholte Wiedergabe der CD zu aktivieren. Am LCD-Display erscheint die Anzeige "◻ALL" und die Wiedergabe aller Titel wiederholt sich. Drücken Sie dreimal die MODUS-Taste (MODE) (3), um die Funktion

DEUTSCH

wiederholte Wiedergabe der CD zu deaktivieren, dabei erlöscht die Anzeige "CDALL" vom LCD-Display.

INTRO-MODUS

CD

1. Drücken Sie die Stop-Taste (STOP) (9).
2. Drücken Sie dreimal die MODUS-Taste (MODE) (3), um den Intro-Modus zu aktivieren, dabei erscheint am Display die Anzeige "INTRO" ("ANSICHT").
3. Drücken Sie die Taste WIEDERGABE/PAUSE (PLAY/PAUSE) (4), die Wiedergabe-Zeit jedes Titels von der CD dauert 10 sec.
4. Drücken Sie zweimal die MODUS-Taste (MODE) (3), um den Intro-Modus zu deaktivieren und den normalen Wiedergabe-Modus zu aktivieren.

MP3

1. Drücken Sie die Stop-Taste (STOP) (9).
2. Drücken Sie viermal die MODUS-Taste (MODE) (3), um den Intro-Modus zu aktivieren, dabei erscheint am Display die Anzeige "INTRO" ("ANSICHT").
3. Drücken Sie die Taste WIEDERGABE/PAUSE (PLAY/PAUSE) (▶ ||) (4), die Wiedergabe-Zeit jedes Titels von der CD dauert 10 sec.
4. Drücken Sie zweimal die MODUS-Taste (MODE) (3), um den Intro-Modus zu deaktivieren und den normalen Wiedergabe-Modus zu aktivieren.

WIEDERGABE IN DER FREIEN REIHEH-FOLGE

CD

1. Drücken Sie die Stop-Taste (STOP) (9).
2. Drücken Sie viermal die MODUS-Taste (MODE) (3), um den Rand-Modus zu aktivieren, dabei erscheint am Display die Anzeige "RAND" ("FREIE REIHEH-FOLGE").
Drücken Sie anschließend die Taste WIEDERGABE/PAUSE (PLAY/PAUSE)

(4), um die Titel-Wiedergabe in der freien Reihenfolge zu beginnen.

3. Drücken Sie die Taste VORWÄRTSÜBERGANG/TITEL-VORWÄRTSSUCHE (▶) (2), um an den nächsten zufällig gefundenen Titel zu gelangen.
4. Drücken Sie einmal die MODUS-Taste (MODE) (3), um die normale Wiedergabe wieder zu aktivieren.

MP3

1. Drücken Sie die Stop-Taste (STOP) (9).
2. Drücken Sie fünfmal die MODUS-Taste (MODE) (3), um den Rand-Modus zu aktivieren, dabei erscheint am Display die Anzeige "RAND" ("FREIE REIHEH-FOLGE").
Drücken Sie anschließend die Taste WIEDERGABE/PAUSE (PLAY/PAUSE) (▶ ||) (4), um die Titel-Wiedergabe in der freien Reihenfolge zu beginnen.
3. Drücken Sie die Taste VORWÄRTSSPRUNG/TITEL-VORWÄRTSSUCHE (2), um an den nächsten zufällig gefundenen Titel zu gelangen.
4. Drücken Sie einmal die MODUS-Taste (MODE) (3), um die normale Wiedergabe wieder zu aktivieren.

PROGRAMMIERBARE WIEDERGABE

CD

1. Drücken Sie die Taste PROGRAMMIERUNG (PROGRAM) (6). Am LCD-Display erscheint dabei die Anzeige "PROG". 00 – Titel-Nummer, P-01 – Titelfolgennummer im Programm.
2. Drücken Sie vor der Speicherung die Taste VORWÄRTSSPRUNG/TITEL-VORWÄRTSSUCHE (▶) (2) bzw. RÜCKWÄRTSSPRUNG/TITEL-RÜCKWÄRTSSUCHE (◀) (10), um die entsprechende Titel-Nummer zu wählen.
3. Drücken Sie anschließend einmal die Taste PROGRAMMIERUNG (PROGRAM) (6), um die Titel-Nummer im Wiedergabe-Programm zu speichern.

DEUTSCH

4. Wiederholen Sie das in den Pkt. 2 und Pkt. 3 beschriebene Verfahren, um alle Titel im Wiedergabe-Programm zu speichern (max. 64 Speicherplätze).
 5. Drücken Sie einmal die Taste WIEDERGABE/PAUSE (PLAY/PAUSE) (▶ ||) (4), um die Wiedergabe der gespeicherten Titel zu beginnen.
 6. Drücken Sie die Stop-Taste (STOP) (9), um das Wiedergabe-Programm abzubrechen.
6. Drücken Sie einmal die Taste WIEDERGABE/PAUSE (PLAY/PAUSE) (▶ ||) (4), um die Wiedergabe der gespeicherten Titel zu beginnen.
 7. Drücken Sie die Stop-Taste (STOP) (9), um das Wiedergabe-Programm abzubrechen.

Anmerkung: Wollen Sie während der Programm-Wiedergabe alle gespeicherten Titel wiederholt abspielen lassen, drücken Sie die MODUS-Taste (MODE) (3) solange, bis am Display die Anzeige "CDALL" erscheint.

MP3

1. Drücken Sie die Taste PROGRAMMIERUNG (PROGRAM) (6). Am LCD-Display erscheint dabei die Anzeige "PROG". 00 – Titel-Nummer, P-01 – Titelfolgenummer im Programm.
2. Im oberen rechten Teil des LCD-Displays muss die Album-Nummer blinken. Wählen Sie mit der Taste VORWÄRTSSPRUNG/TITEL-VORWÄRTSSUCHE (2) bzw. RÜCKWÄRTSSPRUNG/TITEL-RÜCKWÄRTSSUCHE (◀) (10) das gewünschte Album bzw. die gewünschte Mappe mit dem gesuchten Titel und drücken Sie anschließend die Taste PROGRAMMIERUNG (PROGRAM) (6).
3. Wählen Sie mit der Taste VORWÄRTSSPRUNG/TITEL-VORWÄRTSSUCHE (2) bzw. RÜCKWÄRTSSPRUNG/TITEL-RÜCKWÄRTSSUCHE (◀) (10) den gewünschten Titel.
4. Speichern Sie mit dem einmaligen Tastendruck der Taste PROGRAMMIERUNG (PROGRAM) (6) den gewünschten Titel im Wiedergabe-Programm.
5. Wiederholen Sie das in den Pkt. 2 - 5

- beschriebene Verfahren, um alle Titel im Wiedergabe-Programm zu speichern (max. 64 Speicherplätze).
6. Drücken Sie einmal die Taste WIEDERGABE/PAUSE (PLAY/PAUSE) (▶ ||) (4), um die Wiedergabe der gespeicherten Titel zu beginnen.
 7. Drücken Sie die Stop-Taste (STOP) (9), um das Wiedergabe-Programm abzubrechen.

TITEL-SUCHE NACH DEM NAMEN (MP3)

- Suche nach dem Titel-/Dateinamen
- Drücken Sie die Taste ASP/DIR/NEXT (5), dabei erscheint im oberen rechten Teil des LCD-Displays das Symbol "A" und die Anzeige "A" beginnt zu blinken. Dies entspricht der aktivierten Titel-Suchfunktion nach dem Namen.
 - Wählen Sie mit der Taste VORWÄRTSSPRUNG/TITEL-VORWÄRTSSUCHE (2) bzw. RÜCKWÄRTSSPRUNG/TITEL-RÜCKWÄRTSSUCHE (◀) (10) den gewünschten Buchstaben. Am LCD-Display erscheint der mit dem gewählten Buchstaben beginnende Titelname.
 - Drücken Sie die Taste WIEDERGABE/PAUSE (PLAY/PAUSE) (4), um die Titel-Wiedergabe zu beginnen.

Anmerkung: Die Titel-Suchfunktion nach dem Namen ist möglich nur in dem Fall, wenn bei dem Brennen des MP3 CD-Disks dem Titel der Name gegeben worden ist. Wenn die Titel nur mit laufenden Nummern bzw. anderen Symbolen bezeichnet sind, so ist die Titel-Suchfunktion nach dem Namen unmöglich.

Suche nach dem Album-/Mappennamen

- Drücken Sie zweimal die Taste ASP/DIR/NEXT (5), dabei erscheint im oberen rechten Teil des LCD-Displays das Symbol "A" und die Anzeige "A01" beginnt zu blinken. Dies entspricht der

DEUTSCH

- aktivierten Album-Suchfunktion nach dem Namen.
- Wählen Sie mit der Taste VORWÄRTSSPRUNG/TITEL-VORWÄRTSSUCHE (2) bzw. RÜCKWÄRTSSPRUNG/TITEL-RÜCKWÄRTSSUCHE (⏪) (10) den gewünschten Buchstaben. Am LCD-Display erscheint der mit dem gewählten Buchstaben beginnende Albumname.
- Drücken Sie die Taste WIEDERGABE/PAUSE (PLAY/PAUSE) (▶ II) (4), um die Album-Wiedergabe zu beginnen.

Anmerkung: Die Titel-Suchfunktion nach dem Namen ist möglich nur in dem Fall, wenn bei dem Brennen des MP3 CD-Disks dem Album bzw. der Mappe der Name gegeben worden ist. Wenn die Alben/Mappen nur mit laufenden Nummern bzw. anderen Symbolen bezeichnet sind, so ist die Titel-Suchfunktion nach dem Namen unmöglich.

SONDERFUNKTIONEN Niederfrequenz-Verstärkung (BASS BOOST)

Schalten sie die Niederfrequenz-Verstärkung (17) auf "ON", um die Niederfrequenzen zu verstärken.

Anmerkung: Da der Niederfrequenz-Klang von der Lautstärke abhängig ist, kann der Klang bei einer hohen Lautstärke verfälscht werden. Reduzieren Sie in diesem Fall die Lautstärke oder schalten Sie die Niederfrequenz-Verstärkung (17) auf "OFF" um.

Änderung der Display-Einstellungen (bei MP3-Betrieb)

Bei der MP3 Titel-Wiedergabe kann am LCD-Display die Titel-Information des jeweiligen Titels angezeigt werden. Drücken und behalten Sie die MODUS-Taste (MODE) (3) länger als 2 Sekunden. Das Display zeigt die Album- und Datei-Nummer sowie die Spielzeit an. Drücken und behalten Sie die

MODUS-Taste (MODE) (3) länger als 2 Sekunden, um an die Ureinstellungen zu gelangen.

Automatische Abschaltung

60 Sekunden nach dem einmaligen Drücken der Taste STOP (9) wird die Funktion automatische Abschaltung der Speisung aktiviert, und das Gerät wird automatisch abgeschaltet. Drücken und behalten Sie die Taste STOP (9) länger als 2 Sekunden, um die Speisung abzuschalten.

Digitales Abtastersprung-Verhütungssystem (ASP)

- Bei der Wiedergabe kann das Gerät Erschütterungen oder Vibrationen ausgesetzt werden (z.B. beim Gehen oder Autofahren). Das Abtastersprung-Verhütungssystem (ASP) kann Abtastersprünge bei der Wiedergabe wegen Erschütterungen und Vibrationen ausschließen.
- Drücken Sie die Taste WIEDERGABE/PAUSE (PLAY/PAUSE) (▶ II) (4), und die ASP-Anzeige am LCD-Display beginnt zu blinken. Die ASP-Anzeige hört auf zu blinken, wenn der Speicher voll ist.
- Wenn das Gerät 45 Sekunden (bei der Wiedergabe der CD-Disks) / 120 Sekunden (bei der Wiedergabe der MP3 CD-Disks) lang ununterbrochen Erschütterungen oder Vibrationen ausgesetzt wird, so ist eine Unterbrechung der Wiedergabe während weniger Sekunden möglich. Die Wiedergabe fängt wieder an wenn Erschütterungen oder Vibrationen zu Ende sind.
- Drücken Sie einmal die ASP-Taste, um das Abtastersprung-Verhütungssystem zu deaktivieren (nur bei Wiedergabe der CDs).

*Anmerkungen:
Wenn das Abtastersprung-Verhütungssystem (ASP) aktiv ist dreht sich die CD schneller, als bei der normalen*

DEUTSCH

Wiedergabe, weil die Daten von der CD im Gerätespeicher gespeichert werden. Dabei werden die Batterien schneller leer. Aktivieren Sie das Abtastersprung-Verhütungssystem (ASP) nur wenn Sie es wirklich brauchen, um die Arbeitsdauer der Batterien nicht zu verkürzen.

ACHTUNG: bei der Wiedergabe der MP3 Disks ist das Abtastersprung-Verhütungssystem (ASP) immer aktiv und nicht abschaltbar.

Tastensperre (HOLD)

Das Gerät besitzt eine Tastensperre-Funktion HOLD (18). Um die Tastensperre zu aktivieren schalten Sie den Umschalter (18) auf "ON" um.

Speicherkarte-Slot SD/MMC

Stecken Sie im Standby-Betrieb die Speicherkarte Typ SD oder MMC mit den MP3 Musik-Dateien in den Speicherkarte-Slot (21) ein. Drücken Sie kurz auf die Taste STOP (9), dabei zeigt das Display die Anzeige "CARD-USB" an und die Daten von der Speicherkarte Typ SD oder MMC werden abgelesen. Am LCD-Display wird die Gesamtzahl der auf der Speicherkarte gespeicherten MP3 Dateien angezeigt. Drücken Sie die Taste WIEDERGABE/ PAUSE (PLAY/PAUSE) (4), um die Wiedergabe zu beginnen.

Drücken Sie die Taste STOP/FUNKTION (9), um die CD-Wiedergabe wieder zu aktivieren, das Gerät schaltet dabei in den Betrieb "CD-DISC" um.

USB-Schnittstelle

Schließen Sie im Standby-Betrieb das USB-Kabel (Lieferumfang) an die USB-Schnittstelle (20) des Geräts an und schließen Sie an das Kabel die USB-Speicherkarte mit den MP3 Musik-Dateien an. Drücken Sie kurz auf die Taste STOP (9), dabei zeigt das Display die Anzeige "CARD-USB" an und die Daten von der

Speicherkarte werden abgelesen. Am LCD-Display wird die Gesamtzahl der auf der Speicherkarte gespeicherten MP3 Dateien angezeigt. Drücken Sie die Taste WIEDERGABE/PAUSE (PLAY/PAUSE) (▶ II) (4), um die Wiedergabe zu beginnen. Drücken Sie die Taste STOP/FUNKTION (9), um die CD-Wiedergabe wieder zu aktivieren, das Gerät schaltet dabei in den Betrieb "CD-DISC" um.

BEDIENUNG

Reinigung des Geräts

Wischen Sie die Oberfläche des Geräts mit einem weichen mit dem Seifenwasser angefeuchten Lappen aus.

CD-Pflege

Gehen Sie mit den CDs sorgsam um. Fassen Sie die CDs nur an den Rändern. Berühren Sie nie die glänzende Unterseite der CDs. Kleben Sie keine Klebebänder, Aufkleber oder Sonstiges an die Oberseite der CDs. Wischen Sie die CDs regelmäßig mit einem weichen trockenen Lappen aus (verwenden Sie keine Wolllappen). Verwenden Sie beim CD-Reinigen keine Reinigungs-Sprühmittel oder antistatische Mittel. Besorgen Sie sich bei Bedarf ein spezielles CD-Reinigungsmittel. Gibt es bei der Wiedergabe der CD Ausfälle oder Pausen, kann die CD beschmutzt oder beschädigt (geritzt) sein. Wischen Sie die CDs in der Richtung von der Mitte zum Rand aus. Wischen Sie die CDs nie mit Kreisbewegungen aus. Um die CD aus der Box herauszunehmen drücken Sie auf die Mitte der CD-Box, fassen Sie die CD an die Ränder und nehmen Sie sie heraus. Fingerabdrücke und Staub an der Unterseite der CDs sind mit einem weichen Stoff sorgsam zu beseitigen. Im Unterschied zu traditionellen Speichermitteln besitzen die CDs keine Rillen, die Staubpartikeln oder Schmutz sammeln könnten, deswegen reicht ein weicher Lappen, um diese von der CD-Fläche auszuwischen.

DEUTSCH

TECHNISCHE DATEN

Audio	
Wiedergabeformat	CD/DA –MP3
CD-Typ	CD-R, CD-RW
Digital-Analog-Umformer	1-bit DAU mit 8-facher Digitalisierung
Frequenzbereich	20-20000 Hz
Abtastersprung-Verhütungssystem	45 sec (CD), 120 sec (???)
Wobbelfaktor	außer Messbereich
Zahl der Wege	2-Weg
Ausgangssignal	linearer Ausgang: 0,6 Volt (47 kOhm) Kopfhörer: 20 mW (32 Ohm)
Niederfrequenz-Verstärkung (100 Hz)	+10 dB
MP3	
Datenaustausch-Geschwindigkeit	23-384 kB/s
MP3-Standard	gemäß ISO 9660
Allgemeine Parameter	
Speisung	- 2 Batterien 1,2 V / Ni-MH - Netzadapter 4,5 V
Aufnahmeleistung	0,8 W
Abmessungen	~135 mm (L) ? 135 mm (B) ? 21 mm (H)
Gewicht (Hauptgerät ohne Batterien)	165 g

Anmerkung: technische Änderungen des Geräts im Rahmen der Produkt-Verbesserung ohne vorherige Benachrichtigung der Kunden vorbehalten.

Benutzungsdauer der Teekanne nicht weniger als 3 Jahre

Gewährleistung

Ausführliche Bedingungen der Gewährleistung kann man beim Dealer, der diese Geräte verkauft hat, bekommen. Bei beliebiger Anspruchserhebung soll man während der Laufzeit der vorliegenden Gewährleistung den Check oder die Quittung über den Ankauf vorzulegen.



Das vorliegende Produkt entspricht den Forderungen der elektromagnetischen Verträglichkeit, die in 89/336/EWG - Richtlinie des Rates und den Vorschriften 73/23/EWG über die Niederspannungsgeräte vorgesehen sind.

Портативный CD/MP3-плеер с поддержкой USB/MMC

Перед использованием устройства внимательно прочитайте данную инструкцию

ФУНКЦИИ И УПРАВЛЕНИЕ

1. Крышка отсека CD
2. Кнопка ПЕРЕХОД ВПЕРЕД/ПОИСК ПО ТРЕКУ ВПЕРЕД
3. Кнопка РЕЖИМ ВОСПРОИЗВЕДЕНИЯ
5. Кнопка ASP/DIR/NEXT
6. Кнопка ПРОГРАММИРОВАНИЕ
7. Отсек для аккумуляторных батарей
8. ЖК-дисплей
9. Кнопка СТОП/ ФУНКЦИЯ (Выключение питания)
10. Кнопка ПЕРЕХОД НАЗАД/ПОИСК ПО ТРЕКУ НАЗАД
11. Разъем для наушников
12. Индикатор зарядки аккумуляторных батарей
13. Кнопка крышки отсека CD
14. Ручка регулировки громкости
15. Разъем линейного выхода
16. Переключатель зарядки аккумуляторных батарей
17. Переключатель усиления низких частот
18. Переключатель блокировки кнопок управления
19. Разъем для сетевого адаптера
20. Разъем USB
21. Разъем для карт памяти SD/MMC

ПИТАНИЕ

Питание от сетевого адаптера (входит в комплект поставки)

1. Вставьте штекер, расположенный на конце шнура сетевого адаптера, в разъем для подключения сетевого адаптера (19).
2. Включите сетевой адаптер в электрическую розетку с напряжением переменного тока 220-230В ~ 50 Гц.

Примечания

- Если при подключении сетевого адаптера в устройстве установлены аккумуляторные батареи, прибор автоматически переключится на питание от источника переменного тока (сетевой адаптер).
- Используйте только тот сетевой адаптер, который входит в комплект. Использование других сетевых адаптеров может повредить устройство.
- Перед включением сетевого адаптера в розетку убедитесь, что напряжение в домашней электросети соответствует рабочему напряжению сетевого адаптера.
- Если отсутствует питание от переменного тока, выключите сетевой адаптер из розетки.
- Не прикасайтесь к сетевому адаптеру влажными руками.

Питание от аккумуляторных батарей

1. Отключите сетевой адаптер от розетки и от устройства.
2. Откройте отсек для аккумуляторных батарей.
3. Установите две аккумуляторных батареи Ni-MH (1,2 В 1200 мА/ч) (входят в комплект поставки), соблюдая полярность.
4. Закройте отсек для аккумуляторных батарей.
5. Установите переключатель режима зарядки батарей в положение ON для начала зарядки, при этом загорится красный индикатор зарядки аккумуляторных батарей (CHARGE).

ВНИМАНИЕ! Во избежание повреждения устройства и аккумуляторных батарей продолжительность одного цикла зарядки не должна превышать 12 часов.

Осторожно!

- Не устанавливайте в устройство одновременно аккумуляторные (Ni-MH)

РУССКИЙ

- и обычные (например, угольно-цинковые) батареи.
- Не заряжайте аккумуляторы течение 12 и более часов.

Примечания

- Если аккумуляторы заряжаются в первый раз, для их полной зарядки потребуется около 15 часов.
- Если время работы аккумуляторов значительно сократилось даже при их правильной зарядке, приобретите новый комплект аккумуляторов.

ПОДКЛЮЧЕНИЕ

Подключение к аудиосистеме

Подключите стереокабель (не входит в комплект поставки) к разъему линейного выхода устройства LINE OUT (15) и к разъему аудиосистемы CD/AUX.

Примечание: перед любым подключением плеера к аудиосистеме отключите оба устройства от сети переменного тока.

НАУШНИКИ

Подключите штекер наушников (входят в комплект поставки) к гнезду для наушников.

ВОСПРОИЗВЕДЕНИЕ CD/MP3

1. Подключите штекер наушников (входят в комплект поставки) к гнезду для наушников.
2. Нажмите кнопку крышки CD (13).
3. Установите диск этикеткой вверх.
4. Закройте крышку отсека CD.
5. Установите ручку регулировки громкости (VOLUME) (14) на минимальный уровень.
6. Нажмите кнопку ВОСПРОИЗВЕДЕНИЕ/ПАУЗА (PLAY/PAUSE) (▶ ||) (4) - устройство автоматически включится, на ЖК-дисплее появится надпись READING (СЧИТЫВАНИЕ) и начнется воспроизведение.
7. Установите желаемый уровень громкости.

8. Для паузы воспроизведения нажмите кнопку ВОСПРОИЗВЕДЕНИЕ/ПАУЗА (PLAY/PAUSE) (▶ ||) (4). Номер трека и истекшее время звучания замигают на экране. Еще раз нажмите кнопку ВОСПРОИЗВЕДЕНИЕ/ПАУЗА (PLAY/PAUSE) (▶ ||) (4) для возобновления воспроизведения.
9. Чтобы остановить воспроизведение, нажмите кнопку СТОП (STOP) (9).
10. Чтобы выключить устройство, нажмите и удерживайте кнопку СТОП (STOP) (9) более двух секунд.

CD

Нажмите кнопку ВОСПРОИЗВЕДЕНИЕ (PLAY) (▶ ||) (4) для начала воспроизведения диска.

На короткое время на ЖК-дисплее отобразится общее число треков и общее время звучания диска. Во время воспроизведения на дисплее будет появляться номер текущего трека и отображаться отсчет времени его воспроизведения.

MP3

Нажмите кнопку ВОСПРОИЗВЕДЕНИЕ/ПАУЗА (PLAY/PAUSE) (▶ ||) (4) для начала воспроизведения диска.

На короткое время на ЖК-дисплее отобразится общее количество альбомов (папок) и треков. При воспроизведении на ЖК-дисплее будет отображаться информация о воспроизводимом треке (название исполнителя, альбома, трека).

Примечание: информация о текущем треке отобразится только в случае ее присутствия на воспроизводимом диске.

Примечания

- Если во время воспроизведения оторвать крышку отсека CD (1), на ЖК-дисплее появится надпись OPEN (ОТКРЫТО).
- Нажмите кнопку СТОП (STOP) (9), прежде чем нажать кнопку крышки CD (13).

- Устройство может воспроизводить 3-дюймовые (8-сантиметровые) CD-диски без использования специального адаптера.

ПОИСК ТРЕКА ИЛИ ПОИСК ПО МУЗЫКАЛЬНОМУ ФРАГМЕНТУ (CD)

1. Нажмите кнопку ПЕРЕХОД НАЗАД/ ПОИСК ПО ТРЕКУ НАЗАД (▶ ||) (4), чтобы перейти к началу воспроизводимого трека.
2. Несколько раз нажимайте кнопку ПЕРЕХОД НАЗАД/ ПОИСК ПО ТРЕКУ НАЗАД (⏮) (10), чтобы перейти к предыдущим трекам.
3. Несколько раз нажимайте кнопку ПЕРЕХОД ВПЕРЕД/ ПОИСК ПО ТРЕКУ ВПЕРЕД (⏭) (2), чтобы перейти к следующим трекам.
4. Нажмите и удерживайте кнопку ПЕРЕХОД НАЗАД/ ПОИСК ПО ТРЕКУ НАЗАД (⏮) (10) или ПЕРЕХОД ВПЕРЕД/ ПОИСК ПО ТРЕКУ ВПЕРЕД (⏭) (2) для поиска по музыкальному фрагменту трека.

Примечание: в процессе поиска по музыкальному фрагменту трека воспроизведение будет ускоренным на малой громкости.

ПОИСК ТРЕКА (MP3)

1. Нажмите кнопку ПЕРЕХОД НАЗАД/ ПОИСК ПО ТРЕКУ НАЗАД (⏮) (10), чтобы перейти к началу воспроизводимого трека.
2. Несколько раз нажимайте кнопку ПЕРЕХОД НАЗАД/ ПОИСК ПО ТРЕКУ НАЗАД (⏮) (10), чтобы перейти к предыдущим трекам.
3. Несколько раз нажимайте кнопку ПЕРЕХОД ВПЕРЕД/ ПОИСК ПО ТРЕКУ ВПЕРЕД (⏭) (2), чтобы перейти к следующим трекам.

РЕЖИМ ПОВТОРНОГО ВОСПРОИЗВЕДЕНИЯ CD

1. Нажмите кнопку ВОСПРОИЗВЕДЕНИЕ/

ПАУЗА (PLAY/PAUSE) (▶ ||) (4) для начала воспроизведения трека.

2. Для включения режима повторного воспроизведения трека один раз нажмите кнопку РЕЖИМ (MODE) (3). На ЖК-дисплее появится значок: "◻" и трек будет воспроизведен повторно. Для выключения режима повторного воспроизведения нажмите кнопку СТОП (STOP) (9) или нажмите кнопку РЕЖИМ (MODE) (3) четыре раза, после чего значок "◻" исчезнет с ЖК-дисплея.
3. Для включения режима повторного воспроизведения диска дважды нажмите кнопку РЕЖИМ (MODE) (3). На ЖК-дисплее появится значок "◻ALL" и все треки диска будут воспроизведены повторно. Для выключения режима повторного воспроизведения всех треков диска три раза нажмите кнопку РЕЖИМ (MODE) (3), после чего значок "◻ALL" исчезнет с ЖК-дисплея.

MP3

1. Нажмите кнопку ВОСПРОИЗВЕДЕНИЕ/ ПАУЗА (PLAY/PAUSE) (▶ ||) (4) - устройство начнет воспроизведение дорожки.
2. Для включения режима повторного воспроизведения трека один раз нажмите кнопку РЕЖИМ (MODE) (3). На ЖК-дисплее появится значок: "◻" и трек будет воспроизведен повторно. Для выключения режима повторного воспроизведения нажмите кнопку СТОП (STOP) (9) или нажмите кнопку РЕЖИМ (MODE) (3) пять раз, после чего значок "◻" исчезнет с ЖК-дисплея.
3. Для включения режима повторного воспроизведения альбома (папки) два раза нажмите кнопку РЕЖИМ (MODE) (3). На ЖК-дисплее появится значок: "◻ ALBUM" и альбом (папка) будет воспроизведен повторно. Для выключения режима повторного воспроизведения нажмите кнопку СТОП (STOP) (9) или нажмите кнопку РЕЖИМ (MODE) (3) четыре раза, после

РУССКИЙ

чего значок "CD ALBUM" исчезнет с ЖК-дисплея.

- Для включения режима повторного воспроизведения диска трижды нажмите кнопку РЕЖИМ (MODE) (3). На ЖК-дисплее появится значок "CD ALL" и все треки диска будут воспроизведены повторно. Для выключения режима повторного воспроизведения всех треков диска три раза нажмите кнопку РЕЖИМ (MODE) (3), после чего значок "CD ALL" исчезнет с ЖК-дисплея.

ВОСПРОИЗВЕДЕНИЕ В РЕЖИМЕ ОЗНАКОМЛЕНИЯ

- Нажмите кнопку СТОП (STOP) (9).
- Нажмите кнопку РЕЖИМ (MODE) (3) три раза для включения режима ознакомления, при этом на дисплее появится надпись INTRO (ОЗНАКОМЛЕНИЕ).
- Нажмите кнопку ВОСПРОИЗВЕДЕНИЕ/ ПАУЗА (PLAY/PAUSE) (▶ ||) (4), каждый трек на диске будет воспроизводиться в течение 10 секунд.
- Нажмите кнопку РЕЖИМ (MODE) (3) два раза для отмены режима ознакомления и возвращения к обычному режиму воспроизведения.

MP3

- Нажмите кнопку СТОП (STOP) (9).
- Нажмите кнопку РЕЖИМ (MODE) (3) четыре раза для включения режима ознакомления, при этом на дисплее появится надпись INTRO (ОЗНАКОМЛЕНИЕ).
- Нажмите кнопку ВОСПРОИЗВЕДЕНИЕ/ ПАУЗА (PLAY/PAUSE) (▶ ||) (4), каждый трек на диске будет воспроизводиться в течение 10 секунд.
- Нажмите кнопку РЕЖИМ (MODE) (3) два раза для отмены режима ознакомления и возвращения к обычному режиму воспроизведения.

ВОСПРОИЗВЕДЕНИЕ В СЛУЧАЙНОМ ПОРЯДКЕ CD

- Нажмите кнопку СТОП (STOP) (9).
- Нажмите кнопку РЕЖИМ (MODE) (3) четыре раза для включения режима случайного воспроизведения, при этом на дисплее появится надпись RAND (СЛУЧАЙНЫЙ ПОРЯДОК). Затем нажмите кнопку ВОСПРОИЗВЕДЕНИЕ/ ПАУЗА (PLAY/PAUSE) (▶ ||) (4), чтобы начать воспроизведение всех треков диска в случайном порядке.
- Нажмите кнопку ПЕРЕХОД ВПЕРЕД/ ПОИСК ПО ТРЕКУ ВПЕРЕД (▶▶) (2) для перехода к следующему, случайно выбранному треку.
- Нажмите кнопку РЕЖИМ (MODE) (3) один раз для возврата в режим обычного воспроизведения.

MP3

- Нажмите кнопку СТОП (STOP) (9).
- Нажмите кнопку РЕЖИМ (MODE) (3) пять раз для включения режима случайного воспроизведения, при этом на дисплее появится надпись RAND (СЛУЧАЙНЫЙ ПОРЯДОК). Затем нажмите кнопку ВОСПРОИЗВЕДЕНИЕ/ ПАУЗА (PLAY/PAUSE) (▶ ||) (4), чтобы начать воспроизведение всех треков диска в случайном порядке.
- Нажмите кнопку ПЕРЕХОД ВПЕРЕД/ ПОИСК ПО ТРЕКУ ВПЕРЕД (▶▶) (2) для перехода к следующему, случайно выбранному треку.
- Нажмите кнопку РЕЖИМ (MODE) (3) один раз для возврата в режим обычного воспроизведения.

ПРОГРАММИРОВАНИЕ ВОСПРОИЗВЕДЕНИЯ CD

- Нажмите кнопку ПРОГРАММИРОВАНИЕ (PROGRAM) (3) - на ЖК-дисплее отобразится надпись PROG. 00 - номер трека, P-01 - порядковый номер трека в программе.

2. Для выбора нужного трека перед занесением его в программу воспроизведения нажимайте кнопку ПЕРЕХОД ВПЕРЕД/ПОИСК ПО ТРЕКУ ВПЕРЕД (▶▶) (2) или ПЕРЕХОД НАЗАД/ПОИСК ПО ТРЕКУ НАЗАД (◀◀) (10).
 3. Однократным нажатием кнопки ПРОГРАММИРОВАНИЕ (PROGRAM) (6) занесите трек в память программы воспроизведения.
 4. Повторите действия, описанные в пунктах 2 и 3, для занесения треков в память программы воспроизведения (максимум 64 трека).
 5. Чтобы начать воспроизведение запрограммированных треков, один раз нажмите кнопку ВОСПРОИЗВЕДИТЕ/ ПАУЗА (PLAY/PAUSE) (▶ ||) (4).
 6. Отмена программно воспроизведения производится нажатием кнопки СТОП (STOP) (9).
- НАЗАД (◀◀) (10) выберите желаемый трек для внесения его в программу воспроизведения.
4. Однократным нажатием кнопки ПРОГРАММИРОВАНИЕ (PGM) (6) занесите выбранный трек в программу воспроизведения.
 5. Повторите действия, описанные в пунктах 2-5, для занесения треков в память программы воспроизведения (максимум 64 трека).
 6. Чтобы начать воспроизведение запрограммированных треков, один раз нажмите кнопку ВОСПРОИЗВЕДИТЕ/ ПАУЗА (PLAY/PAUSE) (▶ ||) (4).
 7. Отмена программно воспроизведения производится нажатием кнопки СТОП (STOP) (9).

Примечание: если во время программного воспроизведения вы захотите повторно воспроизвести все запрограммированные дорожки, нажимайте кнопку РЕЖИМ (MODE) (3) до тех пор, пока на дисплее не появится индикатор "CD ALL".

MP3

1. Нажмите кнопку ПРОГРАММИРОВАНИЕ (PGM) (6). На дисплее отобразится надпись PROG. 00 - номер трека, P-01 - порядковый номер трека в программе.
2. В верхнем правом углу ЖК-дисплея замигают цифры номера альбома. С помощью кнопки ПЕРЕХОД ВПЕРЕД/ПОИСК ПО ТРЕКУ ВПЕРЕД (▶▶) (2) или ПЕРЕХОД НАЗАД/ПОИСК ПО ТРЕКУ НАЗАД (◀◀) (10) выберите альбом/папку, в котором содержится желаемый трек, после чего нажмите кнопку ПРОГРАММИРОВАНИЕ (PGM) (6).
3. С помощью кнопки ПЕРЕХОД ВПЕРЕД/ПОИСК ПО ТРЕКУ ВПЕРЕД (▶▶) (2) или ПЕРЕХОД НАЗАД/ПОИСК ПО ТРЕКУ

ПОИСК ТРЕКА ПО НАЗВАНИЮ (MP3)

Поиск по названию трека (файла)

- Нажмите кнопку ASP/DIR/NEXT (5) - в правом верхнем углу ЖК-дисплея появится символ "A", а значок "🔊" начнет мигать, означая включение режима поиска трека по названию.
- С помощью кнопки ПЕРЕХОД ВПЕРЕД/ПОИСК ПО ТРЕКУ ВПЕРЕД (▶▶) (2) или ПЕРЕХОД НАЗАД/ПОИСК ПО ТРЕКУ НАЗАД (◀◀) (10) выберите нужную букву. На ЖК-дисплее появится трек, название которого начинается с выбранного символа.
- Нажмите кнопку ВОСПРОИЗВЕДИТЕ/ПАУЗА (PLAY/PAUSE) (▶ ||) (4), после чего начнется воспроизведение выбранного трека.

Примечание: поиск трека по названию возможен только в том случае, если трек было присвоено название во время записи MP3-диска. Если диск содержит треки, обозначенные только порядковыми номерами или другими символами, поиск по названию будет невозможен.

РУССКИЙ

Поиск по названию альбома (папки)

- Нажмите кнопку ASP/DIR/NEXT (5) два раза - в правом верхнем углу ЖК-дисплея появится символ "A", а значок "01" начнет мигать, означая включение режима поиска альбома по названию.
- С помощью кнопки ПЕРЕХОД ВПЕРЕД/ПОИСК ПО ТРЕКУ ВПЕРЕД (▶) (2) или ПЕРЕХОД НАЗАД/ПОИСК ПО ТРЕКУ НАЗАД (◀) (10) выберите нужную букву. На ЖК-дисплее появится альбом, название которого начинается с выбранного символа.
- Нажмите кнопку ВОСПРОИЗВЕДЕНИЕ/ПАУЗА (PLAY/PAUSE) (▶ ||) (4), после чего начнется воспроизведение выбранного альбома.

Примечание: поиск трека по названию возможен только том в случае, если альбому (папке) было присвоено название во время записи MP3-диска. Если диск содержит альбомы (папки), обозначенные только порядковыми номерами или другими символами, поиск по названию будет невозможен.

ОСОБЫЕ ФУНКЦИИ

Усиление низких частот (BASS BOOST)

Установите переключатель усиления низких частот (17) в положение ON для усиления звучания низких частот.

Примечание: поскольку звучание низких частот зависит от уровня громкости, при высокой громкости звучания звук может искажаться.

Уменьшите уровень громкости или установите переключатель усиления низких частот (17) в положение OFF.

Смена установок дисплея (при работе с MP3)

При воспроизведении трека в формате MP3 на ЖК-дисплее может быть отражена информация о воспроизведении текущего трека. Нажмите и удерживайте кнопку РЕЖИМ (MODE) (3) более двух секунд. На

дисплее отобразятся: номер альбома, номер файла и время воспроизведения. Чтобы вернуться к исходным установкам, нажмите и удерживайте кнопку РЕЖИМ (MODE) (3) более двух секунд.

Автоматическое выключение

Если после однократного нажатия кнопки СТОП (STOP) (9) прошло 60 секунд, активируется функция автоматического выключения питания и устройство автоматически выключится. При нажатии и удержании кнопки СТОП (STOP) (9) более двух секунд питание устройства выключится.

Цифровая защита от прерывания воспроизведения (ASP)

- В процессе воспроизведения устройство может подвергаться воздействию встряски и вибрации (например, при ходьбе или в движущемся автомобиле). Функция защиты от прерывания воспроизведения (ASP) позволяет предотвратить прерывание воспроизведения при воздействии ударов и вибрации.
- При нажатии кнопки ВОСПРОИЗВЕДЕНИЕ/ПАУЗА (PLAY/PAUSE) (4) на ЖК-дисплее начнет мигать значок ASP. Мигание значка ASP прекратится, когда буфер памяти данных будет полностью заполнен.
- Если устройство находится под непрерывным воздействием встряски или вибрации более 45 секунд (при воспроизведении CD-дисков) или более 120 секунд (при воспроизведении MP3-дисков), возможно прерывание воспроизведения в течение нескольких секунд. Воспроизведение возобновится, как только исчезнет воздействие встряски и вибрации.
- Чтобы отключить функцию защиты от прерывания воспроизведения (ASP),

нажмите кнопку ASP один раз (возможно только при воспроизведении CD-дисков).

Примечание

При включенной функции защиты от прерывания воспроизведения (ASP) диск вращается быстрее, чем при обычном воспроизведении, т.к. производится занесение данных с диска в оперативную память устройства, при этом происходит более быстрое разряжение аккумуляторных батарей. Используйте функцию защиты от прерывания воспроизведения (ASP) только при необходимости, чтобы сохранить заряд аккумуляторных батарей.

ВНИМАНИЕ! При воспроизведении MP3-дисков функция защиты от прерывания воспроизведения (ASP) постоянно включена, отключить ее невозможно.

Блокировка кнопок управления (HOLD)

Устройство оснащено блокировкой кнопок управления HOLD (18). Для блокировки кнопок управления установите переключатель блокировки в положение ON.

Разъем для карт памяти SD/MMC

В режиме остановки установите в разъем для карт памяти (21) карту типа SD или MMC, содержащую музыкальные файлы в формате MP3. При кратковременном нажатии кнопки СТОП (STOP) (9) на дисплее отобразится надпись CARD-USB, после чего произойдет чтение содержимого карты памяти MMC или SD. На ЖК-дисплее отобразится общее число MP3-файлов в карте памяти. Для начала воспроизведения нажмите кнопку ВОСПРОИЗВЕДЕНИЕ/ ПАУЗА (PLAY/PAUSE) (▶ ||) (4). Чтобы перейти к воспроизведению CD-диска, кратковременно нажмите кнопку СТОП/ФУНКЦИЯ (9) и устройство перейдет в режим CD-DISC.

Разъем USB

В режиме остановки вставьте в разъем USB (20) кабель USB (входит в комплект поставки) и подключите к нему USB флэш-карту, содержащую музыкальные файлы в формате MP3. При кратковременном нажатии кнопки СТОП (STOP) (9) на дисплее отобразится надпись CARD-USB, после чего произойдет чтение содержимого флэш-карты. На ЖК-дисплее отобразится общее число MP3-файлов в карте памяти.

Для начала воспроизведения нажмите кнопку ВОСПРОИЗВЕДЕНИЕ/ ПАУЗА (PLAY/PAUSE) (▶ ||) (4).

Чтобы перейти к воспроизведению CD-диска, кратковременно нажмите кнопку СТОП/ФУНКЦИЯ (9) и устройство перейдет в режим CD-DISC.

ОБСЛУЖИВАНИЕ

Чистка устройства

Протрите внешнюю поверхность устройства мягкой тканью, смоченной в мыльной воде.

Уход за компакт-дисками

Обращайтесь с дисками бережно. Держите диски только за края. Никогда не прикасайтесь к блестящей поверхности дисков. Не приклеивайте кусочки скотча, наклейки и др. на декоративную поверхность диска. Периодически протирайте диски мягкой (не шерстяной) сухой тканью. Никогда не используйте чистящие аэрозоли или антистатические средства для чистки дисков. В случае необходимости приобретите специальное средство для чистки компакт-дисков.

Если при воспроизведении диска наблюдаются сбои или паузы, возможно, диск загрязнен или поврежден (поцарапан). Протирайте диски от центра к наружному краю. Никогда не протирайте диск круговыми движениями. Чтобы извлечь диск из коробки для компакт-дисков, нажмите на центр коробки и извлеките диск, держа его за края. Отпечатки пальцев и пыль на

РУССКИЙ

записываемой поверхности диска следует осторожно удалять мягкой тканью. В отличие от традиционных средств записи, компакт-диски не имеют канавок, в которых скапливались бы частички пыли и грязи, поэтому чтобы удалить их с поверхности диска достаточно протереть ее мягкой тканью.

ТЕХНИЧЕСКИЕ ХАРАКТЕРИСТИКИ

<p>Аудио Поддерживаемые форматы: Поддерживаемые носители: Цифроаналоговое преобразование: Диапазон воспроизводимых частот: Защита от прерывания воспроизведения: Коэффициент детонации: Количество каналов: Выходной сигнал:</p>	<p>CD/DA - MP3 CD-R, CD-RW 1-битный ЦАП с 8-кратной дискретизацией 20-20000 Гц 45 сек.(CD), 120 сек. (MP3) За пределами измерения 2 канала Линейный выход: 0.6 В (47 кОм) Наушники: 20 мВт (32 Ом) +10 дБ</p>
<p>Усиление низких частот (100 Гц):</p>	
<p>MP3 Скорость потока данных: Воспроизведение MP3:</p>	<p>23-384 кб/с Стандарт, соответствующий ISO9660</p>
<p>Общие параметры Питание:</p>	<p>- 2 аккумуляторные батареи 1.2В/ Ni-MH - Сетевой адаптер 4.5 В</p>
<p>Потребляемая мощность: Габариты (мм): Вес (основное устройство без аккумуляторных батарей):</p>	<p>0.8 Вт ~135 (Д) x 135 (Ш) x 21 (В) 165 г</p>

Производитель оставляет за собой право вносить изменения в технические характеристики устройства без предварительного уведомления покупателей.

Срок службы прибора не менее 3-х лет



Данное изделие соответствует всем требуемым европейским и российским стандартам безопасности и гигиены.

Производитель: АН-ДЕР ПРОДАКТС ГмбХ
 Нойбаугюртель 38/7А, 1070 Вена, Австрия

УКРАЇНСЬКИЙ

Портативний CD/MP3 плеєр із підтримкою USB/MMC

Перед використанням пристрою уважно прочитайте дану інструкцію

ФУНКЦІЇ Й КЕРУВАННЯ

1. Кришка відсіку CD
2. Кнопка ПЕРЕХІД УПЕРЕД/ПОШУК ПО ТРЕКУ ВПЕРЕД
3. Кнопка РЕЖИМ ВІДТВОРЕННЯ
4. Кнопка ВІДТВОРЕННЯ/ПАУЗА
5. Кнопка ASP/DIR/NEXT
6. Кнопка ПРОГРАМУВАННЯ
7. Відсік для акумуляторних батарей
8. РК-дисплей
9. Кнопка СТОП/ФУНКЦІЯ (Вимикання живлення)
10. Кнопка ПЕРЕХІД НАЗАД/ПОШУК ПО ТРЕКУ НАЗАД
11. Роз'єм для навушників
12. Індикатор зарядки акумуляторних батарей
13. Кнопка кришки відсіку CD
14. Ручка регулювання голосності
15. Роз'єм лінійного виходу
16. Перемикач зарядки акумуляторних батарей
17. Перемикач посилення низьких частот
18. Перемикач блокування кнопок керування
19. Роз'єм для мережного адаптера
20. Роз'єм USB
21. Роз'єм для карт пам'яті SD/MMC

ЖИВЛЕННЯ

Живлення від мережного адаптера (входить у комплект поставки)

1. Вставте штекер, розташований на кінці шнура мережного адаптера, у роз'єм для підключення мережного адаптера (19).
2. Включіть мережний адаптер в електричну розетку з напругою змінного струму 220-230 В ~ 50 Гц.

Примітки:

- Якщо при підключенні мережного адаптера в пристрої встановлені акумуляторні батареї, прилад автоматично переключається на живлення від джерела змінного струму (мережний адаптер).
- Використовуйте тільки вхідний у комплект мережний адаптер. Використання інших мережних адаптерів може ушкодити пристрій.
- Перед включенням мережного адаптера в розетку переконайтеся, що напруга в домашній електромережі відповідає робочій напрузі мережного адаптера.
- При відсутності живлення від змінного струму відключіть мережний адаптер із розетки.
- Не доторкайтеся до мережного адаптера вологими руками.

Живлення від акумуляторних батарей

1. Відключіть мережний адаптер від розетки й від пристрою.
2. Відкрийте відсік для акумуляторних батарей.
3. Установіть дві акумуляторні батареї Ni-MH (1.2В 1200 мА/год) (входять у комплект поставки), дотримуючи при цьому полярність.
4. Закрийте відсік для акумуляторних батарей.
5. Установіть перемикач режиму зарядки батарей у положення ON для початку зарядки, при цьому загориться червоний індикатор зарядки акумуляторних батарей (CHARGE).

УВАГА: щоб уникнути ушкодження пристрою й акумуляторних батарей, тривалість одного циклу зарядки не повинна перевищувати 12 годин.

Обережно:

- Не встановлюйте в пристрій одночасно

УКРАЇНСЬКИЙ

- акумуляторні (Ni-MH) і звичайні (наприклад, вугільно-цинкові) батареї.
- Не заряджайте акумулятори протягом 12 і більше годин.

Примітки:

- Якщо акумулятори заряджаються в перший раз, для їхньої повної зарядки буде потрібно близько 15 годин.
- Якщо час роботи акумуляторів значно скоротився навіть при їхній правильній зарядці, придбайте новий комплект акумуляторів.

ПІДКЛЮЧЕННЯ

Підключення до аудіо системи

Підключіть стерео кабель (не входить у комплект поставки) до роз'єма лінійного виходу пристрою LINE OUT (15) і до роз'єма аудіосистеми CD/AUX.

Примітка: Перед будь-яким підключенням плеєра до аудіо системи відключіть обидва пристрої від мережі змінного струму.

НАВУШНИКИ

Підключіть штекер навушників (входять у комплект поставки) до гнізда для навушників.

ВІДТВОРЕННЯ CD/MP3

1. Підключіть штекер навушників (входять у комплект поставки) до гнізда для навушників
2. Натисніть кнопку кришки CD (13).
3. Установіть диск етикеткою нагору.
4. Закрийте кришку відсіку CD.
5. Установіть ручку регулювання голосності (VOLUME) (14) на мінімальний рівень.
6. Натисніть кнопку ВІДТВОРЕННЯ/ПАУЗА (PLAY/PAUSE) (▶ II) (4), пристрій автоматично включиться, на РК-дисплеї з'явиться напис "READING" ("ЗЧИТУВАННЯ") і почне відтворення.

7. Установіть бажаний рівень голосності.
8. Для паузи відтворення натисніть кнопку ВІДТВОРЕННЯ/ПАУЗА (PLAY/PAUSE) (▶ II) (4). Номер треку й минулий час звучання замигають на екрані. Ще раз натисніть кнопку ВІДТВОРЕННЯ/ПАУЗА (PLAY/PAUSE) (▶ II) (4) для поновлення відтворення.
9. Щоб зупинити відтворення, натисніть кнопку СТОП (STOP) (9).
10. Щоб виключити пристрій, натисніть і втримуйте кнопку СТОП (STOP) (9) більше 2 секунд.

CD

Натисніть кнопку ВІДТВОРЕННЯ (PLAY) (4) для початку відтворення диска. На короткий час на РК-дисплеї відобразиться загальне число треків і загальний час звучання диска. Під час відтворення на дисплеї з'являється номер поточного треку й відлік часу його відтворення.

MP3

Натисніть кнопку ВІДТВОРЕННЯ/ПАУЗА (PLAY/PAUSE) (▶ II) (4) для початку відтворення диска. На короткий час на РК-дисплеї відобразиться загальна кількість альбомів (папок) і треків. При відтворенні на РК-дисплеї відобразиться інформація про відтворений трек (назва виконавця, альбому, треку).

Примітка: Інформація про поточний трек відобразиться тільки у випадку її присутності на відтвореному диску.

Примітки:

- Якщо під час відтворення відрити кришку відсіку CD (1), на РК-дисплеї з'явиться напис "OPEN" ("ВІДКРИТЕ").
- Натисніть кнопку СТОП (STOP) (9), перш ніж натиснути кнопку кришки CD (13).
- Пристрій може відтворювати 3-дюймові (8-сантиметрові) CD-диски

без використання спеціального адаптера.

ПОШУК ТРЕКУ АБО ПОШУК ПО МУЗИЧНОМУ ФРАГМЕНТУ (CD)

1. Натисніть кнопку ПЕРЕХІД НАЗАД/ПОШУК ПО ТРЕКУ НАЗАД (⏮) (10), щоб перейти до початку відтвореного треку.
2. Кілька разів натискайте кнопку ПЕРЕХІД НАЗАД/ПОШУК ПО ТРЕКУ НАЗАД (4), щоб перейти до попередніх треків.
3. Кілька разів натискайте кнопку ПЕРЕХІД УПЕРЕД/ПОШУК ПО ТРЕКУ ВПЕРЕД (⏭) (2), щоб перейти до наступних треків.
4. Натисніть і втримуйте кнопку ПЕРЕХІД НАЗАД/ПОШУК ПО ТРЕКУ НАЗАД (⏮) (10), або ПЕРЕХІД УПЕРЕД/ПОШУК ПО ТРЕКУ ВПЕРЕД (⏭) (2) для пошуку по музичному фрагменту треку.

Примітка: у процесі пошуку по музичному фрагменту треку відтворення буде прискореним на малій гучності.

ПОШУК ТРЕКУ (MP3)

1. Натисніть кнопку ПЕРЕХІД НАЗАД/ПОШУК ПО ТРЕКУ НАЗАД (⏮) (10), щоб перейти до початку відтвореного треку.
2. Кілька разів натискайте кнопку ПЕРЕХІД НАЗАД/ПОШУК ПО ТРЕКУ НАЗАД (4) (10), щоб перейти до попередніх треків.
3. Кілька разів натискайте кнопку ПЕРЕХІД УПЕРЕД/ПОШУК ПО ТРЕКУ ВПЕРЕД (⏭) (2), щоб перейти до наступних треків.

РЕЖИМ ПОВТОРНОГО ВІДТВОРЕННЯ CD

1. Натисніть кнопку ВІДТВОРЕННЯ/ПАУЗА (PLAY/PAUSE) (▶ ||) (4) для початку відтворення треку.
2. Для включення режиму повторного

відтворення треку один раз натисніть кнопку РЕЖИМ (MODE) (3). На РК-дисплеї з'явиться значок: "☐" і трек буде відтворений повторно. Для вимикання режиму повторного відтворення натисніть кнопку СТОП (STOP) (9) або натисніть кнопку РЕЖИМ (MODE) (3) чотири рази, після чого значок "☐" зникне із РК-дисплея.

3. Для включення режиму повторного відтворення диска, двічі натисніть кнопку РЕЖИМ (MODE) (3). На РК-дисплеї з'явиться значок "☐" і всі треки диска будуть відтворені повторно. Для вимикання режиму повторного відтворення всіх треків диска три рази натисніть кнопку РЕЖИМ (MODE) (3), після чого значок "☐" зникне із РК-дисплея.

MP3

1. Натисніть кнопку ВІДТВОРЕННЯ/ПАУЗА (PLAY/PAUSE) (▶ ||) (4), і пристрій почне відтворення доріжки.
2. Для включення режиму повторного відтворення треку один раз натисніть кнопку РЕЖИМ (MODE) (3). На РК-дисплеї з'явиться значок: "☐" і трек буде відтворений повторно. Для вимикання режиму повторного відтворення натисніть кнопку СТОП (STOP) (9) або натисніть кнопку РЕЖИМ (MODE) (3) п'ять разів, після чого значок "☐" зникне із РК-дисплея.
3. Для включення режиму повторного відтворення альбому (папки) два рази натисніть кнопку РЕЖИМ (MODE) (3). На РК-дисплеї з'явиться значок: "☐ ALBUM" і альбом (папка) буде відтворений повторно. Для вимикання режиму повторного відтворення натисніть кнопку СТОП (STOP) (9) або натисніть кнопку РЕЖИМ (MODE) (3) чотири рази, після чого значок ☐ ALBUM зникне із РК-дисплея.
4. Для включення режиму повторного відтворення диска тричі натисніть

УКРАЇНСЬКИЙ

кнопку РЕЖИМ (MODE) (3). На РК-дисплеї з'явиться значок "CDALL" і всі треки диска будуть відтворені повторно. Для вимикання режиму повторного відтворення всіх треків диска три рази натисніть кнопку РЕЖИМ (MODE) (3), після чого значок "CDALL" зникне із РК-дисплея.

ВІДТВОРЕННЯ В РЕЖИМІ ОЗНАЙОМЛЕННЯ CD

1. Натисніть кнопку СТОП (STOP) (9).
2. Натисніть кнопку РЕЖИМ (MODE) (3) три рази для включення режиму ознайомлення, при цьому на дисплеї з'явиться напис "INTRO" ("ОЗНАЙОМЛЕННЯ").
3. Натисніть кнопку ВІДТВОРЕННЯ/ПАУЗА (PLAY/PAUSE) (4), кожний трек на диску буде відтворюватися протягом 10 секунд.
4. Натисніть кнопку РЕЖИМ (MODE) (3) два рази для скасування режиму ознайомлення й повернення до звичайного режиму відтворення.

MP3

1. Натисніть кнопку СТОП (STOP) (9).
2. Натисніть кнопку РЕЖИМ (MODE) (3) чотири рази для включення режиму ознайомлення, при цьому на дисплеї з'явиться напис "INTRO" ("ОЗНАЙОМЛЕННЯ").
3. Натисніть кнопку ВІДТВОРЕННЯ/ПАУЗА (PLAY/PAUSE) (▶ ||) (4), кожний трек на диску буде відтворюватися протягом 10 секунд.
4. Натисніть кнопку РЕЖИМ (MODE) (3) два рази для скасування режиму ознайомлення й повернення до звичайного режиму відтворення.

ВІДТВОРЕННЯ У ВИПАДКОВОМУ ПОРЯДКУ CD

1. Натисніть кнопку СТОП (STOP) (9).

2. Натисніть кнопку РЕЖИМ (MODE) (3) чотири рази для включення режиму випадкового відтворення, при цьому на дисплеї з'явиться напис "RAND" ("ВИПАДКОВИЙ ПОРЯДОК"). Потім натисніть кнопку ВІДТВОРЕННЯ/ПАУЗА (PLAY/PAUSE) (▶ ||) (4), щоб почати відтворення всіх треків диска у випадковому порядку.
3. Натисніть кнопку ПЕРЕХІД УПЕРЕД/ПОШУК ПО ТРЕКУ ВПЕРЕД (⏪) (2) для переходу до наступного, випадково обраного треку.
4. Натисніть кнопку РЕЖИМ (MODE) (3) один раз для повернення в режим звичайного відтворення.

MP3

1. Натисніть кнопку СТОП (STOP) (9).
2. Натисніть кнопку РЕЖИМ (MODE) (3) п'ять разів для включення режиму випадкового відтворення, при цьому на дисплеї з'явиться напис "RAND" ("ВИПАДКОВИЙ ПОРЯДОК"). Потім натисніть кнопку ВІДТВОРЕННЯ/ПАУЗА (PLAY/PAUSE) (▶ ||) (4), щоб почати відтворення всіх треків диска у випадковому порядку.
3. Натисніть кнопку ПЕРЕХІД УПЕРЕД/ПОШУК ПО ТРЕКУ ВПЕРЕД (⏪) (2) для переходу до наступного, випадково обраного треку.
4. Натисніть кнопку РЕЖИМ (MODE) (3) один раз для повернення в режим звичайного відтворення.

ПРОГРАМУВАННЯ ВІДТВОРЕННЯ CD

1. Натисніть кнопку ПРОГРАМУВАННЯ (PROGRAM) (3). На РК-дисплеї відобразиться напис "PROG". 00 - номер треку, P-01 - порядковий номер треку в програмі.
2. Для вибору потрібного треку перед занесенням його в програму відтворення натискайте кнопку ПЕРЕХІД УПЕРЕД/ПОШУК ПО ТРЕКУ

УКРАЇНСЬКИЙ

- ВПЕРЕД (▶) (2) або ПЕРЕХІД НАЗАД/
ПОШУК ПО ТРЕКУ НАЗАД (◀) (10).
- Однократним натисканням кнопки ПРОГРАМУВАННЯ (PROGRAM) (6) занесіть трек у пам'ять програми відтворення.
 - Повторіть дії, описані в пунктах 2 і 3, для занесення треків у пам'ять програми відтворення (максимум 64 треки).
 - Щоб почати відтворення запрограмованих треків, один раз натисніть кнопку ВІДТВОРЕННЯ/ ПАУЗА (PLAY/PAUSE) (▶ ||) (4).
 - Скасування програмного відтворення проводиться натисканням кнопки СТОП (STOP) (9).

Примітка: Якщо під час програмного відтворення ви бажаєте повторно відтворити всі запрограмовані доріжки, натисніть кнопку РЕЖИМ (MODE) (3) доти, поки на дисплеї не з'явиться індикатор "CALL".

MP3

- Натисніть кнопку ПРОГРАМУВАННЯ (PGM) (6). На дисплеї відобразиться напис "PROG". 00 - номер треку, P-01 - порядковий номер треку в програмі
- У верхньому правому куті РК-дисплея замигають цифри номера альбому. За допомогою кнопки ПЕРЕХІД УПЕРЕД/ ПОШУК ПО ТРЕКУ ВПЕРЕД (2) або ПЕРЕХІД НАЗАД/ПОШУК ПО ТРЕКУ НАЗАД (◀) (10) виберіть альбом/папку, у якому втримується бажаний трек, після чого натисніть кнопку ПРОГРАМУВАННЯ (PGM) (6).
- За допомогою кнопки ПЕРЕХІД УПЕРЕД/ПОШУК ПО ТРЕКУ ВПЕРЕД (▶) (2) або ПЕРЕХІД НАЗАД/ПОШУК ПО ТРЕКУ НАЗАД (◀) (10) виберіть бажаний трек для внесення його в програму відтворення.
- Однократним натисканням кнопки ПРОГРАМУВАННЯ (PGM) (6) занесіть

- обраний трек у програму відтворення.
- Повторіть дії, описані в пунктах 2-5, для занесення треків у пам'ять програми відтворення (максимум 64 треки).
- Щоб почати відтворення запрограмованих треків, один раз натисніть кнопку ВІДТВОРЕННЯ/ ПАУЗИ (PLAY/PAUSE) (▶ ||) (4).
- Скасування програмного відтворення проводиться натисканням кнопки СТОП (STOP) (9).

ПОШУК ТРЕКУ ЗА НАЗВОЮ (MP3)

Пошук за назвою треку (файлу)

- Натисніть кнопку ASP/DIR/NEXT (5), при цьому в правому верхньому куті РК-дисплея з'явиться символ "A", а значок "Ⓜ" почне мигати, означаючи включення режиму пошуку треку за назвою.
- За допомогою кнопки ПЕРЕХІД УПЕРЕД/ПОШУК ПО ТРЕКУ ВПЕРЕД (▶) (2) або ПЕРЕХІД НАЗАД/ПОШУК ПО ТРЕКУ НАЗАД (◀) (10) виберіть потрібну букву. На РК-дисплеї з'явиться трек, назва якого починається з обраного символу.
- Натисніть кнопку ВІДТВОРЕННЯ/ ПАУЗА (PLAY/PAUSE) (4), після чого почнеться відтворення обраного треку.

Примітка: Пошук треку за назвою можливий тільки у випадку, якщо треку була привласнена назва під час запису MP3 диска. У випадку якщо диск утримує треки, позначені тільки порядковими номерами або іншими символами, пошук за назвою буде неможливий.

Пошук за назвою альбому (папки)

- Натисніть кнопку ASP/DIR/NEXT (5) два рази, при цьому в правому верхньому куті РК-дисплея з'явиться символ "A", а значок "Ⓜ01" почне мигати, означаючи включення режиму пошуку альбому за назвою.

УКРАЇНСЬКИЙ

- За допомогою кнопки ПЕРЕХІД УПЕРЕД/ПОШУК ПО ТРЕКУ ВПЕРЕД (►) (2) або ПЕРЕХІД НАЗАД/ПОШУК ПО ТРЕКУ НАЗАД (10) виберіть потрібну букву. На РК-дисплеї з'явиться альбом, назва якого починається з обраного символу.
- Натисніть кнопку ВІДТВОРЕННЯ/ПАУЗА (PLAY/PAUSE) (▶ II) (4), після чого почнеся відтворення обраного альбому.

Примітка: Пошук треку за назвою можливий тільки у випадку, якщо альбому (папці) була привласнена назва під час запису МРЗ диска. У випадку якщо диск утримує альбому (папки), позначені тільки порядковими номерами або іншими символами, пошук за назвою буде неможливий.

ОСОБЛИВІ ФУНКЦІЇ

Посилення низьких частот (BASS BOOST)
Установіть перемикач посилення низьких частот (17) у положення "ON" для посилення звучання низьких частот.

Примітка: Оскільки звучання низьких частот залежить від рівня голосності, при високій голосності звучання звук може спотворюватися. Зменште рівень голосності або встановіть перемикач посилення низьких частот (17) у положення "OFF".

Зміна установок дисплея (при роботі із МРЗ)

При відтворенні треку у форматі МРЗ на РК-дисплеї може бути відображена інформація про відтворення поточного треку. Натисніть і втримуйте кнопку РЕЖИМ (MODE) (3) більше 2 секунд. На дисплеї відобразяться номер альбому, номер файлу й час відтворення. Щоб повернутися до вихідних установок, натисніть і втримуйте кнопку РЕЖИМ (MODE) (3) більше 2 секунд.

Автоматичне вимикання

Якщо після однократного натискання кнопки СТОП (STOP) (9) пройшло 60 секунд, активується функція автоматичного вимикання живлення й пристрій автоматично вимкочиться. При натисканні й утриманні кнопки СТОП (STOP) (9) більше 2 секунд, живлення пристрою вимкочиться.

Цифровий захист від переривання відтворення (ASP)

- У процесі відтворення пристрій може піддаватися впливу струсу й вібрації (наприклад, при ходьбі або в автомобілі, що рухається). Функція захисту від переривання відтворення (ASP) дозволяє запобігти перериванням відтворення при впливі ударів і вібрації.
- При натисканні кнопки ВІДТВОРЕННЯ/ПАУЗА (PLAY/PAUSE) (▶ II) (4) на РК-дисплеї почне мигати значок "ASP". Миготіння значка "ASP" припиниться, коли буфер пам'яті даних повністю заповнений.
- Якщо пристрій знаходиться під впливом струсу або вібрації більше 45 секунд (при відтворенні CD-дисків) або більше 120 секунд (при відтворенні МРЗ-дисків), можливе переривання відтворення протягом декількох секунд. Відтворення відновиться, як тільки припиниться вплив струсу й вібрації.
- Щоб відключити функцію захисту від переривання відтворення (ASP), натисніть кнопку ASP один раз (можливо тільки при відтворенні CD-дисків).

Примітки:

При включеній функції захисту від переривання відтворення (ASP) диск обертається швидше, ніж при звичайному відтворенні, тому що провадиться занесення даних із диска в оперативну

УКРАЇНСЬКИЙ

пам'ять пристрою, при цьому відбувається більш швидке розрядження акумуляторних батарей. Використовуйте функцію захисту від переривання відтворення (ASP) тільки при необхідності, щоб зберегти заряд акумуляторних батарей.

УВАГА: При відтворенні MP3-дисків функція захисту від переривання відтворення (ASP) постійно включена, і відключити її неможливо.

Блокування кнопок керування (HOLD)
Пристрій постачений блокуванням кнопок керування HOLD (18). Для блокування кнопок керування встановіть перемикач блокування в положення "ON".

Роз'єм для карт пам'яті SD/MMC
У режимі зупинки встановіть у роз'єм для карт пам'яті (21) карту типу SD або MMC, що містить музичні файли у форматі MP3. При короткочасному натисканні кнопки **СТОП (STOP)** (9) на дисплеї відобразиться напис "CARD-USB", після чого відбудеться читання вмісту карти пам'яті MMC або SD". На РК-дисплеї відобразиться загальне число MP3-файлів у карті пам'яті. Для початку відтворення натисніть кнопку **ВІДТВОРЕННЯ/ПАУЗА (PLAY/PAUSE)** (▶ ||) (4). Щоб перейти до відтворення CD-диска, короткочасно натисніть кнопку **СТОП/ФУНКЦІЯ** (9) і пристрій перейде в режим "CD-DISC".

Роз'єм USB
У режимі зупинки вставте в роз'єм USB (20) кабель USB (входить у комплект поставки) і підключіть до нього USB флеш-карту, що містить музичні файли у форматі MP3. При короткочасному натисканні кнопки **СТОП (STOP)** (9) на дисплеї відобразиться напис "CARD-USB", після чого відбудеться читання вмісту флеш-карти. На РК-дисплеї

відобразиться загальне число MP3-файлів у карті пам'яті. Для початку відтворення натисніть кнопку **ВІДТВОРЕННЯ/ПАУЗА (PLAY/PAUSE)** (▶ ||) (4). Щоб перейти до відтворення CD-диска, короткочасно натисніть кнопку **СТОП/ФУНКЦІЯ** (9) і пристрій перейде в режим "CD-DISC".

ОБСЛУГОВУВАННЯ

Чищення пристрою

Протирайте зовнішню поверхню пристрою м'якою ганчіркою, змоченою в мильній воді.

Догляд за компакт-дисками

Поводьтеся з дисками дбайливо. Тримайте диски тільки за краї. Ніколи не доторкайтеся до блискучої поверхні дисків. Не приклеюйте шматочки скотча, наклейки й ін. на декоративну поверхню диска. Періодично протирайте диски м'якою (не вовняною) сухою тканиною. Ніколи не використовуйте аерозолі, що чистять, або антистатичні засоби для чищення дисків. Якщо буде потреба, придбайте спеціальний засіб для чищення компакт-дисків. Якщо при відтворенні диска спостерігаються збої або паузи, можливо, диск забруднений або ушкоджений (подряпанний). Протирайте диски від центра до зовнішнього краю. Ніколи не протирайте диск круговими рухами. Щоб витягти диск із коробки для компакт-дисків, натисніть на центр коробки й витягніть диск, тримаючи його за краї. Відбитки пальців і пил на записуваній поверхні диска варто обережно видаляти м'якою тканиною. На відміну від традиційних засобів запису, компакт-диски не мають каналок, у яких накопичувалися би часточки пилу й бруду, тому щоб видалити їх із поверхні диска досить протерти її м'якою тканиною.

УКРАЇНСЬКИЙ

ТЕХНІЧНІ ХАРАКТЕРИСТИКИ

Аудіо	
Підтримувані формати	CD/DA -MP3
Підтримувані носії	CD-R, CD-RW
Цифро-аналогове перетворення	1-бітний ЦАП з 8-кратною дискретизацією
Діапазон відтворених частот	20-20000 Гц
Захист від переривання відтворення	45 сек. (CD), 120 сек. (MP3)
Коефіцієнт детонації	За межами виміру
Кількість каналів	2 канали
Вихідний сигнал	Лінійний вихід: 0.6Вольт (47 кОм) Навушники: 20мВт (32 Ом)
Посилення низьких частот (100 Гц)	+10 дБ
MP3	
Швидкість потоку даних	23-384 кб/с
Відтворення MP3	Стандарт відповідний ISO9660
Загальні параметри	
Живлення	- 2 акумуляторні батареї 1.2В/ Ni-MH - Мережний адаптер 4.5.В
Споживана потужність	0.8 Вт
Габарити	~135 мм (Д) x 135 мм (Ш) x 21 мм (В)
Вага (основний пристрій без акумуляторних батарей)	165 г.

Примітка: у процесі постійного вдосконалення продукції виробник залишає за собою право вносити зміни в технічні характеристики пристрою без попереднього повідомлення покупців.

Термін служби приладу не менш 3 років

Гарантія

Докладні умови гарантії можна отримати в дилера, що продав дану апаратуру. При пред'явленні будь-якої претензії протягом терміну дії даної гарантії варто пред'явити чек або квитанцію про покупку.



Даний виріб відповідає вимогам до електромагнітної сумісності, що пред'являються директивою 89/336/ЄЕС Ради Європи й розпорядженням 73/23 ЄЕС по низьковольтних апаратурах.

