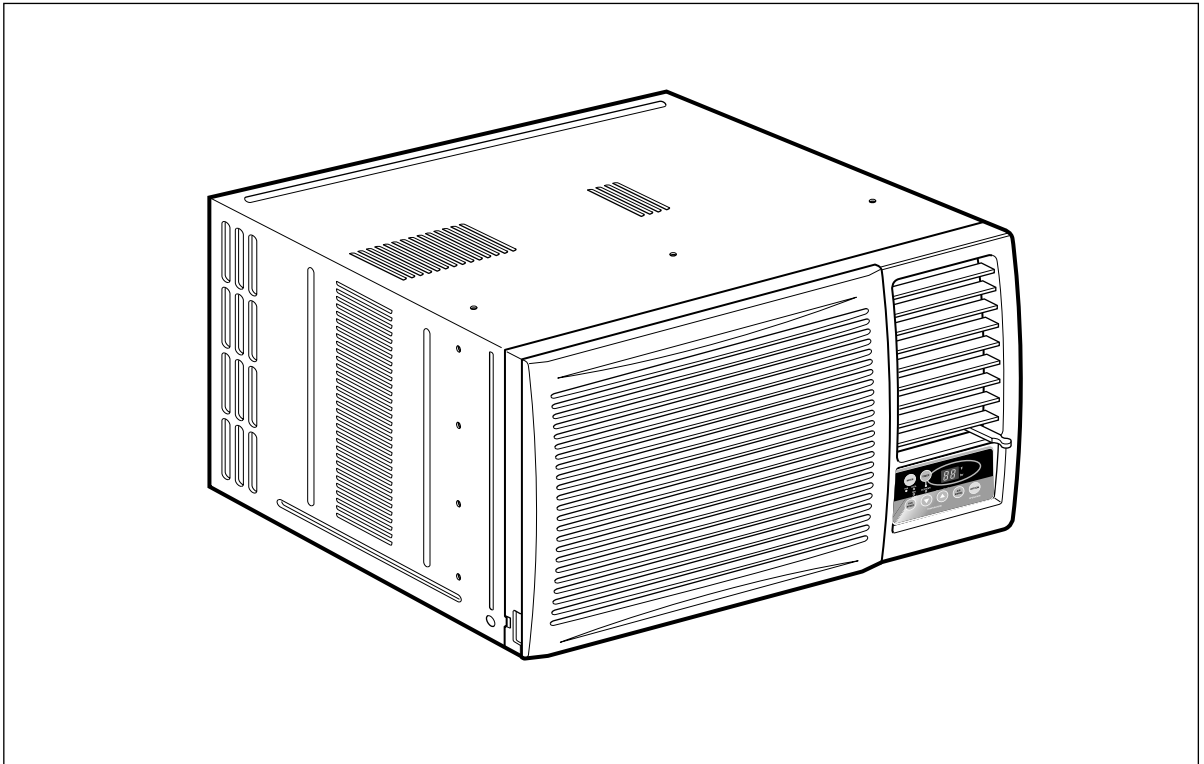


# Panasonic®

## Room Air Conditioner

### INSTALLATION AND OPERATING INSTRUCTIONS

Models: **CW-XC184HU**  
**CW-XC244HU**



Please read these operating instructions thoroughly before using your air conditioner and keep for future reference.

For assistance, please call: 1-800-211-PANA(7262) or  
Register your product at : <http://www.panasonic.com/register>

**Safety Precautions**

Safety Precautions .....3

**About the Controls on the Air Conditioner**

Controls .....5  
 Ventilation .....6  
 Air Direction .....6  
 How to Secure Drain Pipe ....6

**Care and Maintenance**

Air Filter Cleaning .....7  
 How to Insert Batteries .....7

**Features**

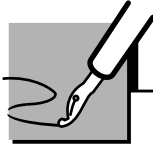
Features .....8

**Installation**

How to Install the Unit .....9  
 Window Requirements .....9  
 Installation Kit Contents ...10  
 Suggested Tool Requirements .....11  
 Cabinet Installation .....12  
 Electrical Data .....14  
 Electrical Safety .....14

**Before you call for service...**

Normal Operation .....15  
 Abnormal Operation .....15



**FOR YOUR RECORDS**

Staple your receipt to this page in case you need it later.  
 Write down the model and serial numbers here:

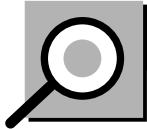
**Model #**

**Serial #**

You can find them on a label on the side of each unit.

**Dealer's Name**

**Date Purchased**



**READ THIS MANUAL**

Inside you will find many helpful hints on how to use and maintain your air conditioner properly. Just a little preventive care on your part can save you a great deal of time and money over the life of your air conditioner.

You'll find many answers to common problems in the chart of troubleshooting tips. If you review our chart of **Troubleshooting Tips** first, you may not need to call for service at all.



**CAUTION**

- Contact the authorized Service technician for repair or maintenance of this unit.
- The air conditioner is not intended for use by young children or infirm persons without supervision.
- Young children should be supervised to ensure that they do not play with the air conditioner.



# Safety Precautions

To prevent injury to the user or other people and property damage, the following instructions must be followed.

■ Incorrect operation due to ignoring of instruction will cause harm or damage. The seriousness is classified by the following indications.



## WARNING

: This symbol indicates the possibility of death or serious injury.



## CAUTION

: This symbol indicates the possibility of injury or damage to property only.

■ Meanings of symbols used in this manual are as shown below.



**Be sure not to do this.**



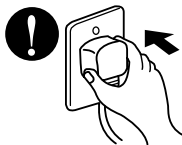
**Be sure to follow the instructions.**



## WARNING

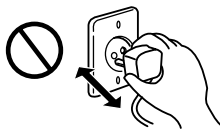
### Plug in the power plug properly.

- Otherwise, it will cause electric shock or fire due to heat generation.



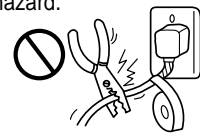
### Do not operate or stop the unit by inserting or pulling out the power plug.

- It will cause electric shock or fire due to heat generation.



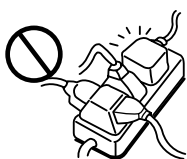
### Do not damage or use an unspecified power cord.

- It will cause electric shock or fire.
- If the power cord is damaged, it must be replaced by the manufacturer or an authorized service center or a similarly qualified person in order to avoid a hazard.



### Do not modify power cord length or share the outlet with other appliances.

- It will cause electric shock or fire due to heat generation.



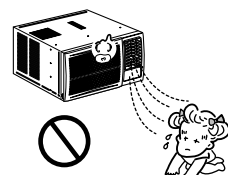
### Do not operate with wet hands or in a damp environment.

- It will cause electric shock.



### Do not direct air flow at room occupants.

- This could damage your health.

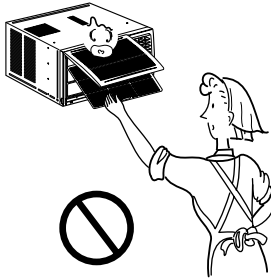




**CAUTION**

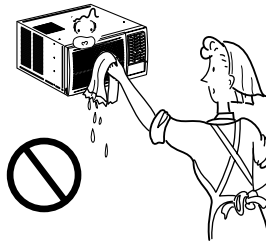
When the air filter is to be removed, do not touch the metal parts of the unit.

- It may cause an injury.



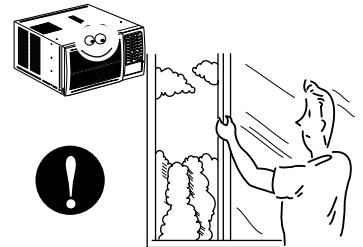
Do not clean the air conditioner with water.

- Water may enter the unit and degrade the insulation. It may cause an electric shock.



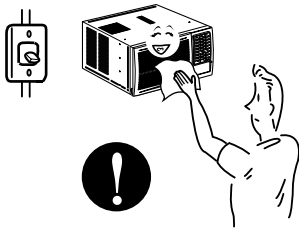
Ventilate well when used together with a stove, etc.

- An oxygen shortage may occur.



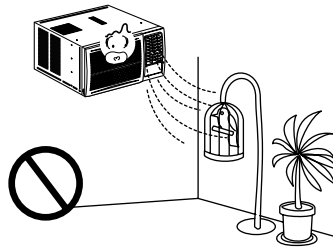
When the unit is to be cleaned, switch off, and turn off the breaker.

- Since the fan rotates at high speed during operation, it may cause an injury.



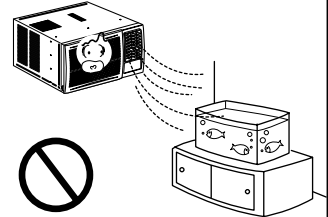
Do not put a pet or house plant where it will be exposed to direct air flow.

- This could injure the pets or plants.



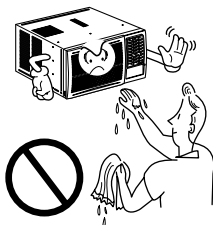
Do not use for special purposes.

- Do not use this air conditioner to preserve precision devices, food, pets, plants, and art objects. It may cause deterioration of quality, etc.



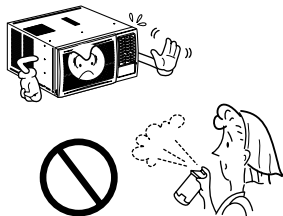
Do not operate switches with wet hands.

- It may cause an electric shock.



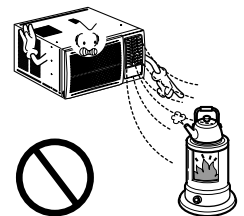
Do not apply an insecticide or flammable spray.

- It may cause a fire or deformation of the cabinet.



Do not put a heater, etc. where it is exposed to direct air flow.

- It may cause imperfect combustion.

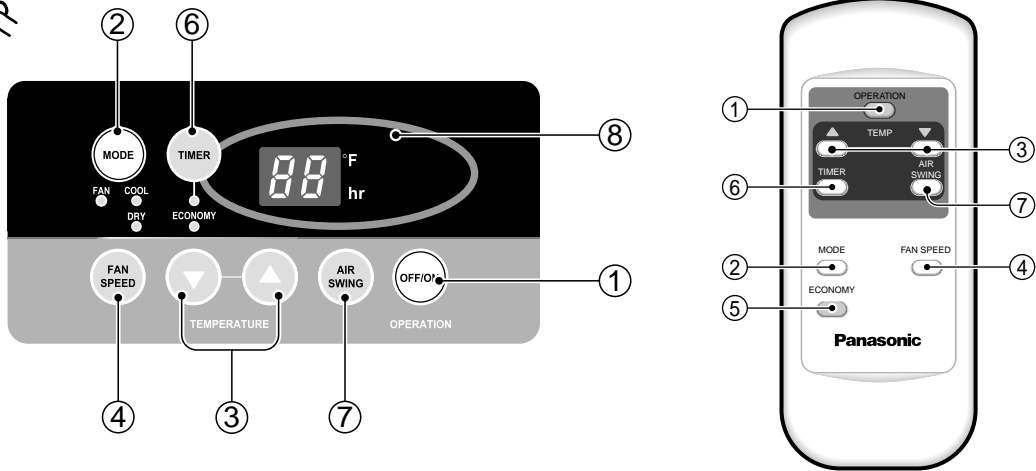


# About the Controls on the Air Conditioner



## Controls

Models: CW-XC184HU, CW-XC244HU



**Precaution:** The Remote Controller will not function properly if strong light strikes the sensor window of the air conditioner or if there are obstacles between the Remote Control unit and the air conditioner.

### 1 OPERATION BUTTON

- To turn the air conditioner ON, push the button. To turn the air conditioner OFF, push the button again.
- This button takes priority over any other buttons.
- When you first turn it on, the air conditioner is on the High cool mode and the temp. at 72°F (22°C)

### 2 OPERATION MODE SELECTION BUTTON

Every time you push this button, it will toggle between COOL, ECONOMY, FAN, DRY.

### 3 ROOM TEMPERATURE SETTING BUTTON

This button can automatically control the temperature of the room. The temperature can be set within a range of 60°F to 86°F by 1°F. (16°C to 30°C by 1°C)  
Select the lower number for lower temperature of the room.

### 4 FAN SPEED SELECTION BUTTONS

Every time you push this button, it is set as follows.  
(High(F3) → Low(F1) → Med(F2) → High(F3)...).

### 5 ECONOMY

- If you push this button, the fan stops when the compressor stops cooling. Approximately every 3 minutes the fan will turn on and check the room air to determine if cooling is needed.

### 6 ON/OFF TIMER BUTTON

You can set the time when the unit will turn on or turn off automatically by pressing the timer button. If the unit is operating, this button controls the time it will be turned off. If the unit is in off state, this button controls the time it will start. Every time you push this button, the remaining time will be set as follows.

#### - STOPPING OPERATION

- Every time you push this button, when the air conditioner is operating, timer is set as follows.  
(1Hour → 2Hours → 3Hours → 4Hours → 5Hours → 6Hours → 7Hours → 8Hours → 9Hours → 10Hours → 11Hours → 12Hours → 0Hour → 1Hour → 2Hours → ...)

- The Setting Temperature will be raised by 2°F(1°C) 30min. later and by 2°F(1°C) after another 30 min.

#### - STARTING OPERATION

- Every time you push this button, when the air conditioner is not operating, timer is set as follows. (1Hour → 2Hours → 3Hours → 4Hours → 5Hours → 6Hours → 7Hours → 8Hours → 9Hours → 10Hours → 11Hours → 12Hours → 0Hour → 1Hour → 2Hours → ...)

### 7 AIR SWING BUTTON

This button can automatically control the air flow direction.

### 8 REMOTE CONTROL SIGNAL RECEIVER

### 9 DRY

When this unit is in dry mode, the fan rotates in low speed. The fan stops when the compressor stops cooling. Approximately every 3 minutes the fan will turn on and the unit checks the room air temperature to set itself.

## Additional controls and important information.

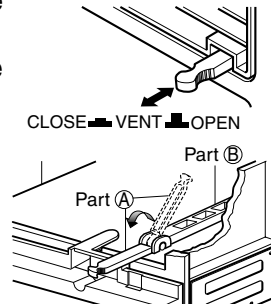
### Ventilation

The ventilation lever must be in the CLOSE position in order to maintain the best cooling conditions.

When fresh air is necessary in the room, set the ventilation lever to the OPEN position.

The damper is opened and room air is drawn out.

**NOTE:** Before using the ventilation feature, and prior to installing the front grille, pull down part (A) until level with part (B).

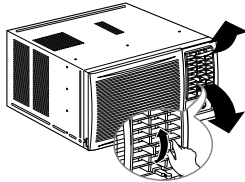


### Air Direction

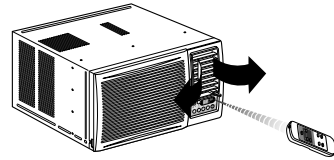
The direction of air can be controlled wherever you want to cool by adjusting the horizontal louver and the vertical louver.

#### • VERTICAL AIR-DIRECTION CONTROL

#### • HORIZONTAL AIR-DIRECTION CONTROL



The vertical air direction is adjusted by rotating the horizontal louver forward or backward manually.



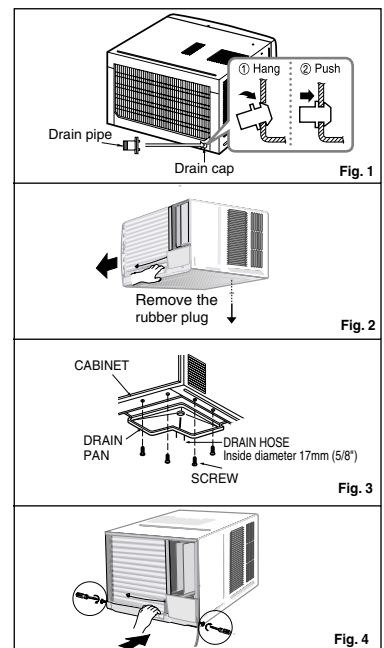
The horizontal air direction is adjusted by rotating the vertical louver right or left by Remote Controller.

### How to Secure the Drain Pipe

In humid weather, excess water may cause the BASE PAN to overflow. To drain the water, remove the DRAIN CAP and secure the DRAIN PIPE to the rear hole of the BASE PAN. Press the drain pipe into the hole by pushing down and away from the fins to avoid injury. (See Fig.1)

#### Optional(CW3H02502C)

1. Remove the rubber plug and slide the chassis out from the cabinet. (See Fig.2)
2. Install the drain pan over the corner of the cabinet where you removed the plug with 4 screws. (See Fig.3)
3. Connect the drain hose to the outlet located at the bottom of the drain pan. You can purchase the drain hose or tubing locally to satisfy your particular needs. (Drain hose is not supplied). (See Fig.3)
4. Select the most appropriate connection from among the figures to the right (by considering the hole of the unit) to fit drain pan to your own unit. (See Fig.3)
5. Slide the chassis back into the cabinet. Reinstall the cabinet screws. Secure the cabinet to chassis by using screws. (See Fig.4)



# Care and Maintenance

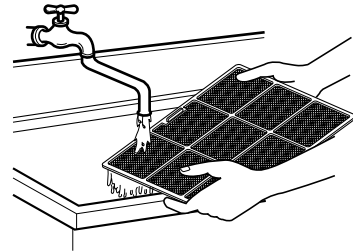
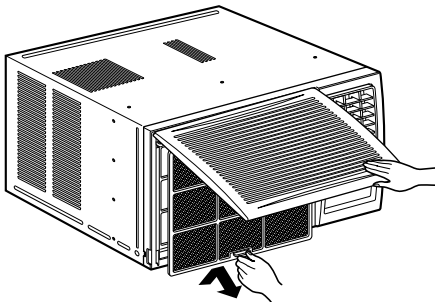
TURN THE AIR CONDITIONER OFF AND REMOVE THE PLUG FROM THE POWER OUTLET.

## Air Filter Cleaning

The air filter behind the front grille should be checked and cleaned at least once every 2 weeks or more often if necessary.

### TO REMOVE:

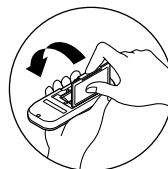
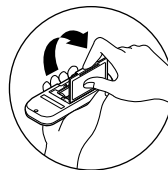
1. Open the inlet grille upward by pulling out the bottom of the inlet grille or downward by pulling out the top of the inlet grille.
2. Using the tab, pull up slightly on the filter to release it and pull it down or up.
3. Clean the filter with warm, soapy water below 40°C (104°F).
4. Rinse and gently shake the water from the filter and let it dry before replacing it.



**CAUTION:** DO NOT operate the air conditioner without a filter because dirt and lint will clog it and reduce performance.

## How to insert batteries

1. Remove the cover from the back of the remote controller.
2. Insert two AAA dry cell batteries.
  - Be sure that the (+) and (-) directions are correct.
  - Be sure that both batteries are new.
3. Re-attach the cover.

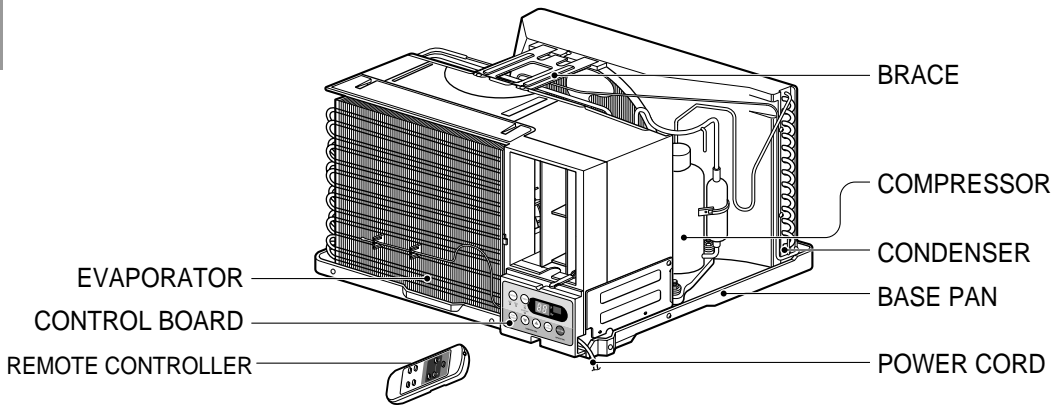
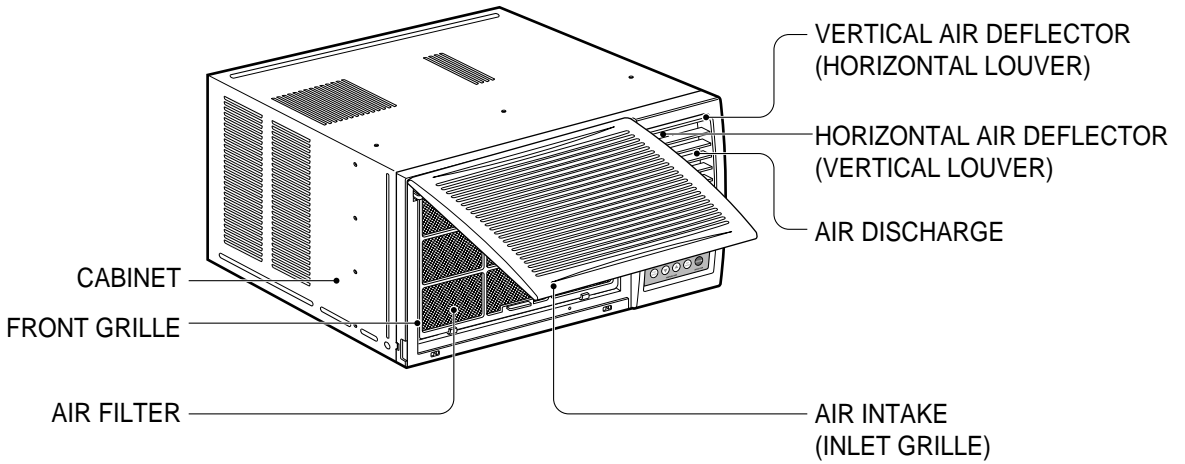


- Do not use rechargeable batteries. Such batteries differ from standard dry cells in shape, dimensions, and performance.
- Remove the batteries from the remote controller if the air conditioner is not going to be used for an extended length of time.

# Features

Learning parts name prior to installation will help you understand the installation procedure.

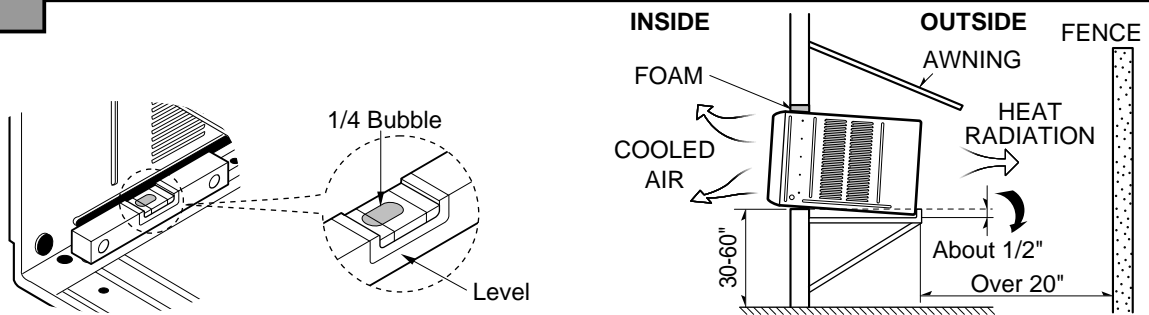
## Features





# Installation

## How to Install the Unit



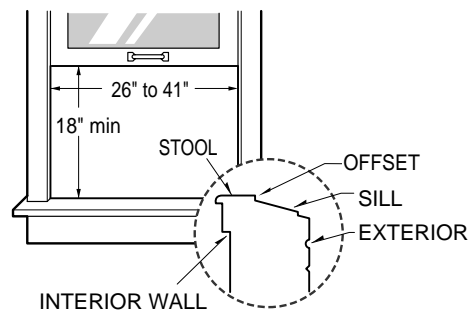
1. To avoid vibration and noise, make sure the unit is installed securely and firmly.
2. Install the unit where the sunlight does not shine directly on the unit.  
If the unit receives direct sunlight, build an awning to shade the cabinet.
3. There should be no obstacle, like a fence, within 20" which might restrict heat radiation from the condenser.
4. To prevent reducing performance, install the unit so that louvers of the cabinet are not blocked.
5. Install the unit a little obliquely outward to avoid leaking the condensed water into the room (about 1/2" or 1/4 bubble with level).
6. Install the unit with its bottom portion 30~60" above the floor level.
7. Stuff the foam between the top of the unit and the wall to prevent air and insects from getting into the room.
8. The power cord must be connected to an independent circuit. The green wire must be grounded.
9. Connect the drain tube to the base pan hole in the rear side if you need to drain (consult a dealer.)  
Plastic hose or equivalent may be connected to the drain tube.

## Window Requirements

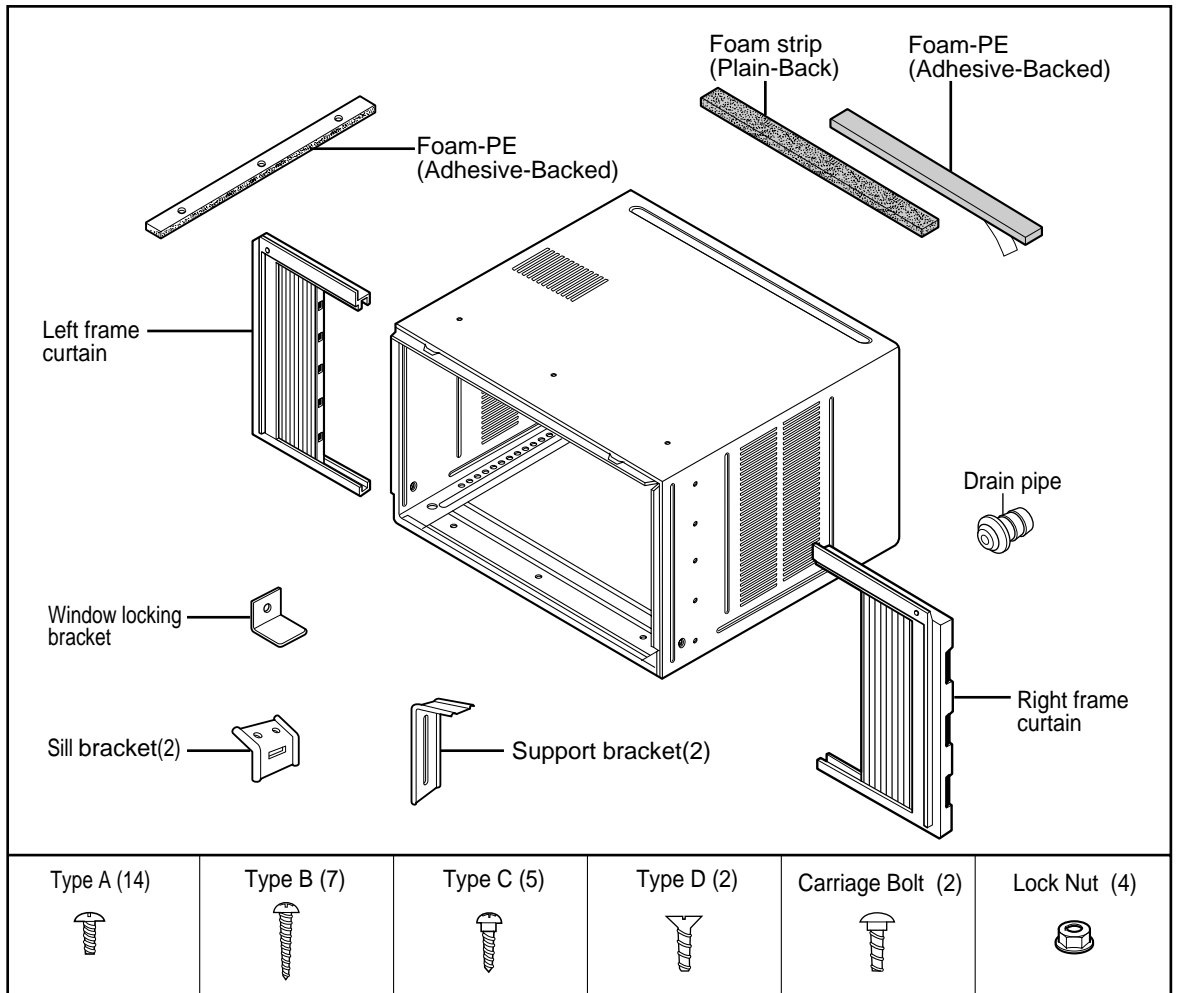
NOTE: All supporting parts should be secured to firm wood, masonry, or metal.

### WINDOW REQUIREMENTS

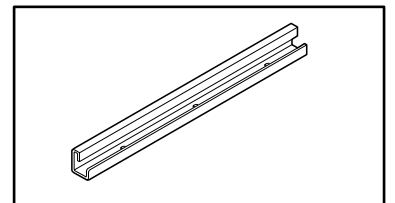
1. This unit is designed for installation in standard double hung windows with actual opening widths from 26" to 41".  
The top and bottom window sashes must open sufficiently to allow a clear vertical opening of 18" from the bottom of the upper sash to the window stool.
2. The stool offset (height between the stool and sill) must be less than 1 1/4".



## Installation Kits Contents



■ Top retainer bar is in product package.



## Suggested Tool Requirements

**SCREWDRIVER(+, -), RULER, KNIFE, HAMMER, PENCIL, LEVEL**

### PREPARATION OF CHASSIS

1. Remove the screws which fasten the cabinet at both sides and at the back.(See Fig.1)
2. Slide the unit out from the cabinet by gripping the base pan handle and pulling forward while bracing the cabinet.(See Fig.2)
3. Cut the window sash seal to the proper length. Peel off the backing and attach the Foam-PE to the underside of the window sash.(See Fig.3)
4. Remove the backing from Foam-PE with 3 holes and attach it to the bottom of the Top retainer bar.(See Fig.3)
5. Attach the Top retainer bar the top of the cabinet with 3 screws (Type A).(See Fig.4)
6. Insert the Frame Curtain into the Top retainer bar and Lower guide.(See Fig.4)
7. Fasten the curtains to the unit with 10 screws (Type A) at both sides.(See Fig.4)

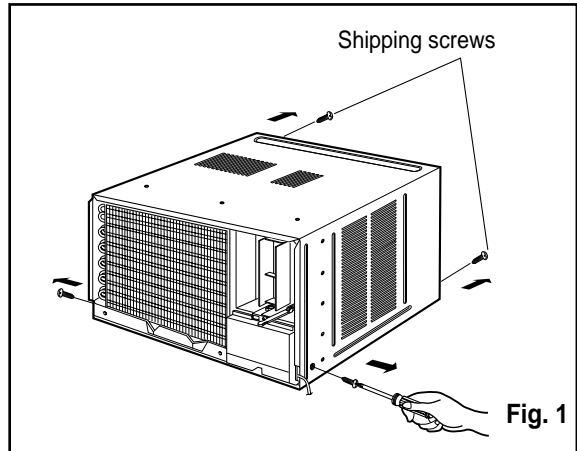


Fig. 1

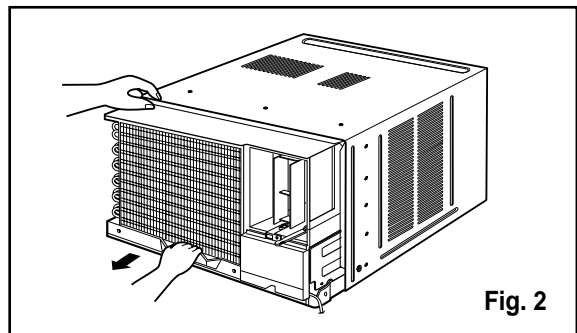


Fig. 2

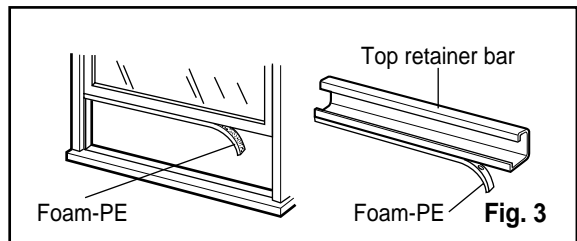


Fig. 3

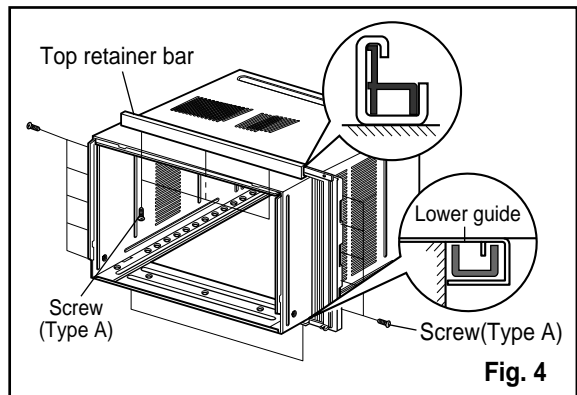
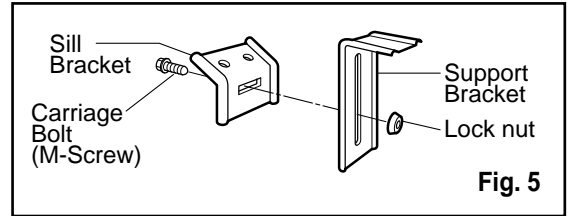


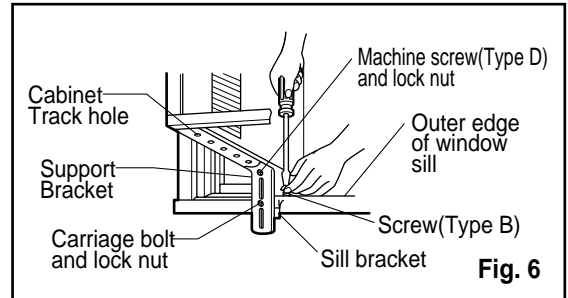
Fig. 4

## Cabinet Installation

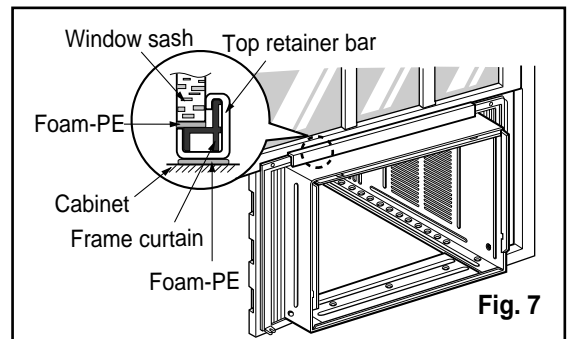
1. Open the window. Mark a line on the center of the window stool between the side window stop moldings.  
Loosely attach the sill bracket to the support bracket using the carriage bolt and the lock nut. (See Fig.5)



2. Attach the sill bracket to the window sill using the screws (Type B).  
Carefully place the cabinet on the window stool and align the center mark on the bottom front with the center line marked window stool.(See Fig.6)



3. Using the M-screw and the lock nut, attach the support bracket to the cabinet track hole. Use the first track hole after the sill bracket on the outer edge of the window sill. Tighten the carriage bolt and the lock nut. Be sure the cabinet slants outward. (See Fig.6)

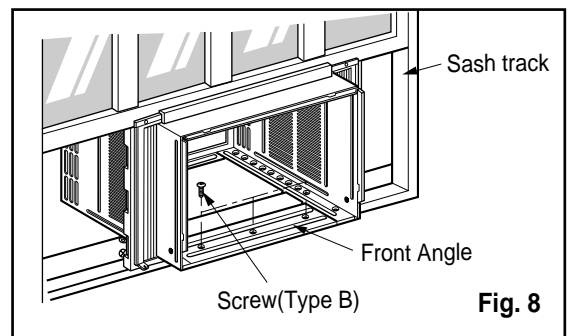


**CAUTION: DO NOT DRILL A HOLE IN THE BOTTOM PAN.**

The unit is designed to operate with approximately 12.7mm(1/2") of water in bottom pan.

4. Pull the bottom window sash down behind the Top retainer bar until they meet.(See Fig.7)

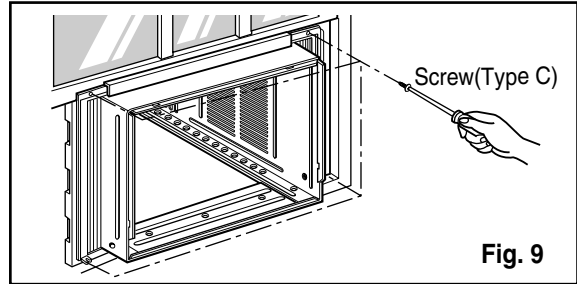
**NOTE:** 1. Do not pull the window sash down so tightly that the movement of Frame curtain is restricted. Attach the cabinet to the window stool by driving the screws (Type B) through the cabinet into window stool. (See Fig.8)



2. The cabinet should be installed with a very slight tilt downward toward the outside.

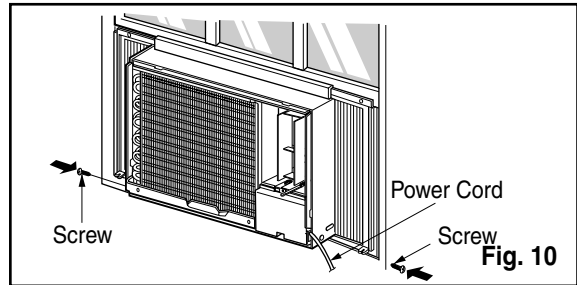
5. Pull each Frame curtain fully to each window sash track, and pull the bottom window sash down behind the Top retainer bar until it meets.

6. Attach each Frame curtain the window sash by using screws (Type C.) (See Fig. 9)

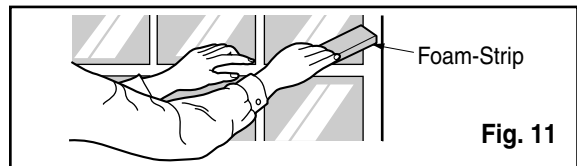


7. Slide the unit into the cabinet.(See Fig. 10)

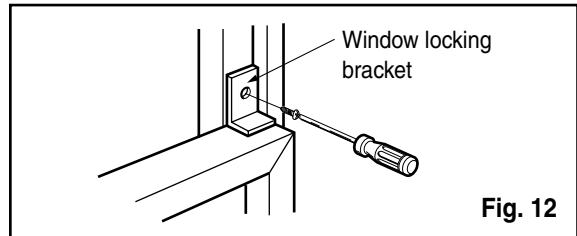
**CAUTION:** For security purpose, reinstall screws at cabinet's sides.



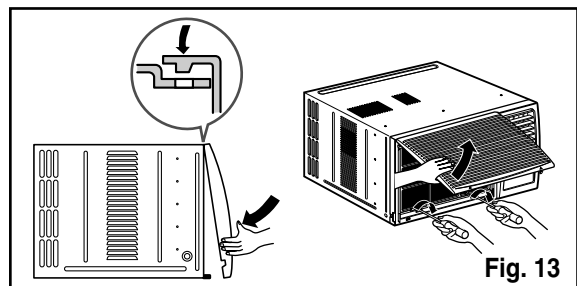
8. Cut the Foam-strip to the proper length and insert between the upper window sash and the lower window sash.(See Fig. 11)



9. Attach the Window locking bracket with a screw (Type C.) (See Fig. 12)



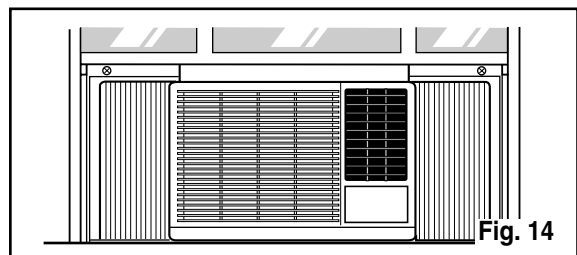
10. Attach the front grille to the cabinet by inserting the tabs on the grille into the tabs on the front of the cabinet. Push the grille in until it snaps into place.(See Fig.13)



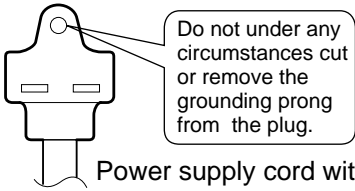

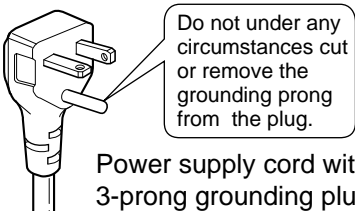
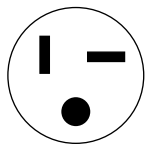
11. Lift the inlet grille and secure it with two screws (Type A) through the front grille.(See Fig. 13)

**NOTE:** Please refer p.6 for setting ventilation kit.

12. **Window installation of room air conditioner is now completed. See ELECTRICAL DATA for attaching power cord to electrical outlet.**



## Electrical Data (For 230/208V model only)

Line Cord Plug	Use Wall Receptacle	Power Supply
 <p data-bbox="287 525 567 584">Power supply cord with 3-prong grounding plug</p>	 <p data-bbox="618 525 1014 584">Standard 250V, 3-wire grounding receptacle rated 15A, 250V AC</p>	<p data-bbox="1057 427 1309 513">Use 15 AMP. time delay fuse or 15 AMP. circuit breaker.</p>
 <p data-bbox="287 780 567 838">Power supply cord with 3-prong grounding plug</p>	 <p data-bbox="618 780 1014 838">Standard 250V, 3-wire grounding receptacle rated 20A, 250V AC</p>	<p data-bbox="1057 682 1309 768">Use 20 AMP. time delay fuse or 20 AMP. circuit breaker.</p>

All wiring should be made in accordance with local electrical codes and regulations.

**NOTE :** Aluminum house wiring may pose special problems. Consult a qualified electrician.

### ■ ELECTRICAL SAFETY

#### **IMPORTANT GROUNDING INSTRUCTIONS**

Air conditioner has a three-prong grounding plug on its power supply cord, which must be plugged into properly grounded three-prong wall receptacle for your protection against possible shock hazard.

#### **230, 208, and 230/208 VOLT UNITS**

These units are equipped with a three-prong grounding plug on the power supply cord, which must be plugged into a matching properly grounded three-prong wall receptacle for your protection against possible shock hazard. If such an outlet is not present, one must be installed by a qualified electrician in accordance with the National Electrical Code and local codes and ordinances.

**NOTE:** DO NOT USE AN EXTENSION CORD ON 230, 208, AND 230/208 VOLT UNITS.

# Before you call for service...

## Troubleshooting Tips

Save time and money! Review the chart below first and you may not need to call for service.

### Normal Operation

- You may hear a pinging noise caused by water being picked up and thrown against the condenser on rainy days or when the humidity is high. This design feature helps remove moisture and improve efficiency.
- You may hear the relay click when the compressor cycles on and off.
- Water will collect in the base pan during high humidity or on rainy days. The water may overflow and drip from the outdoor side of the unit.
- The fan may run even when the compressor does not.

### Abnormal Operation

Problem	Possible Causes	What To Do
<b>Air conditioner does not start</b>	■ <i>The air conditioner is unplugged.</i>	• Make sure the air conditioner plug is pushed completely into the outlet.
	■ <i>The fuse is blown/circuit breaker is tripped.</i>	• Check the house fuse/circuit breaker box and replace the fuse or reset the breaker.
	■ <i>Power failure.</i>	• When power is restored, wait 3 minutes to restart the air conditioner to prevent tripping of the compressor overload.
<b>Air conditioner does not cool as it should</b>	■ <i>Airflow is restricted.</i>	• Make sure there are no curtains, blinds, or furniture blocking the front of the air conditioner.
	■ <i>TEMP Control set to a higher number.</i>	• Set the TEMP Control to a lower number.
	■ <i>The air filter is dirty.</i>	• Clean the filter at least every 2 weeks. See the operating instructions section.
	■ <i>The room may have been hot.</i>	• When the air conditioner is first turned on you need to allow time for the room to cool down.
	■ <i>Cold air is escaping.</i>	• Check for open furnace floor registers and cold air returns. • Set the air conditioner's vent to the closed position.
<b>Air conditioner freezing up</b>	■ <i>Cooling coils have iced up.</i>	• See Air Conditioner Freezing Up below.
	■ <i>Ice blocks the air flow and stops the air conditioner from cooling the room.</i>	• Set the mode control at <b>High Fan</b> or <b>High Cool</b> with the high temperature.

## Precauciones Importantes de Seguridad

Precauciones Importantes de seguridad .....17

## Instrucciones de Funcionamiento

Controles .....19  
Ventilación .....20  
Como controlar la dirección del aire .....20  
Como instalar el Tubo de desagüe .....20

## Cuidado y Mantenimiento

Limpieza de filtro de aire...21  
Cómo poner las Baterías...21

## Características

Características .....22

## Instrucciones de instalación

Elija el mejor lugar .....23  
Requisitos de ventana .....23  
Contenido del juego de instalación .....24  
Requisitos de las herramientas sugeridas .....25  
Instalación del gabinete .....26  
Datos electricos .....28  
Seguridad electrica .....28

## Antes de avisar al Servicio Técnico

Operación normal .....29  
Operación anormal .....29



## PARA SU INFORMACION

Escriba aquí los números de serie y modelo de las unidades exterior e interior:

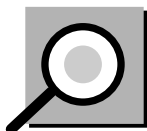
Nº de Modelo \_\_\_\_\_

Nº Serie \_\_\_\_\_

Los números figuran en una etiqueta en el lateral de cada unidad.

Distribuidor \_\_\_\_\_

Fecha de compra \_\_\_\_\_



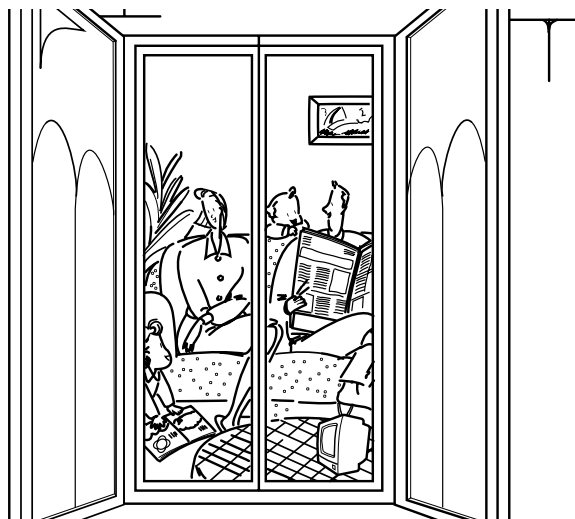
## LEA ESTE MANUAL

- Aquí encontrará numerosas sugerencias sobre cómo utilizar y mantener adecuadamente su acondicionador de aire. Con unos cuantos cuidados preventivos se puede ahorrar mucho tiempo y dinero a lo largo de la vida útil de su acondicionador de aire.
- En la tabla de sugerencias para la resolución de problemas encontrará respuestas a la mayoría de los problemas más comunes. Si consulta primero la tabla de **Sugerencias para la resolución de problemas**, quizá ni siquiera necesite avisar al servicio técnico.



## PRECAUCION

- Consulte con el servicio técnico autorizado sobre la reparación o el mantenimiento de esta unidad.
- El acondicionador de aire no debe ser utilizado por niños pequeños o personas inestables sin supervisión.
- Es preciso vigilar a los niños pequeños para asegurarse de que no juegan con el acondicionador de aire.











# Precauciones Importantes de Seguridad

Para prevenir tanto lesiones al usuario u otras personas como daños materiales, es preciso seguir estas instrucciones.


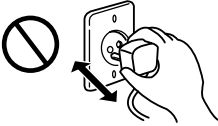
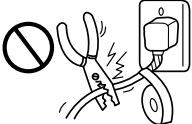


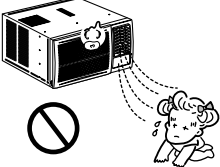
- El manejo incorrecto debido a la inobservancia de estas instrucciones puede causar lesiones o daños cuya gravedad está clasificada en las siguientes indicaciones.

	<b>ADVERTENCIA</b>	Este símbolo indica la posibilidad de lesiones mortales o graves.
	<b>PRECAUCION</b>	Este símbolo indica la posibilidad de lesiones o daños materiales.

- El significado de los símbolos utilizados en este manual se indica a continuación.

	<b>Asegúrese de no hacerlo.</b>
  	<b>Asegúrese de seguir las instrucciones.</b>

## **ADVERTENCIA**

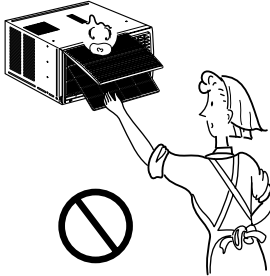
<b>Conecte correctamente el enchufe</b>	<b>No opere o pare la unidad insertando o tirando del enchufe</b>	<b>No dañe o utilice un cable eléctrico inadecuado</b>
<ul style="list-style-type: none"> <li>• De otra forma, ello ocasionaría una descarga eléctrica o incendio a causa de la generación de calor.</li> </ul>	<ul style="list-style-type: none"> <li>• Ello ocasionaría una descarga eléctrica o incendio a causa de la generación de calor.</li> </ul>	<ul style="list-style-type: none"> <li>• Ello ocasionaría una descarga eléctrica o incendio.</li> </ul>
		
<b>No modifique el largo del cable eléctrico, y tampoco comparta el tomacorriente con otros aparatos</b>	<b>No lo maneje con las manos húmedas</b>	<b>No exponga durante mucho tiempo la piel al aire frío procedente directamente del acondicionador.</b>
<ul style="list-style-type: none"> <li>• Ello ocasionaría una descarga eléctrica o incendio a causa de la generación de calor.</li> </ul>	<ul style="list-style-type: none"> <li>• Puede ocasionar una descarga eléctrica.</li> </ul>	<ul style="list-style-type: none"> <li>• Esto podría dañar su salud.</li> </ul>
		



## PRECAUCION

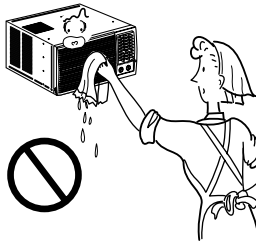
Quando se vaya a quitar el filtro de aire no toque las partes metálicas de la unidad interior.

- Esto podría causar heridas.



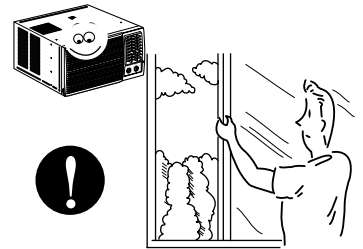
No limpie el acondicionador de aire con agua.

- El agua podría entrar en la unidad y degradar el aislamiento. También podría causar una sacudida eléctrica.



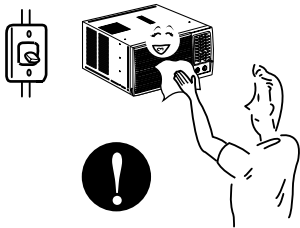
Ventile bien cuando utilice el acondicionador junto con una estufa, etc.

- En este caso tal vez se produzca una falta de oxígeno.



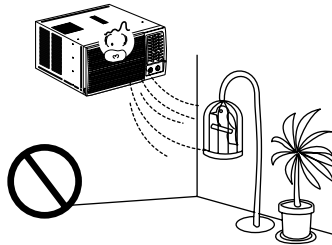
Quando limpie la unidad, desconecte la alimentación y desconecte también el disyuntor.

- Puesto que el ventilador gira a alta velocidad durante la operación, podría ocasionar heridas.



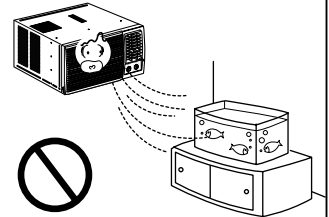
NO ponga un animal doméstico ni una planta donde quede directamente expuesto al flujo de aire.

- Esto podría dañar al animal o a la planta.



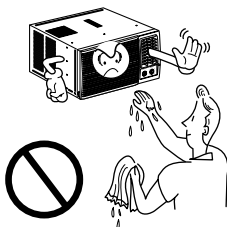
No lo utilice para propósitos especiales.

- No utilice este acondicionador de aire para conservar dispositivos de precisión, alimentos y objetos de arte; no ponga tampoco animales y plantas cerca de él. Esto podría deteriorar la calidad, etc.



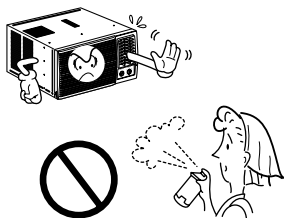
No manipule los interruptores con las manos mojadas.

- Esto podría causar una sacudida eléctrica.



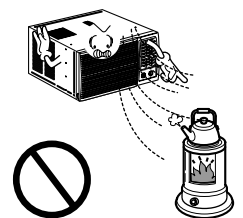
No aplique aerosoles con insecticida o productos inflamables.

- Esto podría causar un incendio o deformar la caja.



No ponga una estufa, etc. donde quede expuesta al flujo de aire directo.

- Esto podría causar una combustión imperfecta.

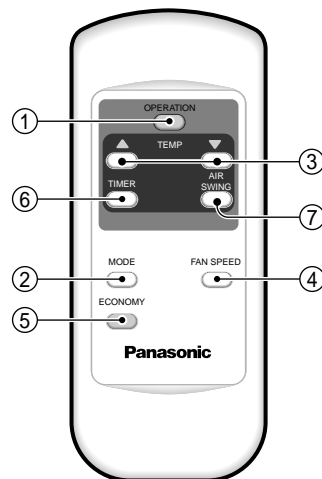
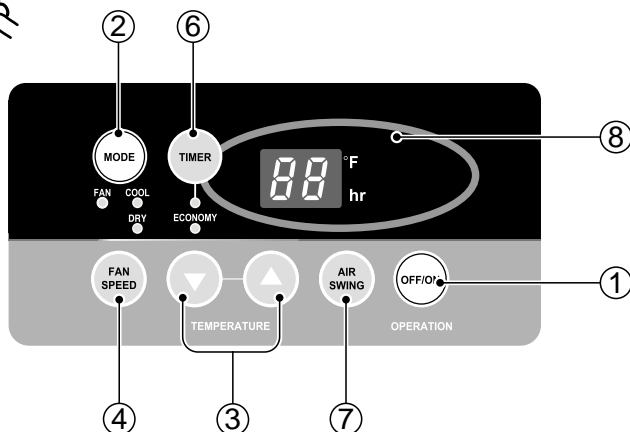


# Instrucciones de Funcionamiento



## Controles

Modelos: CW-XC184HU, CW-XC244HU



**Precaución:** El dispositivo de control remoto no funcionará adecuadamente si la ventana sensora del acondicionador de aire es expuesta a luz fuerte, o si hay obstáculos entre el dispositivo de control remoto y el acondicionador de aire.

### 1 ENCENDIDO/APAGADO

- Para ENCENDER el sistema presione el botón, y para APAGARLO presione el botón otra vez.
- Este botón tiene prioridad sobre todos los otros botones.
- Cuando Ud. lo enciende por primera vez, el sistema está en el y la temperatura es de 72°F (22°C).

### 2 FRÍO/VENTILADOR

- Cada vez que presione este botón, las palabras COOL, ECONOMY, FAN y DRY aparecerán alternadamente.

### 3 AJUSTE DE LA TEMPERATURA

- Este botón puede controlar la temperatura del cuarto automáticamente. La temperatura se puede ajustar de grado en grado, desde 60°F hasta 86°F cada 1°F (16°C hasta 30°C cada 1°C). Seleccione el número más bajo para la temperatura más baja en el cuarto.

### 4 VELOCIDAD DEL VENTILADOR

- Cada vez que presione este botón, el ajuste es como sigue. {Alto(F3) → Bajo(F1) → Medio(F2) → Alto(F3)...}

### 5 AHORRADOR DE ENERGÍA

- El ventilador se detiene cuando el compresor no sigue enfriando.
- Aproximadamente cada 3 minutos el ventilador se encenderá, y necesitará verificar la temperatura del cuarto para saber si es necesario más enfriamiento.

### 6 MARCADOR DE ENCENDIDO/APAGADO

- OPERACIÓN DE PARADA:

- Cada vez que presione este botón, cuando el sistema esté operando, el marcador de tiempo se ajustará de la siguiente manera: (1Hora → 2 Horas → 3 Horas → 4 Horas → 5 Horas → 6 Horas → 7 Horas → 8 Horas → 9 Horas → 10 Horas → 11 Horas → 12 Horas → 0 Hora).
- La temperatura de ajuste se elevará 2°F (1°C), 30 minutos después, y otros 2°F (1°C) media hora después.

- OPERACIÓN DE INICIACIÓN:

- Cada vez que presione este botón, cuando el sistema esté operando, el marcador de tiempo se ajustará de la siguiente manera: (1Hora → 2 Horas → 3 Horas → 4 Horas → 5 Horas → 6 Horas → 7 Horas → 8 Horas → 9 Horas → 10 Horas → 11 Horas → 12 Horas → 0 Hora).

### 7 AUTOGIRD

- Este botón puede controlar automáticamente la dirección del flujo de aire.

### 8 RECEPTOR DE SEÑAL

### 9 DRY

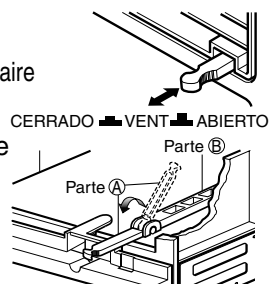
- Cuando esta unidad se torna al modo seco, el ventilador gira en velocidad lenta. El ventilador se detiene cuando el compresor se para de enfriar. Aproximadamente cada 3 minutos se encenderá el ventilador y la unidad comprueba la temperatura del aire de la habitación para ajustarse a si mismo.

## Controles adicionales e información importante.

### Ventilación

La palanca de ventilación debe estar en posición CERRADA para poder mantener las mejores condiciones de enfriamiento. Cuando se necesite aire fresco en la habitación, coloque la palanca de ventilación en posición ABIERTA. La Compuerta es abierta y el aire de la habitación es expulsado.

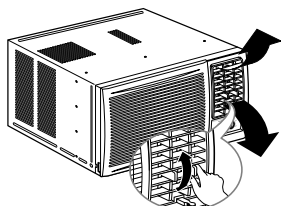
**NOTA:** Antes de utilizar la característica de ventilación, haga un kit de ventilación. Primero, hale hacia abajo la parte (A) hasta que quede horizontal con la parte (B).



### Como controlar la direccion del aire

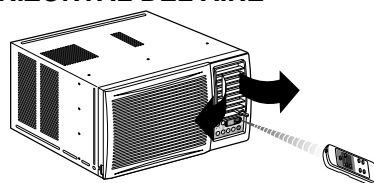
La dirección del aire puede ser controlada cuando usted desee enfriar, ajustando la palanca vertical y la palanca horizontal.

#### • CONTROL DE LA DIRECCIÓN VERTICAL DEL AIRE



La dirección vertical del aire es ajustada rotando la palanca horizontal hacia adelante o hacia atrás.

#### • CONTROL DE LA DIRECCIÓN HORIZONTAL DEL AIRE



La dirección horizontal del aire es ajustada rotando la palanca vertical hacia la derecha o hacia la izquierda por Director Remoto.

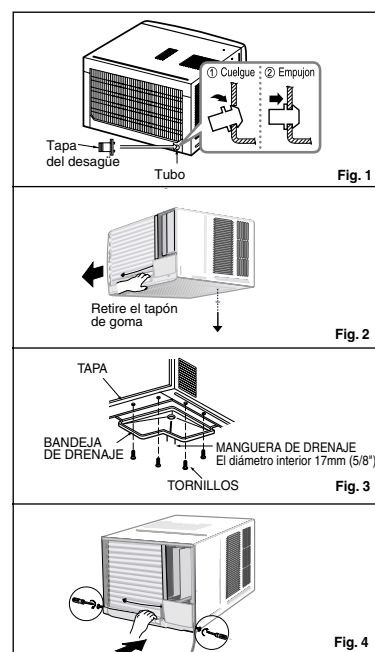
### Como Instalar el Tubo de Desagüe

En climas húmedos, es posible que la BANDEJA EVAPORADORA se llene de agua. Para quitar el agua acumulado, es preciso conectar el tubo de desagüe.

Quite la TAPA DEL DESAGÜE y conecte el TUBO a la BANDEJA EVAPORADORA. (Ver Fig.1)

#### Opcional(CW3H02502C)

1. Retire el tapón de plástico y deslice el chasis fuera del armario. (Ver Fig.2)
2. Instale la bandeja de drenaje por encima de la esquina de la tapa de donde retiró el tapón con 4 (o 2) tornillos. (Ver Fig.3)
3. Conecte la manguera de drenaje a la salida situada en la parte inferior de la bandeja de drenaje. Puede adquirir una manguera de drenaje o una tubería apropiada en su localidad que satisfaga sus necesidades particulares (la manguera no se suministra). (Ver Fig.3)
4. Seleccione la conexión más apropiada entre las figuras siguientes (teniendo en cuenta el orificio de la unidad) para acoplar la bandeja de drenaje en su unidad. (Ver Fig.3)
5. Deslice el chasis en el interior del armario. Vuelva a apretar los tornillos del armario. Fije el armario al chasis con tornillos. (Ver Fig.4)



# Cuidado y Mantenimiento

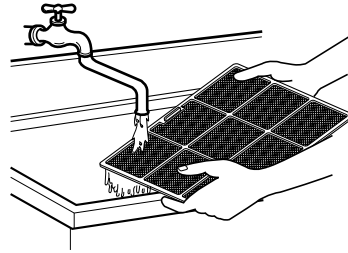
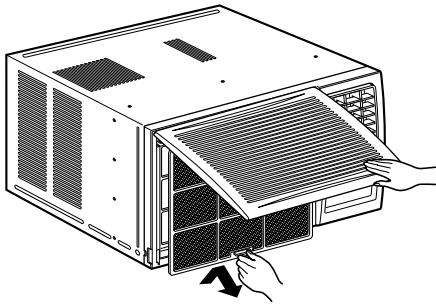
APAGUE EL AIRE ACONDICIONADO Y SAQUE EL ENCHUFE DEL TOMA CORRIENTE DE LA PARED.

## Limpieza de filtro de Aire

El filtro de aire detrás de la rejilla frontal debe ser revisado y limpiado por lo menos una vez por cada dos semanas o más frecuentemente si es necesario.

### PARA REMOVER:

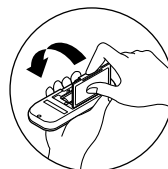
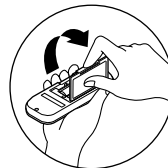
1. Abra la rejilla hacia arriba tirando la parte inferior de la rejilla o hacia abajo tirando la parte superior de la rejilla.
2. Usando una lengüeta, tire el filtro ligeramente hacia arriba para sacarlo por abajo o arriba.
3. Limpie el filtro con agua tibia y jabonosa bajo 40°C (104°F).
4. Enjuague y sacuda el filtro suavemente bajo la corriente de agua y déjelo secar antes de reponerlo.



**PRECAUCION:** NO OPERE el aire acondicionado sin filtro ya que la suciedad y el tamo obstruirá el filtro y reducirá la eficiencia del funcionamiento.

## Cómo poner las baterías

1. Quite la tapa de la parte posterior del telemando. Para ello haga deslizar la tapa según la dirección de la flecha.
2. Introduzca las dos AAA célula seca baterías, asegurándose de que las direcciones (+) y (-) estén colocadas correctamente. Use baterías nuevas.
3. Volver a cerrar, resbalando la tapa hasta la posición inicial.



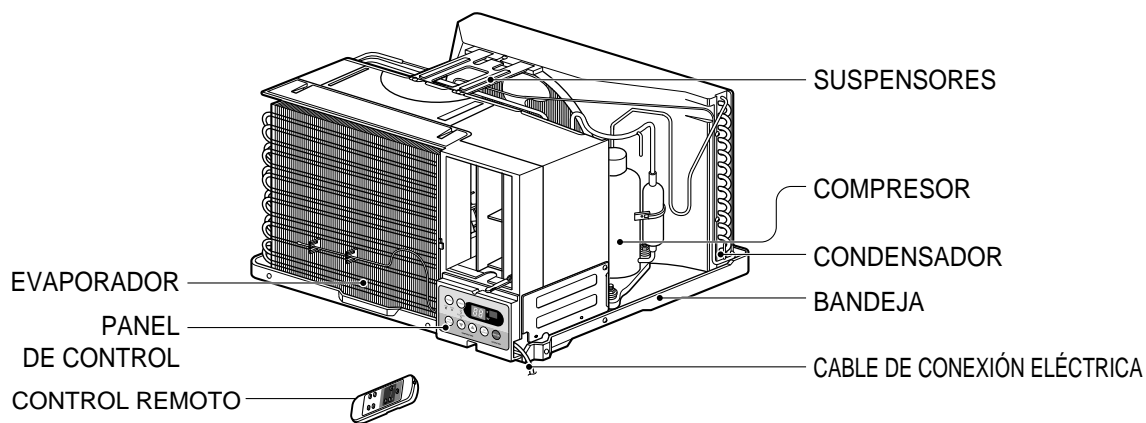
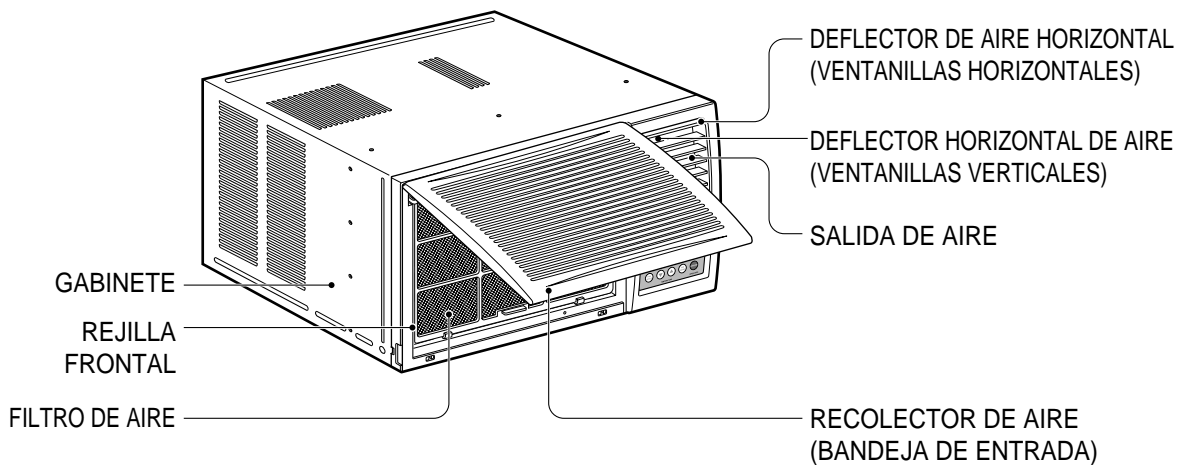
- No utilice baterías recargables, éstas son diferentes de forma, de dimensión y uso respecto a las baterías secas usuales.

- Seque las baterías del telemando cuando el acondicionador no vaya a ser usado durante un largo período.

# Características

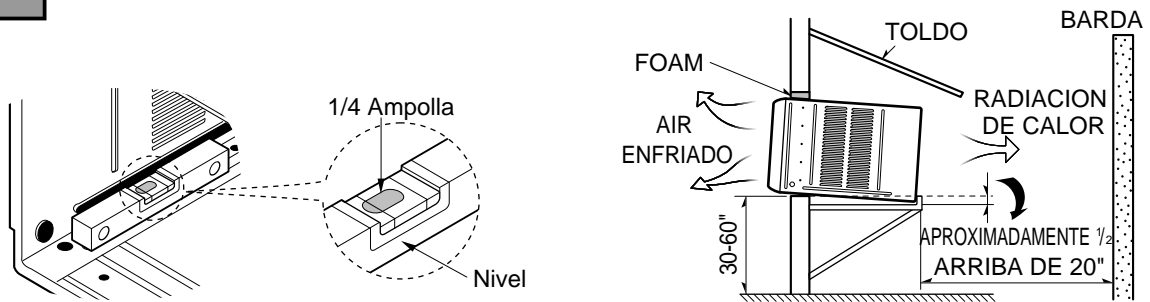
Aprender el nombre de las partes antes de la instalación le ayudará a entender el proceso de instalación.

## Características



# Instrucciones de Instalación

## Elija el mejor lugar



1. Para evitar vibración y ruido, asegúrese de que la unidad esté instalada de manera segura y firmemente.
2. Instale la unidad en lugares fuera de luz solar directa directamente sobre la unidad.
3. El exterior del gabinete deberá extenderse hacia afuera cuando menos 10" y no deben existir obstáculos, tales como una barda o pared, dentro de una distancia de 20" desde la parte posterior del gabinete porque esto evitará la radiación de calor del condensador. La restricción del aire exterior reducirá en gran manera la eficiencia de enfriamiento del aire acondicionado.

**PRECAUCION:** Todas las persianas laterales del gabinete deberán permanecer expuestas al exterior de la estructura.

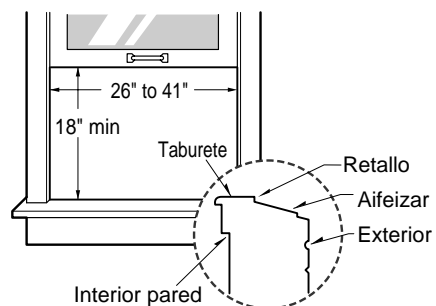
4. Para prevenir la reducción de la eficiencia del funcionamiento, instale la unidad para que las rejillas del gabinete no sean bloqueados.
5. Instale la unidad un poco oblicuamente hacia afuera para no dejar escapar el agua condensado a la habitación (aproximadamente 1/2" o 1/4 ampolla con nivel).
6. Llene la espuma entre el tope de la unidad y la pared para prevenir que el aire e insectos entren en la habitación.

## Requisitos de ventana

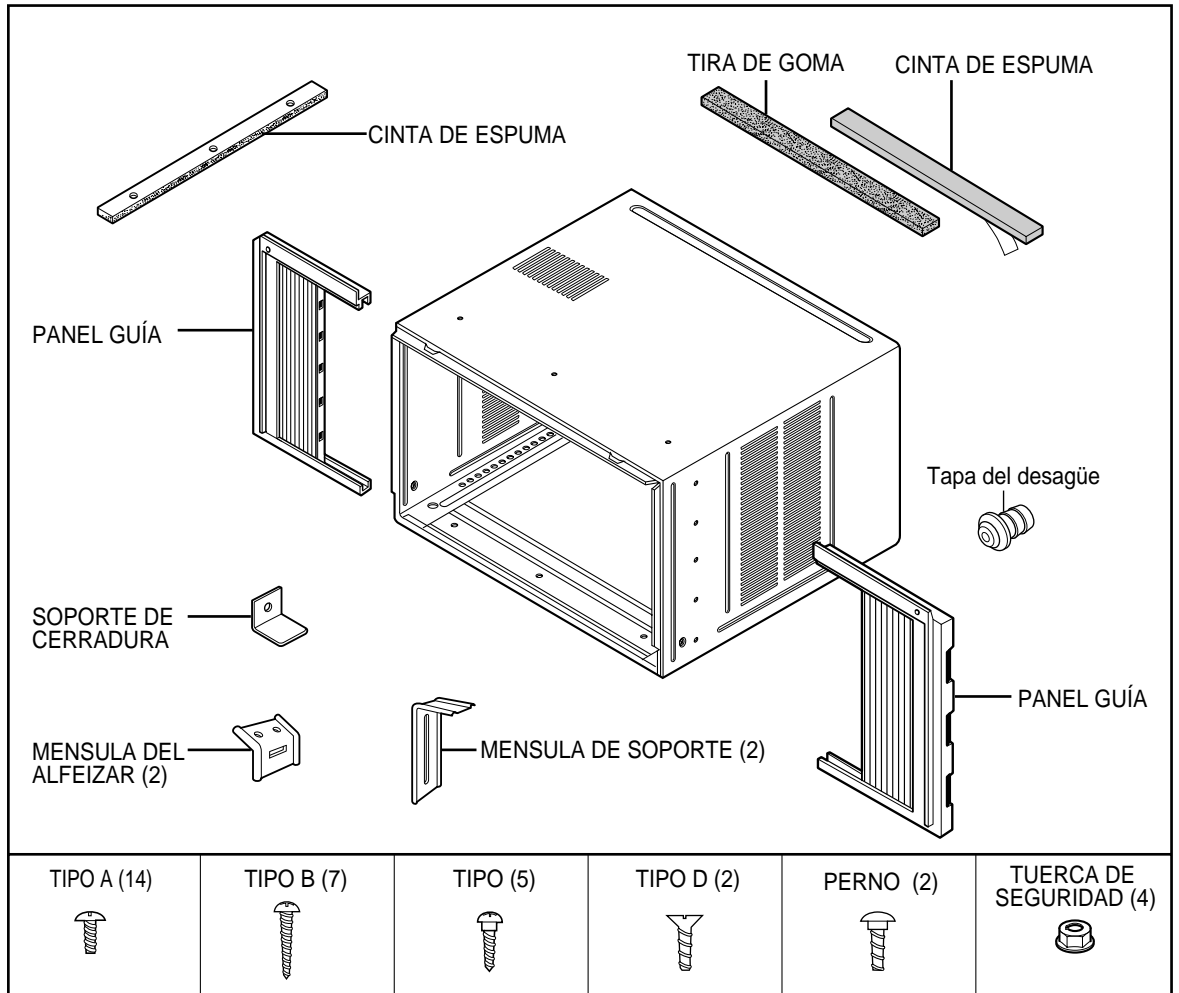
1. Esta unidad está diseñada para instalarse en ventanas de guillotina estándar con espesor real de abertura de 26" a 41".

Los marcos superior e inferior de la ventana deberán abrir lo suficiente para permitir una abertura vertical libre de 18" de la parte inferior del marco superior a la repisa de la ventana.

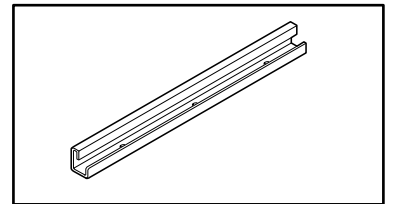
2. El desplazamiento de la repisa (altura entre la repisa y el alféizar) debe ser menor a 1 1/4".



## Contenido del juego de instalación



■ La barra de retención superior está en el empaque del producto



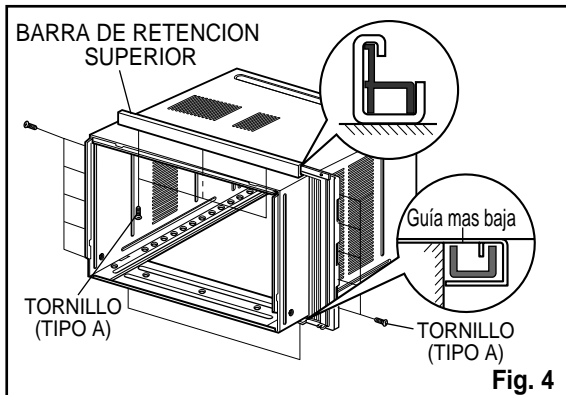
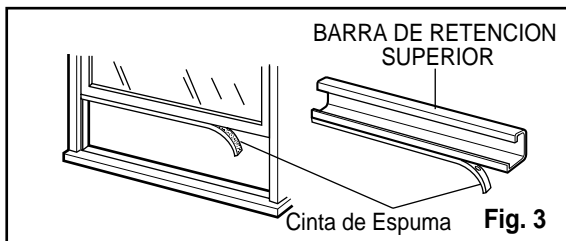
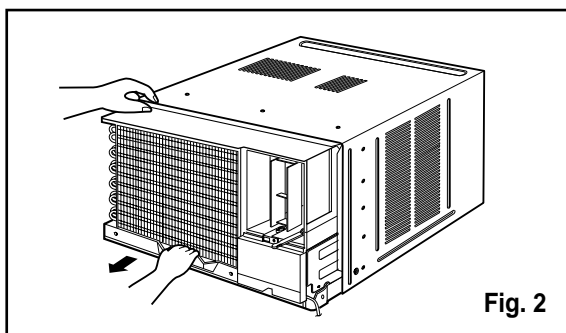
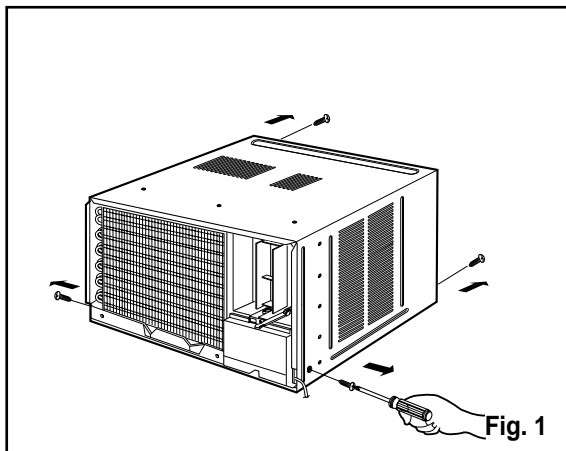


## Requisitos de las herramientas sugeridas

DESARMADOR (+, -), REGLA, CUCHILLO, MARTILO, LAPIZ, NIVEL

### PREPARACION DEL CHASIS

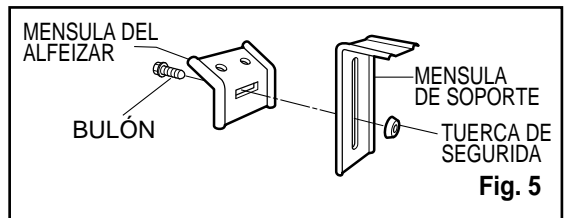
1. Retire los 4 tornillos que unen el gabinete a la parte posterior y lateral de la unidad. (Ver Fig. 1)
2. Deslice la unidad fuera del gabinete tomando la manija de la charola de la base y jale hacia adelante mientras sostiene el gabinete. (Ver Fig. 2)
3. Corte el sellode chasis de la ventana a la longitud apropiada. Pele el resfuerzo y aplique la Cinta de Espuma a la parte inferior del chais de la ventana. (Ver Fig. 3)
4. Remueva el refuerzo de la Cinta de Espuma con 3 huecos y agréguelo en la parte inferior del tope de la barra de Retencion Superior. (Ver Fig. 3)
5. Sujete la barra de retención superior al lado superior del gabinete con los 3 torni. (Ver Fig. 4)
6. Inserte los paneles guías en la barra de retencion superior y en la guia marco del aire acondicionado. (Ver Fig. 4)
7. Sujete las cortinas de la unidad con tornillos (Tipo A) (Ver Fig. 4).



## Instalacion del Gabinete

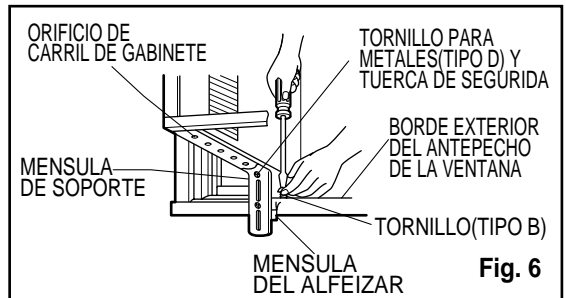
1. Abra la ventana. Marque una línea en el centro de la repisa de la ventana entre las molduras de tope de la ventana lateral.

Coloque sin apretar la ménsula del alféizar en la ménsula de soporte utilizando el perno y la tuerca de seguridad. (Ver Fig. 5)



2. Coloque la ménsula del alféizar en el alféizar de la ventana utilizando los tornillos (Tipo B). Apriete el perno y la tuerca de seguridad.

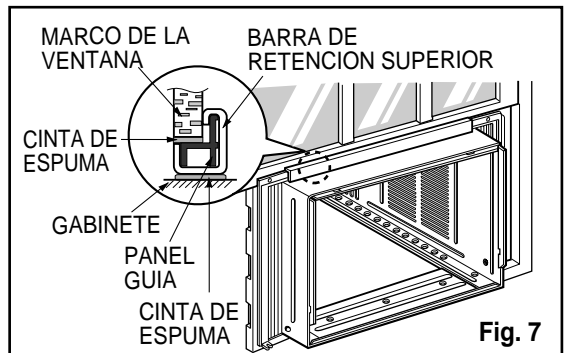
Repisa de la ventana y alinee la marca central en el frente del fondo con la línea central marcada en la repisa de la ventana. (Ver Fig. 6)



3. Utilizando el tornillo M y la tuerca de seguridad, coloque la ménsula de soporte en el orificio de la guía del gabinete. Use el primer orificio de la guía después de la ménsula del alféizar en el borde exterior del alféizar de la ventana. (Ver Fig. 6)

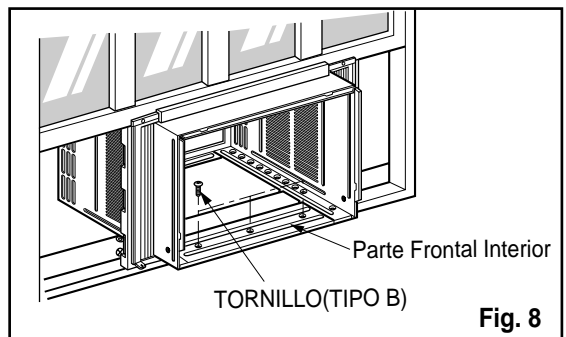
Apriete el perno y la tuerca de seguridad. Asegúrese de que el gabinete esté inclinado hacia afuera.

**PRECAUCION:** No perforo la charola del fondo. La unidad está diseñada para operar con aproximadamente 1/2"(12.7mm) de agua en la charola del fondo.



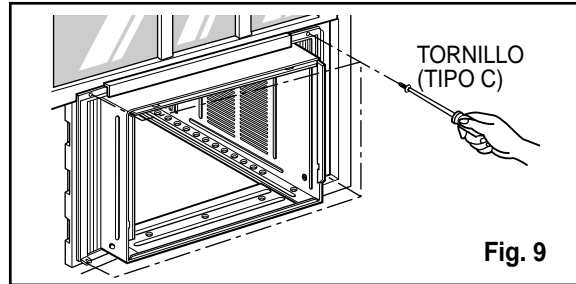
#### 4. NOTA:

1. No hale el marco de la ventana hacia abajo tan apretado que se restrinja el movimiento de los deslizadores. Sujete el gabinete a la repisa de la ventana insstalando los tornillos (tipo A o B) a través del gabinete en la repisa de la ventana.
2. El gabinete deberá ser instalado ligeramente inclinado hacia abajo hacia el exterior.



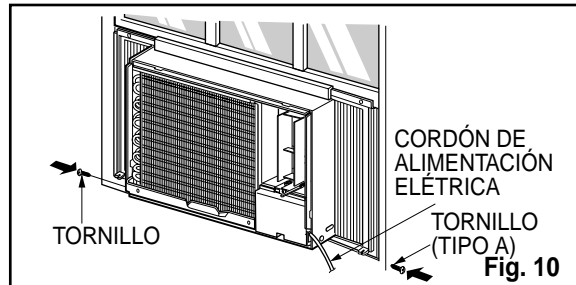
5. Hale cada panel guía completamente a cada lado de la ventana y repita del paso 2.

6. Adjunte cada panel guía a cada lado de la ventana usando tornillos (Tipo C).  
(Ver Fig.9)

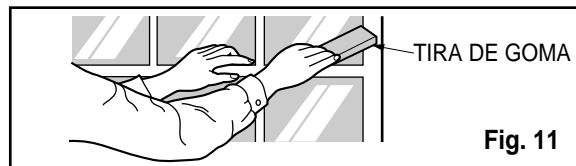


7. Deslice el chasis dentro del gabinete.  
(Ver Fig.10)

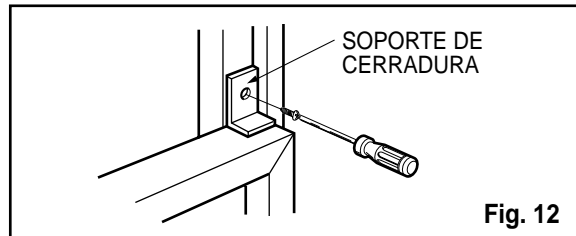
**CUIDADO:** Por razones de seguridad, re instale los tornillos (Tipo A) en los lados del gabinete.



8. Corte la tira de goma a la medida apropiada e introdúzcala entre la parte superior e inferior de la ventana. (Ver Fig. 11)

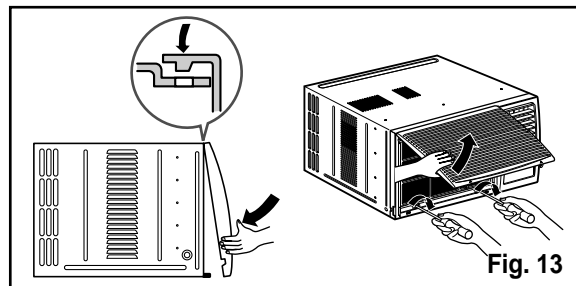


9. Se debe instalar el asa antes de fijar el frente decorativo. (Ver Fig. 12)



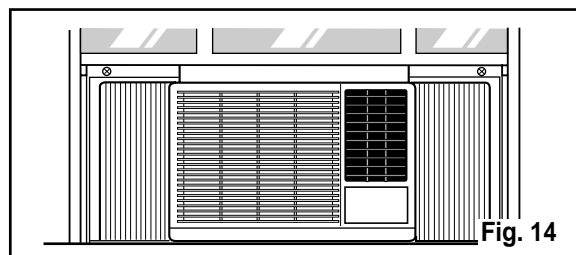
10. Instale la rejilla frontal en el gabinete insertando la lengüeta en la rejilla a la lengüeta en el frente del gabinete. Empuje la rejilla hasta que se cierre con sonido de golpe. (Ver Fig. 13)

11. Levante la rejilla de entrada y asegúrela con un tornillo (tipo A) a través de la rejilla frontal. (Ver Fig.13)

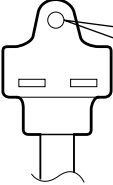

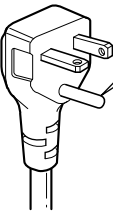
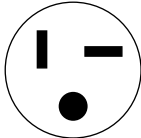


**NOTA:** Se refiere por favor p.20 para poner juego de ventilación.

12. **Ahora la instalación del aire acondicionado en la ventana es completada. Vea los DATOS ELECTRICOS para instalar el cable de alimentación en la toma de corriente.**



## Datos Electricos (Para modelo de 230/208V Solamente)

Corcón Eléctrico	Utilice el enchufe de la pared	Consumo de Energía
 <p>No lo corte bajo ninguna circunstancia o remueva la punta del enchufe.</p> <p>Corcón eléctrico con puntas para enchufar</p>	 <p>Standard 250V, enchufe de 3 Líneas de 15A, 250V AC</p>	<p>Utilice un fusible de 15AMP. o un Interruptor de 15AMP.</p>
 <p>No lo corte bajo ninguna circunstancia o remueva la punta del enchufe.</p> <p>Corcón eléctrico con puntas para enchufar</p>	 <p>Standard 250V, enchufe de 3 Líneas de 20A, 250V AC</p>	<p>Utilice un fusible de 20AMP. o un Interruptor de 20AMP.</p>

Todo el cableado deberá realizarse de acuerdo con los códigos y reglamentos eléctricos locales.

**NOTA :** El cableado doméstico de aluminio podría ocasionar problemas especiales. Consulte a un electricista calificado.

### ■ SEGURIDAD ELECTRICA

#### **INSTRUCCIONES DE CONEXION A TIERRA IMPORTANTES**

El aire acondicionado tiene una clavija de conexión a tierra de tres patas en su cable de suministro de energía, que deberá enchufarse en un tomacorriente de pared de tres patas conectado a tierra adecuadamente para su protección contra un posible riesgo de electrocución.

#### **UNIDADES DE 230, 208 y 230/208 VOLTIOS**

Estas unidades están equipadas con una clavija de conexión a tierra de tres patas en el cable de suministro de energía que deberá enchufarse en un tomacorriente de pared para tres patas conectado a tierra adecuadamente (ver las ilustraciones a continuación) para su protección contra un posible riesgo de electrocución. Si no tiene un tomacorriente con estas características, un electricista calificado deberá instalar uno de acuerdo con el Código Eléctrico Nacional y los códigos y normas locales.

**NOTA: NO USE UN CABLE DE EXTENSION.**

# Antes de avisar al Servicio Técnico

*Tips para solucionar problemas*

*(Ahorre tiempo y dinero) Cuando tenga algún problema primero consulte el cuadro que se encuentra abajo y tal vez no necesite llamar para solicitar servicio técnico.*

## Operación normal

- Durar te días lluviosos o cuando la humedad es alta usted puede escuchar un ruido metálico causado por agua recogida y arrojada contra el condensador. Esta característica ayuda a remover la humedad y mejorar la eficiencia.
- Usted puede escuchar que el relevo hace un click cuando se enciende o apaga el ciclo del compresor.
- Durar te días lluviosos o cuando la humedad es alta el agua será recolectada en la base del aparato. Esta agua podrá fluir y será eliminada por el lado externo de la unidad.
- El ventilador podrá correr aún cuando el compresor no esté encendido.

## Operación anormal

Problema	Causas posibles	Que hacer
<b>El aire acondicionado no enciende</b>	<ul style="list-style-type: none"> <li>■ El aire acondicionado está desconectado.</li> <li>■ El fusible está quemado/el interruptor de energía se ha bloqueado.</li> <li>■ Falta de energía.</li> </ul>	<ul style="list-style-type: none"> <li>• Asegúrese que el aire acondicionado está conectado completamente a la fuente de energía.</li> <li>• Cheque los fusibles/interruptor de la casa y reemplace los fusibles o reestablezca el interruptor de energía.</li> <li>• Cuando la energía se reestablezca, espere 3 minutos para encender de nuevo el aire acondicionado. Con esto evitará que se produzca una sobrecarga en el compresor.</li> </ul>
<b>El aire acondicionado no enfría como debiera</b>	<ul style="list-style-type: none"> <li>■ El flujo de aire está restringido.</li> <li>■ Coloque el control de TEMPERATURA en un número más alto.</li> <li>■ El filtro de aire está sucio.</li> <li>■ El cuarto aún está caliente.</li> <li>■ El aire frío se está escapando.</li> <li>■ El serpentín de refrigeración se ha congelado.</li> </ul>	<ul style="list-style-type: none"> <li>• Asegúrese que no haya cortinas, persianas o muebles bloqueando el frente del aire acondicionado.</li> <li>• Gire el control de TEMPERATURA a un número más bajo.</li> <li>• Limpie el filtro por lo menos cada dos semanas. Vea la sección de instrucciones de operación.</li> <li>• Cuando usted enciende el aire acondicionado debe esperar un momento para que la habitación se enfríe.</li> <li>• Asegúrese que todas las salidas de aire estén cerradas para que el aire regrese.</li> <li>• Coloque la ventana del aire acondicionado en la posición más cercana.</li> <li>• Establezca una temperatura más alta.</li> </ul>
<b>El aire acondicionado enfría demasiado</b>	<ul style="list-style-type: none"> <li>■ El hielo bloquea el flujo de aire y detiene el enfriamiento del cuarto.</li> </ul>	<ul style="list-style-type: none"> <li>• Ajustar el control de modo en '<b>Ventilación Alta</b>' o '<b>Enfriamiento Alto</b>' con la temperatura alta.</li> </ul>

**PRODUCT SPECIFICATION  
ESPECIFICIONES DEL PRODUCTO**

Model Modèle Modelo			CW-XC184HU	CW-XC244HU
COOLING CAPACITY CAPACITÉ DE REFROIDISSEMENT CAPACIDAD DE ENFRIAMIENTO	Btu/h		17,800/17,300	23,500/23,000
ELECTRICAL RATING CARACTÉRISTIQUES ÉLECTRIQUES CLASIFICACION DE LA ELECTRICIDAD	Phase Phase Fase		Single Simple Monofasico	Single Simple Monofasico
	Frequency Fréquence Frecuencia	(Hz)	60	60
	Voltage Tension Voltaja	(V)	230/208	230/208
	Current Courant Corriente	(Amps) (A) (Amps)	7.4/7.9	11.2/12.0
	Input Consommation Potencia	(W)	1,660/1,620	2,500/2,450
EER RENDEMENT ÉNERGÉTIQUE EER			10.7/10.7	9.4/9.4
MOISTURE REMOVAL SUPPRESSION D'HUMIDITÉ DESHUMIDIFICACION	(Pints/h) (pinte/h) (Tinta/h)		5.5	7.5
ROOM CIRCULATION CIRCULATION D'AIR CIRCULACION DE AIRE	(Cf/min) (pi/min) (pie/min)		459	477
DIMENSIONS DIMENSIONS DIMENSIONES	Height Hauteur Alto	cm (inches) cm (pouces) cm (pulgadas)	42.8 (16 <sup>27</sup> / <sub>32</sub> )	42.8 (16 <sup>27</sup> / <sub>32</sub> )
	Width Largeur Ancho	cm (inches) cm (pouces) cm (pulgadas)	66.0 (26)	66.0 (26)
	Depth Profondeur Profundidad	cm (inches) cm (pouces) cm (pulgadas)	67.5 (26 <sup>17</sup> / <sub>32</sub> )	77.0 (30 <sup>23</sup> / <sub>32</sub> )
NET WEIGHT POIDS NET PESO NETO	kg (lb) kg (livres) kb (libras)		55 (123)	66 (146)
GROSS WEIGHT POIDS BRUT PESO BRUTO	kg (lb) kg (livres) kb (libras)		62 (138)	72 (161)

- \* Specifications are subject to change without notice for improvement.
- \* Les spécifications ci-dessus peuvent être changées sans préavis.
- \* Las especificaciones están sujetas a cambios por mejoras sin previo aviso.

# Nota

---

A series of horizontal dotted lines for writing notes.

**Panasonic Consumer Electronics Company,  
Division of Matsushita Electric Corporation  
of America**

One Panasonic Way  
Secaucus, New Jersey 07094

**Panasonic Sales Company,  
Division of Matsushita Electric of Puerto Rico, Inc.,**  
Ave. 65 de Infanteria, Km. 9.5  
San Gabriel Industrial Park  
Carolina, Puerto Rico 00985

## **Panasonic Room Air Conditioner Limited Warranty**

Panasonic Consumer Electronics Company or Panasonic Sales Company (collectively referred to as "the Warrantor") will repair this product with new or refurbished parts in case of defects in material or workmanship, free of charge, in the USA or Puerto Rico in accordance to the following (All time periods start from the date of the original purchase).

**SEALED REFRIGERATING SYSTEM (compressor and interconnecting tube): FIVE (5) YEARS - PARTS AND LABOR**

**ALL OTHER COMPONENTS: ONE (1) YEAR - PARTS AND LABOR**

**In-home service** in the USA can be obtained during the warranty period by contacting a Panasonic Service Company (PASC) Factory Servicenter listed in the Servicenter Directory. Or call toll free, 1-800-211-PANA(7262), to locate a PASC authorized Servicenter. In-home service in Puerto Rico can be obtained during the warranty period by calling the Panasonic Sales Company telephone number listed in the Servicenter Directory.

Note: If the unit is installed at the other than normal window height and/or has been custom-installed (e.g., through the wall), the customer is responsible for removing the unit from its installation prior to the performance of in-home service.

This warranty is extended only to the original purchaser. A purchase receipt or other proof of date of the original purchase is required for service and parts replacement under this warranty.

This warranty only covers failures due to defects in materials and workmanship and does not cover normal wear or cosmetic damage. The warranty does not cover damages which occur in shipment, or failures which are caused by products not supplied by the warrantor, or failures which result from accident, misuse, abuse, neglect, mishandling, misapplication, faulty installation, maladjustment of customer controls, improper maintenance, alteration, modification, power line surge, lightning damage, improper voltage supply, commercial use such as hotel, office, restaurant, or other business or rental use of the product, or service by anyone other than a PASC Factory Servicenter or a PASC authorized Servicenter, or damage that is attributable to acts of God.

### **LIMITS AND EXCLUSIONS**

There are no express warranties except as listed above.

THE WARRANTOR SHALL NOT BE LIABLE FOR INCIDENTAL OR CONSEQUENTIAL DAMAGES RESULTING FROM THE USE OF THIS PRODUCT, OR ARISING OUT OF ANY BREACH OF THIS WARRANTY ALL EXPRESS AND IMPLIED WARRANTIES, INCLUDING THE WARRANTIES OF MERCHANTABILITY, ARE LIMITED TO THE APPLICABLE WARRANTY PERIOD SET FORTH ABOVE.

Some states do not allow the exclusion or limitation of incidental or consequential damages or limitations on how long an implied warranty lasts, so the above exclusions or limitations may not apply to you.

This warranty gives you specific legal rights and you may also have other rights which vary from state to state. If a problem with this product develops during or after the warranty period, you may contact your dealer or Servicenter. If the problem is not handled to your satisfaction, then write to the Consumer Affairs Department at the company address indicated above.

SERVICE CALLS WHICH DO NOT INVOLVE DEFECTIVE MATERIALS OR WORKMANSHIP AS DETERMINED BY THE WARRANTOR, IN ITS SOLE DISCRETION, ARE NOT COVERED. COSTS OF SUCH SERVICE CALLS ARE THE RESPONSIBILITY OF THE PURCHASER.

[For assistance, please call: 1-800-211-PANA (7262) or send e-mail to [consumerproducts@panasonic.com](mailto:consumerproducts@panasonic.com)]