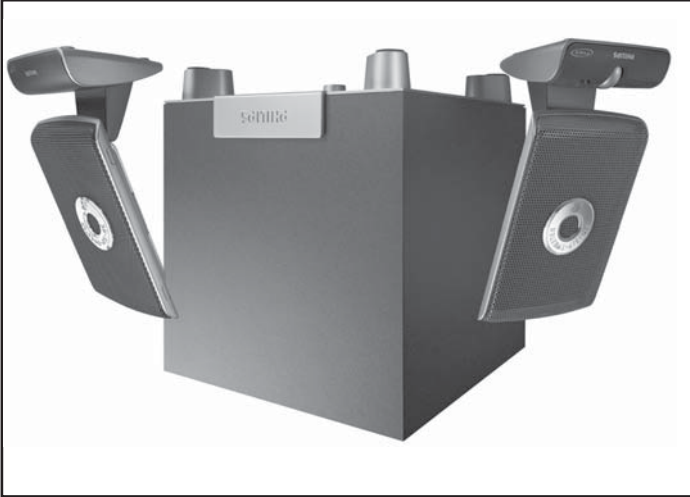
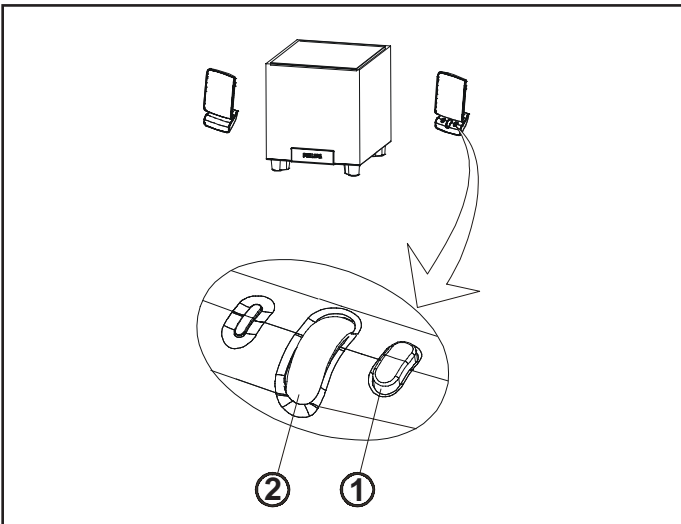


This stylish speaker system consists of 2 Soft Flat Panel satellites and a subwoofer. It combines Philips extensive acoustic knowledge with modern design to create the ultimate desktop Multimedia speaker system. The compact wooden subwoofer design will add depth to music and powerful bass to games and sound effects. The system can not only be used for PC's and notebooks, but also TV's, portable CD/MP3 players and any other audio devices with an analogue line-out or headphone jack.



MMS 313
A 3.310 Acoustic Fusion 310
Multimedia Speaker System



<http://www.philips.com/sound> (Rest of the World)
<http://www.philips.com/ce> (USA)

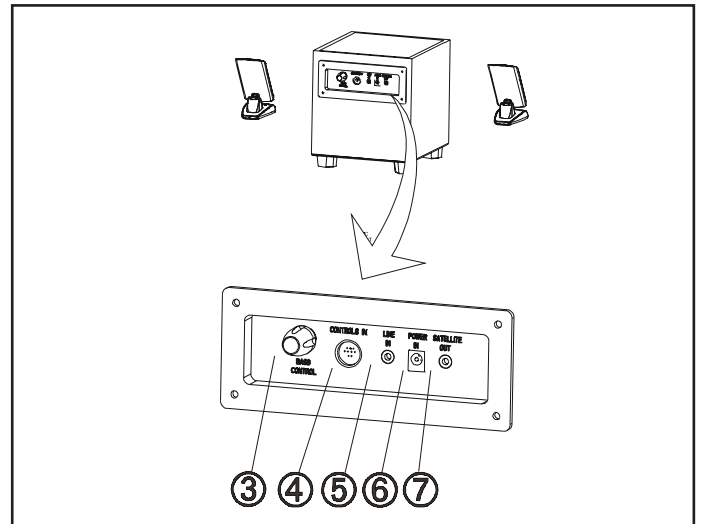
This product was designed and manufactured to meet some installation and operation precautions which you should be particularly aware of.

- Read these instructions** - All the safety and operating instructions should be read before the appliance is operated.
- Keep these instructions** - The safety and operating instructions should be retained for future reference.
- Heed all warnings** - All warnings on the appliance and in the operating instructions should be adhered to.
- Follow all instructions** - All operating and use instructions should be followed.
- Do not use this apparatus near water** - for example, in a wet basement or near a swimming pool, etc.
- Clean only with a damp cloth**. The appliance should be cleaned only as recommended by the manufacturer.
- Install in accordance with the manufacturers instructions**. Do not block any of the ventilation openings. For example, the appliance should not be placed in a built-in installation, such as a bookcase or cabinet that may impede the flow of air through the ventilation openings.
- Warning!** To reduce the risk of fire or electric shock, do not expose this appliance to rain or moisture.

EL 4562-E004: 99/3

IMPORTANT SAFETY INSTRUCTIONS - Read before operating equipment

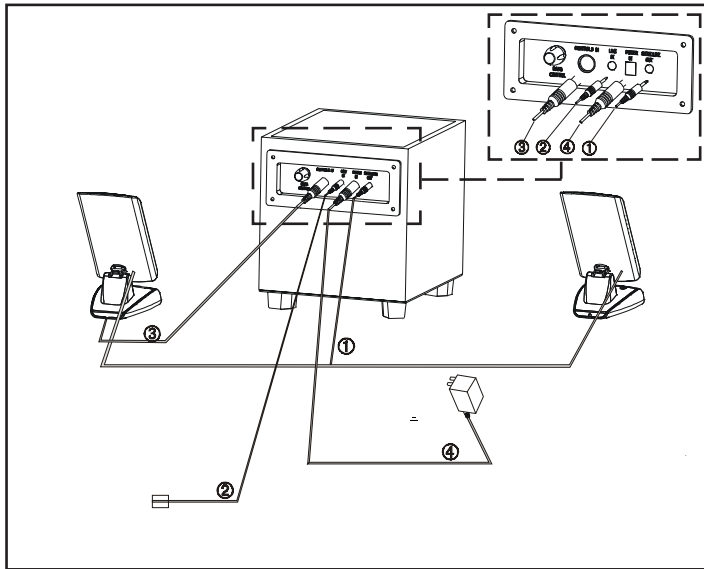
For US/Canada only



~ EXPLANATION ~

- | | | |
|--|--|---|
| <p>① Power On/Off
To switch on or off power (Green LED indicates that the power is On)</p> <p>② Rotary Volume Control
To adjust the volume higher or lower</p> <p>③ Bass Control
To adjust bass level to desired volume</p> | <p>④ Control In
Plug in the mini DIN connector</p> <p>⑤ Line In
To connect the Line In cable from the sound card/sound source.</p> <p>⑥ Power In
To connect the AC/AC adapter</p> | <p>⑦ Satellite Out
To connect the satellite speakers</p> |
|--|--|---|

Installation



English:

1. Connect the satellite speaker.
2. Connect to sound card/sound source.
3. Connect the mini DIN plug into the control in.
4. Connect the power supply.
5. Switch on the system using the power button on the satellite panel.
6. Tune the system using sound card/sound source and the controls on the satellite panel.

Note: Do not insert the power plug into the AC outlet until all connections are made!

Español:

1. Conecte el altavoz satélite.
2. Realice la conexión a la tarjeta o fuente de sonido.
3. Inserte el miniconector DIN en el terminal de entrada de control.
4. Conecte el cable de alimentación.
5. Active el sistema con el botón de encendido situado en el panel del satélite.
6. Aline el sistema utilizando la tarjeta o fuente de sonido y los controles del panel del satélite.

Observación: No inserte el conector de alimentación en la toma de corriente mientras no haya completado todas las conexiones

Svenska:

1. Anslut satellithögtalaren.
2. Anslut till ljudkort/ljudkälla.
3. Anslut mini-DIN-kontakten till "Control In" (regleringsgången).
4. Anslut strömförsörjningen.
5. Sätt på systemet med på-knappen på satellitpanelen.
6. Ställ in systemet via ljudkort/ljudkälla och knapparna på satellitpanelen

Obs: Anslut inte nätkontakten till nätuttaget förrän alla anslutningar har gjorts!

Türkçe:

1. Uydu hoparlörünü bağlayınız.
2. Ses kartını/ses kaynağını bağlayınız.
3. Mini DIN fişi kontrol girişine bağlayınız.
4. Güç kaynağını bağlayınız.
5. Uydu paneli üzerindeki güç düğmesini kullanarak sistemi çalıştırınız.
6. Ses kartı/ses kaynağını ve uydu paneli üzerindeki kumandaları kullanarak sistemi ayarlayınız.

Açıklama: Güç kablосunu, tüm bağlantılar yapıldıktan AC çıkışına sokmayınız!

Français:

1. Branchez l'enceinte satellite.
2. Connectez la carte son/source sonore.
3. Branchez la mini fiche DIN sur l'entrée Control.
4. Branchez l'alimentation.
5. Mettez le système sous tension à l'aide de la touche d'alimentation située sur l'enceinte satellite.
6. Accordez le système au moyen de la carte son/ source sonore et des commandes sur l'enceinte satellite

Remarque: N'introduisez pas la fiche dans la prise CA tant que tous les branchements ne sont pas effectués !

Deutsch:

1. Den Satellitenlautsprecher anschließen.
2. An die Soundkarte/Signalquelle anschließen.
3. Den Mini-DIN-Stecker an die Buchse "Control In" anschließen.
4. Das Netzteil anschließen.
5. Das System mit Hilfe der Taste "Power" auf dem Bedienfeld des Satellitenlautsprechers einschalten.
6. Das System mit Hilfe der Soundkarte/Signalquelle und den Bedienelementen auf dem Bedienfeld des Satellitenlautsprechers einstellen.

Hinweis: Den Netzstecker nicht an eine Steckdose anschließen, bevor alle Verbindungen hergestellt worden sind.

Italiano:

1. Collegare l'altoparlante satellite.
2. Collegare alla scheda audio/sorgente audio.
3. Collegare la spina mini DIN all'ingresso control.
4. Collegare l'alimentatore.
5. Accendere il sistema utilizzando il pulsante di accensione posto sul pannello satellite.
6. Sintonizzare il sistema utilizzando la scheda audio/sorgente audio e i comandi posti sul pannello satellite.

Nota: Non inserire la spina di alimentazione nella presa di corrente fino a che i collegamenti non sono stati tutti ultimati!

Polski:

1. Podłączyć głośnik satelitalny.
2. Podłączyć go ze źródłem dźwięku/kartą dźwiękową
3. Włożyć wtyk mini DIN do wejścia sterującego.
4. Podłączyć przewód zasilający do źródła zasilania.
5. Włączyć system, używając przycisku zasilania na panelu głośnika satelitalnego.
6. Dostosuj system, używając źródła dźwięku/karty dźwiękowej oraz kontrolek na panelu głośnika satelitalnego.

Uwaga: Nie wkładaj przewodu zasilającego do gniazda sieciowego dopóki nie wykonasz wszystkich (innych) połączeń!

Norsk:

1. Kople til satellithøytalaren.
2. Kople til lyd-kortet/lydkilden.
3. Kople mini DIN-pluggen til kontrollinngangen.
4. Kople til strømforsyrselen.
5. Slå på systemet med strømknappen på satellitpanelet.
6. Still inn systemet ved hjelp av lyd-kortet / lydkilden og kontrollene på satellitpanelet.

Merk: Ikke sett stopselet i en stikkontakt for alle tilkoplingene er gjort!

Nederlands:

1. Sluit de satellietluidspreker aan.
2. Sluit aan op geluidskaart/geluidsbron.
3. Sluit de kleine DIN-stekker aan op 'control in'.
4. Sluit het netsnoer aan.
5. Zet het systeem aan met de aan-uitknop op het satellietpaneel.
6. Stem het systeem af met de geluidskaart/geluidsbron en de toetsen op het satellietpaneel

Opmerking: Steek de netstekker pas in het stopcontact als alle aansluitingen gedaan zijn!

中文:

1. 連接衛星揚聲器。
2. 連接碟卡或聲源。
3. 連接迷你 DIN 插頭在控制器進。
4. 連接電源。
5. 以衛星儀表板上的電源按鈕來開啟此系統。
6. 以碟卡、聲源和衛星儀表板上的控制組來調較此系統。

注意: 除非所有接線都連接妥當，否則勿把 AC 電源線連接上。

Dansk:

1. Tilslut satellithøjtaleren.
2. Tilslut til lyd-kortet/lydkilden.
3. Tilslut mini-DIN-stikket til bøsningen Control In.
4. Tilslut strømforsyningen.
5. Tænd systemet ved hjælp af tænd-/slukknappen på satellitpanelet.
6. Afstem systemet ved hjælp af lyd-kortet / lydkilden og betjeningselementerne på satellitpanelet.

Bemærk: Sæt netstikket ikke til i vekselstrømsudgangen, før alle tilslutninger er i orden!

Important notes for users in the U.K.

Mains plug

This apparatus is fitted with an approved 13 Amp plug. To change a fuse in this type of plug proceed as follows:

1. Remove fuse cover and fuse.
2. Fix new fuse which should be a BS1362 5 Amp, A.S.T.A. or BSI approved type.
3. Refit the fuse cover.

If the fitted plug is not suitable for your socket outlets, it should be cut off and an appropriate plug fitted in its place. If the mains plug contains a fuse, this should have a value of 5 Amp. If a plug without a fuse is used, the fuse at the distribution board should not be greater than 5 Amp.

Note: The severed plug must be disposed of to avoid a possible shock hazard should it be inserted into a 13 Amp socket elsewhere.

How to connect a plug

The wires in the mains lead are coloured with the following code: blue = neutral (N), brown = live (L). As these colours may not correspond with the colour markings identifying the terminals in your plug, proceed as follows:

- Connect the blue wire to the terminal marked N or coloured black.
 - Connect the brown wire to the terminal marked L or coloured red.
 - Do not connect either wire to the earth terminal in the plug, marked E (or $\frac{1}{2}$) or coloured green (or green and yellow).
- Before replacing the plug cover, make certain that the cord grip is clamped over the sheath of the lead - not simply over the two wires.

Copyright in the U.K.

Recording and playback of material may require consent. See Copyright Act 1956 and The Performer's Protection Acts 1958 to 1972.

Norge

Typeskilt finnes på apparatens underside.

Observer: Nettbryteren er sekundært innkopleet. Den innebygde nettdelen er derfor ikke frakopleet nettet så lenge apparatet er tilsluttet nettkontakten.

For å redusere faren for brann eller elektrisk stot, skal apparatet ikke utsettes for regn eller fuktighet.

Deutschland

Hiermit wird bescheinigt, daß dieses Gerät in Übereinstimmung mit den Bestimmungen der Amtsblattverfügung 1046/1984 funktionsstört ist.

Der Deutschen Bundespost wurde das Inverkehrbringen dieses Gerätes angezeigt und die Berechtigung zur Überprüfung der Serie auf Einhaltung der Bestimmungen eingeräumt.