



## Dear customer,

Please read this User Information carefully and keep it to refer to at a later date.

Pass it on to any subsequent owner of the appliance.

The following symbols are used in the text:



Safety instructions

**Warning!** Notes that concern your personal safety.

**Attention!** Notes that show how to avoid damage to the appliance.



Useful tips and hints



Environmental information



Your dishwasher has the new washing system "IMPULSE WASHING". With this dishwashing system the motor speed and spray pressure are varied during the wash cycle to achieve better cleaning of the dishes. It is for this reason that the noise level varies during the dishwashing cycle.

Printed on paper manufactured with environmentally sound processes.  
He who thinks ecologically acts accordingly...

## CONTENTS

<b>Operating instructions</b>	4
<b>Safety instructions</b>	4
<b>Disposal</b>	6
<b>Economical and ecological dishwashing</b>	6
<b>Description of the appliance</b>	7
<b>The control panel</b>	8
<b>Prior to using for the first time</b>	11
Setting the water softener	11
Filling with salt	13
Rinse aid	14
<b>In daily use</b>	17
Loading cutlery and dishes	17
The lower basket	18
The cutlery basket	19
The upper basket	20
Adjusting the height of the upper basket	21
Use of detergent	22
Different kinds of detergent	23
<b>Washing programmes</b>	25
<b>Starting a washing programme</b>	26
<b>Maintenance and cleaning</b>	29
Cleaning the filters	29
<b>What to do, when...</b>	32
<b>Service</b>	35
<b>Guarantee terms</b>	36
<b>Technical specifications</b>	38
<b>Installation instructions</b>	39
Fitting under a counter	39
Levelling	39
Water supply connections	40
Water inlet hose with safety valve	41
Water outlet hose connection	42
Electrical connection	43
<b>Hints for test centres</b>	44

## OPERATING INSTRUCTIONS



### Safety instructions

The safety of AEG electrical appliances conforms to accepted rules of technology and the Appliance Safety Act. We as manufacturers, however, see ourselves as being obliged to familiarise you with the following safety instructions.



**It is most important that this instruction book should be retained with the appliance for future reference. Should the appliance be sold or transferred to another owner, or should you move house and leave the appliance, always ensure that the book is left with the appliance in order that the new owner can get to know the functioning of the appliance and the relevant safety information. This information has been provided in the interest of your safety. You MUST read it carefully before installing or using the appliance.**

### Installation

- Check your dishwasher for any transport damage. Never connect a damaged machine. If your dishwasher is damaged, you should contact your supplier.
- For safety reasons it is dangerous to alter the specifications or attempt to modify this product in any way.
- Any electrical and plumbing work required to install this appliance should be carried out by a qualified and competent person.
- Care must be taken to ensure that the appliance does not stand on the electrical supply cable.
- The sides of the dishwasher must never be drilled to prevent damage to hydraulic components.

### Child safety

- This appliance is designed to be operated by adults.
- Children should not be allowed to tamper with the controls or play with the product.
- Packaging parts may be dangerous for children, who could even be suffocated! You should therefore keep all packaging well away from children.

- The water in your dishwasher is not for drinking. Detergent residues may still be present in your machine. Keep children well away from your dishwasher when the door is open.
- Keep all detergents in a safe place out of children's reach.

### **Your dishwasher in day-to-day use**

- Items that are contaminated by petrol, paint, steel or iron debris, corrosive, acidic or alkaline chemicals must not be washed in this dishwasher.
- Under no circumstances should you open the door whilst the appliance is in operation, especially during the washing phase, hot water may escape. However, if the door is opened, a safety device ensures that the machine stops.
- Only use products (detergent, salt and rinse aid) specifically designed for use in dishwashers.
- Long bladed knives stored in an upright position are a potential hazard.
- Long and/or sharp items of cutlery such as carving knives must be positioned horizontally in the upper basket.
- When finishing loading or unloading close the door, as an open door can be a hazard.
- Do not sit or stand on the open door.
- Isolate the appliance from the power supply and turn off the water supply after use.
- This product should be serviced by an authorised service engineer, and only genuine spare parts should be used.
- Under no circumstances should you attempt to repair the machine yourself. Repairs carried out by inexperienced persons may cause injury or serious malfunctioning. Contact your local Service Force Centre. Always insist on genuine spare parts.



## Disposal

Dispose of the dishwasher packaging material correctly.

All packaging materials can be recycled.

Plastic parts are marked with standard international abbreviations:

>PE< for polyethylene, e.g. sheet wrapping material.

>PS< for polystyrene, e.g. padding material (always CFC-free).

>POM< for polyoxymethylene, e.g. plastic clips.

Cardboard packaging is manufactured from recycled paper and should be deposited in the waste paper collection for recycling.

As and when you cease to use your dishwasher and withdraw it from service, you should render it unserviceable before having it disposed of.



**Warning!** Children at play could lock themselves in your dishwasher or otherwise endanger their lives. Therefore cut off the power supply cable and make the door closing device unusable to prevent children from being trapped inside.

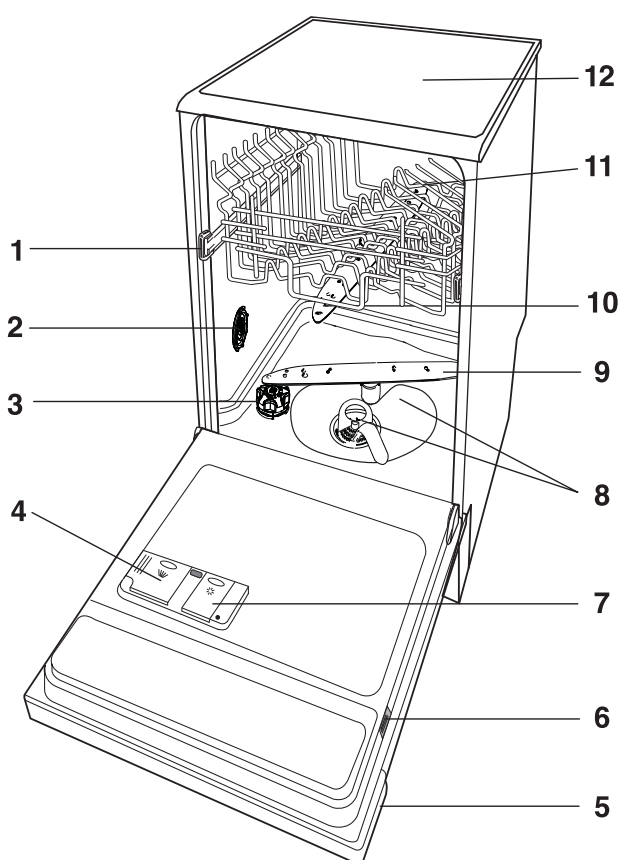
To dispose of the appliance please take it to a recycling centre or to your dealer who may, for a small contribution to the costs, dispose of it for you.



## Economical and ecological dishwashing

- Ensure that the water softener is correctly adjusted.
- Do not pre-wash under running water.
- Select the wash programme to suit the nature and degree of the soiling on the dishes.
- Do not use more detergent, dishwasher salt and rinse aid than is recommended in these operating instructions and by the manufacturer of the respective product.

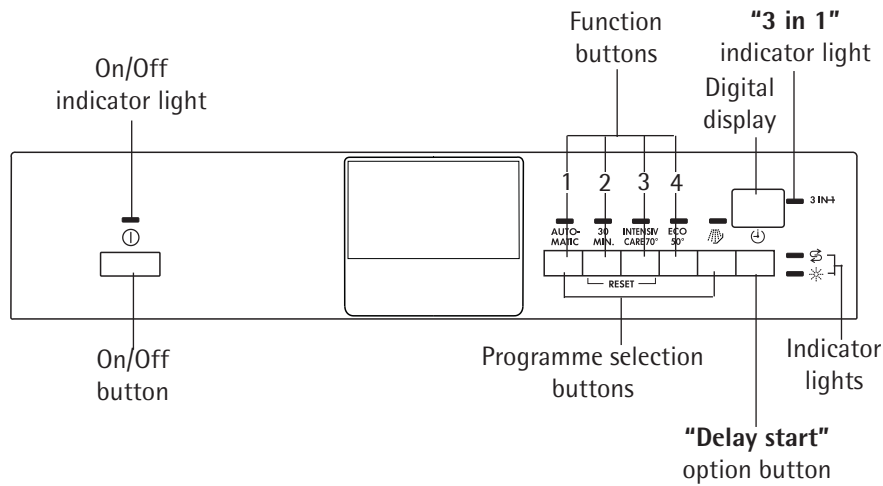
## Description of the appliance



IN154

- |                        |                        |
|------------------------|------------------------|
| 1. Upper basket stop   | 7. Rinse aid dispenser |
| 2. Water hardness dial | 8. Filters             |
| 3. Salt container      | 9. Lower spray arm     |
| 4. Detergent dispenser | 10. Upper spray arm    |
| 5. Control panel       | 11. Upper basket       |
| 6. Rating plate        | 12. Worktop            |

## The control panel



**Function buttons:** in addition to the dishwashing programme selected, the following functions can also be set with the help of these buttons:

- the setting of the water softener,
- deactivation/activation of the rinse aid dispenser,
- deactivation/activation of the "3 in 1" function
- the cancelling of a programme in progress.

**Programme selection buttons:** the selection of a washing programme occurs by pressing one of these push buttons (see "Washing programmes" chart).

**"Delay start" option button:** this option allows the start of the programme to be delayed from 1 to 19 hours.

**Indicator lights:** have the following meanings:

Ⓢ	<b>Salt</b> refilling indicator light: illuminates when the salt has run out
✱	<b>Rinse aid</b> refilling indicator light: illuminates when the rinse aid has run out

The salt and rinse aid indicator lights are never illuminated while a washing programme is running even if filling with salt and rinse aid is necessary.



**The digital display indicates:**

- the level of hardness to which the water softener is set,
- if the rinse aid inflow is activated/deactivated
- the approximative remaining time of the running programme
- the countdown of the delay start
- fault codes concerning malfunction of the dishwasher

**"3 in 1" function:** this appliance is equipped with the option **"3 in 1"**, that allows the use of the "3 in 1" combi detergent tablets.

This function can be selected with all washing programmes.

With the selection of this function the inflow of rinse aid and salt from each respective supply container is automatically deactivated and also the indicator lights for salt and rinse aid are deactivated.

Once selected this option (button indicator light illuminated ) it will remain active also for the following washing programmes, to deactivate the function, press the button (button indicator light off).

Once the programme is running, the **"3 in 1"** function can no longer be changed. If you want to exclude the **"3 in 1"** function you have to cancel the programme setting (see chapter "Starting a washing programme" - "To cancel a washing programme in progress") and then deactivate the **"3 in 1"** function.

In this case you have to set a washing programme again.

With the use of **"3 in 1"** combi detergent tablets, the cycle durations given in the "Washing programmes" chart may change.

### **Deactivation/activation of the 3 in 1 function**

(The dishwasher must be switched off)

1. Press the On/Off button. The On/Off indicator light illuminates (setting mode).  
If other indicator lights are on, this means that a wash programme has been selected. The programme must be cancelled: press simultaneously the function buttons 2 and 3 for about 2 seconds. All the indicator lights will turn off (except for the On/Off indicator light and eventually salt and rinse aid indicator lights) indicating that the set programme has been cancelled and the machine is now in setting mode.
2. Press simultaneously function buttons 2 and 3, until the indicator lights of the function push buttons 1, 2, 3 and 4 start flashing.
3. Press the function push button 4, the indicator lights of function push buttons 1, 2 and 3 turn off while the indicator light of the function push button 4 goes on flashing.
4. Press the function button 4 again, the "3 in 1" indicator light illuminates, indicating that the 3 in 1 function is active.  
To deactivate the function press the function button 4 again, the indicator light turns off.

<b>3 in1 function active</b>	<b>indicator light on</b>
<b>3 in 1 function not active</b>	<b>indicator light off</b>

5. To memorise the operation, switch off the dishwasher by pressing the On/Off button or wait about 60 seconds after which the dishwasher will automatically return to setting mode.

## Prior to using for the first time

Before using your dishwasher for the first time:

1. Ensure that the electrical and water connections comply with the installation instructions
2. Remove all packaging from inside the appliance
3. Set the water softener
4. Pour 1 litre of water inside the salt container and then fill with special dishwasher salt
5. Fill the rinse aid dispenser.

### Setting the water softener

The dishwasher is equipped with a water softener designed to remove minerals and salts from the water supply, which would have a detrimental or adverse effect on the operation of the appliance. The higher the content of these minerals and salts, the harder your water is.

Water hardness is measured in equivalent scales, German degrees, French degrees and mmol/l (millimol per litre).

The softener should be adjusted according to the hardness of the water in your area. Your local Water Authority can advise you on the hardness of the water in your area.

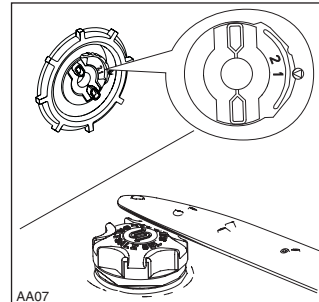
The water softener must be set in both ways: manually, using the water hardness switch and electronically, using the function buttons on the control panel.

Water hardness				Adjusting the water hardness setting		Indication on digital display
°dH (german degrees)	°TH (french degrees)	mmol/l (millimol per litre, international unit for the hardness of water)	Range	Manually	Electronically	
51 - 70	91 - 125	9,0 - 12,5	IV	2	10	<b>10L</b>
43 - 50	76 - 90	7,6 - 8,9			9	<b>9L</b>
37 - 42	65 - 75	6,5 - 7,5			8	<b>8L</b>
29 - 36	51 - 64	5,1 - 6,4			7	<b>7L</b>
23 - 28	40 - 50	4,0 - 5,0			6	<b>6L</b>
19 - 22	33 - 39	3,3 - 3,9	III		5	<b>5L</b>
15 - 18	26 - 32	2,6 - 3,2			4	<b>4L</b>
11 - 14	19 - 25	1,9 - 2,5	II	1	3	<b>3L</b>
4 - 10	7 - 18	0,7 - 1,8	I/II		2	<b>2L</b>
< 4	< 7	< 0,7	I		1 no salt necessary	<b>1L</b>

### a) Setting manually

1. Open the dishwasher door.
2. Remove the lower basket from the dishwasher.
3. Turn the water hardness dial to position 1 or 2 (see table).
4. Replace the lower basket.

The dishwasher is factory set at position



### b) Setting electronically

*(The dishwasher must be switched off)*

The dishwasher is factory set at level 5.

1. Press the On/Off button. The On/Off indicator light illuminates (setting mode).  
*If other indicator lights are on, this means that a wash programme has been selected. The programme must be cancelled: press simultaneously the function buttons 2 and 3 for about 2 seconds. All the indicator lights will turn off (except for the On/Off indicator light and eventually salt and rinse aid indicator lights) indicating that the set programme has been cancelled and the machine is now in setting mode.*
2. Press simultaneously function buttons 2 and 3, until the indicator lights of the function buttons 1, 2, 3 and 4 start flashing.
3. Press function button 1, the indicator lights of function buttons 2, 3 and 4 turn off while the indicator light of the button 1 goes on flashing, the digital display indicates the current level.
4. To change the level, press button 1. Each time the button is pressed the level changes. (For the selection of the new level see the chart).  
**Examples:**  
if the current level is 5, by pressing button 1 once, level 6 is selected.  
if the current level is 10, by pressing button 1 once, level 1 is selected.
5. To memorise the operation, switch off the dishwasher by pressing the On/Off button or wait about 60 seconds after which the dishwasher will automatically return to setting mode.

## Filling with salt

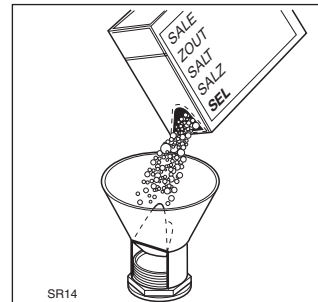


**Only use salt specifically designed for use in dishwashers. All other types of salt not specifically designed for use in a dishwasher, especially table salt, will damage the water softener. Only fill with salt just before starting one of the complete washing programmes.**

**This will prevent any grains of salt or salty water, which may have been spilt, remaining on the bottom of the machine for any period of time, which may cause corrosion.**

### To fill:

1. Open the door, remove the lower basket and unscrew the cap of the salt container by turning it anticlockwise.
2. Pour 1 litre of water inside the container (this is necessary only before filling with salt for the first time).
3. Using the funnel provided, pour in the salt until the container is full.
4. Replace the cap making sure that there is no trace of salt on the screw thread or on the gasket.
5. Screw on the cap tightly turning it clockwise until it stops with a click.



The salt container will require topping up periodically. You are reminded of this by the salt indicator light on the control panel which comes on when the salt has finished.



**The salt indicator light on the control panel can remain illuminated for 2-6 hours after the salt has been replenished, assuming the dishwasher remains switched on. If you are using salts that take longer to dissolve then this can take longer. The function of the machine is not affected.**

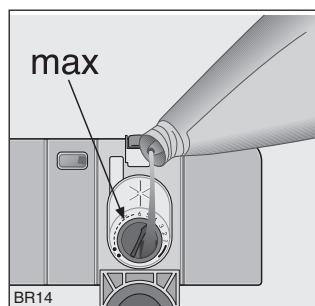
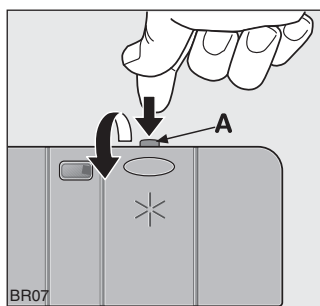
Do not worry if water over flows from the unit when filling with salt, this is quite normal.

## Rinse aid

Rinse aid is automatically added during the last rinse, ensuring thorough rinsing, and spot and streak free drying. The dispenser, which is positioned inside the door, holds about 110 ml of rinse aid, which is sufficient for 16 - 40 dishwashing programmes, depending upon the dosage setting.

## Filling with rinse aid

1. Open the container by pressing the release button (A).
2. Add the rinse aid until the container is completely full. The maximum level for filling is indicated by "max".



Ensure that the lid is closed after every refill.



Clean up any rinse aid spilt during filling with an absorbent cloth to avoid excess foaming during the next wash.

Only use branded rinse aid for dishwashers. Never fill the rinse aid dispenser with any other substances (e.g. dishwasher cleaning agent, liquid detergent). This would damage the appliance.

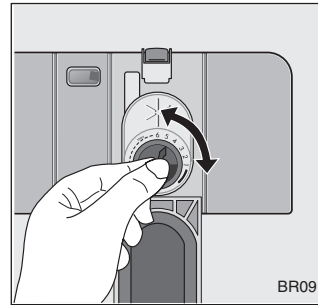
## Adjusting the dose

According to the finish and drying results obtained, adjust the dose of rinse aid by means of the 6 position selector (position 1 minimum dosage, position 6 maximum dosage).

The dose is factory set in position 4.

Increase the dose if there are drops of water or lime spots on the dishes after washing.

Reduce it if there are sticky whitish streaks on the dishes or a bluish film on glassware or knife blades.



**i** Top up the rinse aid when the indicator light on the control panel illuminates.

- i** If you are using dishwasher detergent that already contains rinse aid, it is necessary to deactivate rinse aid dispenser, in order to avoid a double dosage.

### **Deactivation/activation of the rinse aid dispenser**

(The dishwasher must be switched off)

**When the rinse aid dispenser has been deactivated, the rinse aid indicator light on the control panel is automatically deactivated.**

1. Press the On/Off button. The On/Off indicator light illuminates (setting mode).  
*If other indicator lights are on, this means that a wash programme has been selected. The programme must be cancelled: press simultaneously function buttons 2 and 3 for about 2 seconds. All the indicator lights will turn off (except for the On/Off indicator light and eventually salt and rinse aid indicator lights) indicating that the set programme has been cancelled and the machine is now in setting mode.*
2. Press simultaneously function buttons 2 and 3, until the indicator lights of the function push buttons 1, 2, 3 and 4 start flashing.
3. Press function button 2, the indicator lights of function buttons 1, 3 and 4 turn off while the indicator light of the function button 2 goes on flashing, the digital display indicates the current setting.

<i>0 d</i>	rinse aid dispenser deactivated
<i>1 d</i>	rinse aid dispenser activated (factory setting)

4. To change the setting, press function button 2 again, the digital display indicates the new setting.
5. To memorise the operation, switch off the dishwasher by pressing the On/Off button or wait about 60 seconds after which the dishwasher will automatically return to setting mode.



## In daily use

- Check if it's necessary to refill with dishwasher salt or rinse aid.
- Load cutlery and dishes into the dishwasher.
- Fill with dishwasher detergent.
- Select a wash programme suitable for the cutlery and dishes.
- Start the wash programme.

### Loading cutlery and dishes



**Sponges, household cloths and any object that can absorb water may not be washed in the dishwasher.**

- Before loading the dishes, you should:
  - Remove large left-overs.
  - Soften remnants of burnt food in pans.
- When loading the dishes and cutlery, please note:
  - Dishes and cutlery must not impede the rotation of the spray arms.
  - Load hollow items such as cups, glasses, pans etc, with the opening downwards so that water cannot collect in the container or a deep base.
  - Dishes and items of cutlery must not lie inside one another, or cover each other.
  - To avoid damage to glasses, they must not touch.
  - Lay small objects in the cutlery basket.
- **Plastic items and pans with teflon have a tendency to retain water drops; these items will not dry as well as porcelain and steel items.**

## Operating instructions

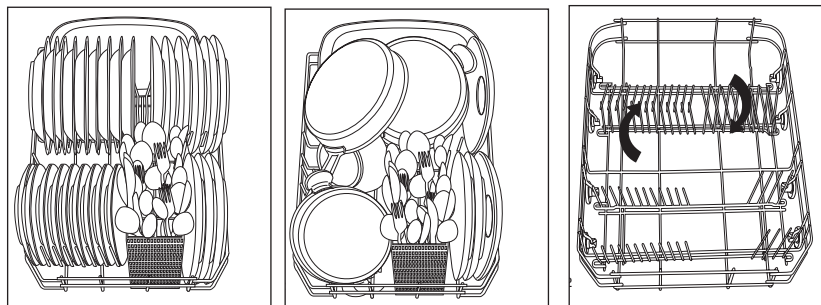
For washing in the dishwasher the following cutlery/dishes	
are not suitable:	are of limited suitability:
<ul style="list-style-type: none"><li>• Cutlery with wooden, horn, china or mother-of-pearl handles</li><li>• Plastic items that are not heat resistant</li><li>• Older cutlery with glued parts that is not temperature resistant</li><li>• Bonded cutlery items or dishes</li><li>• Pewter or copper items</li><li>• Lead crystal glass</li><li>• Steel items subject to rusting</li><li>• Wooden platters</li><li>• Items made from synthetic fibres</li></ul>	<ul style="list-style-type: none"><li>• Only wash stoneware in the dishwasher if it is specifically marked as being dishwasher-safe by the manufacturer.</li><li>• Glazed patterns may fade if machine washed frequently.</li><li>• Silver and aluminium parts have a tendency to discolour during washing. Left-overs, e.g. egg white, egg yolk and mustard often cause discolouring and staining on silver. Therefore always clean left-overs from silver immediately, if it is not to be washed straight after use.</li><li>• Some types of glass can become dull after a large number of washes.</li></ul>

Open the door and slide out the baskets to load the dishes.

### The lower basket

The lower basket is designed to take saucepans, lids, plates, salad bowls, cutlery etc.

Serving dishes and large lids should be arranged around the edge of the basket, ensuring that the spray arms can turn freely.



The two rows of prongs on the lower basket can be easily lowered to allow you to load pots, pans and bowls.

## The cutlery basket

Place knives, forks and spoons in the cutlery basket with their handles pointing downwards.

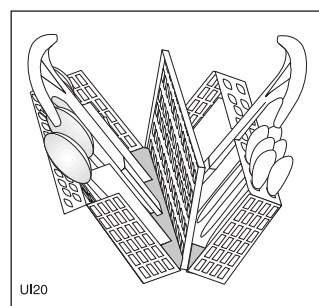
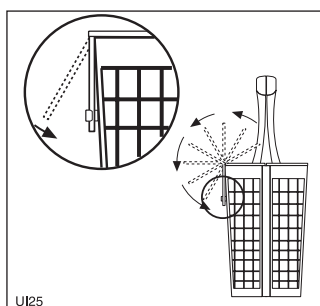
Arrange cutlery loosely and distribute it in all compartments so that each individual article has good contact with washing water. Also do not arrange spoons and forks with their dirty side in contact with each other.

**Important!** Exceptionally long cutlery, such as soup ladles, kitchen knives, or the like, may obstruct the upper spray arm. Such cutlery can be placed in the upper basket.

To unload your dishwasher more easily, you can take the cutlery basket out of the lower basket and unfold it. This makes it easier to remove small pieces of cutlery.

**Important note!** To prevent the full cutlery basket from inadvertently unfolding when being taken out, place your hand right round the two-piece handle and hold it firmly.

1. Place the cutlery basket on a firm support (table, worktop) and unfold both handle parts.
2. After unfolding, fold back both handle parts.



**Long bladed knives stored in an upright position are a potential hazard.**

**Long and/or sharp items of cutlery such as carving knives must be positioned horizontally in the upper basket.**

**Take care when loading or unloading sharp items such as knives.**

## The upper basket

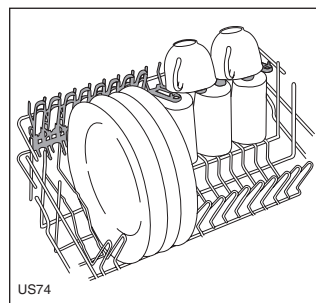
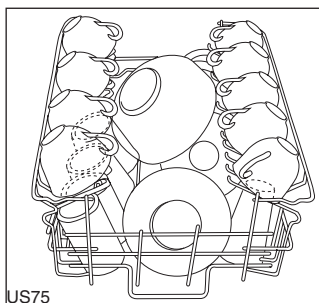
The upper basket is designed for plates (dessert plates, saucers, dinner plates of up to 24 cm in diameter), salad bowls, cups and glasses.

Arrange items on and underneath the cup racks so that water can reach all surfaces.

Glasses with long stems can be placed upside down in the cup racks.

For taller items, the cup racks can be folded upwards.

Light items (plastic bowls etc.) must be loaded in the upper basket and arranged so they do not move.



**Before closing the door, ensure that the spray arms can rotate freely.**

## Adjusting the height of the upper basket

If washing very large plates you can load them in the lower basket after moving the upper basket to the higher position.

	Maximum height of the dishes in:	
	upper basket	lower basket
With upper basket raised	20 cm	31 cm
With upper basket lowered	24 cm	27 cm

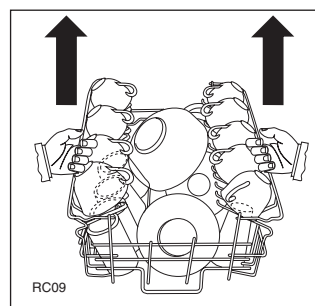
**To move to the higher position proceed as follows:**

1. Pull out the basket until it stops.
2. Carefully lift both sides upwards until the mechanism is engaged and the basket is stable.

### **Attention!**

*Never lift or lower the basket on one side only.*

*When the basket is in the higher position you will not be able to use the cup rack(s).*



**The lower basket to the original position proceed as follows:**

1. Pull out the basket until it stops.
2. Carefully lift both sides upwards and then allow the mechanism to drop back down slowly, keeping hold of it.



**After loading your machine always close the door, as an open door can be a hazard.**

## Use of detergent

Only use detergents specifically designed for use in dishwashers.



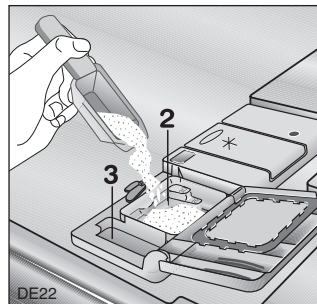
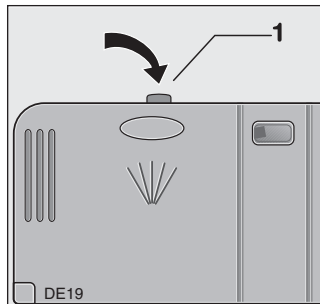
Using no more than the correct amount of detergent contributes to reducing pollution.

Prior to the start of a wash programme. The detergent is released during the washing phase.

Please observe the manufacturer's dosing and storage recommendations as stated on the detergent packaging.

## Fill with detergent

1. If the lid is closed: press release button (1). The lid springs open.
2. Fill the detergent dispenser (2) with detergent.  
The marking indicates the dosing levels:  
20 = approximately 20 g of detergent  
30 = approximately 30 g of detergent



3. All programmes with prewash need an additional detergent dose (5/10 g) that must be placed in the prewash detergent chamber (3). This detergent will take effect during the prewash phase.
4. Close the lid and press until it locks in place.

## Different kinds of detergent

### Detergent tablets



Detergent tablets of different brands dissolve at different speeds. For this reason some detergent tablets cannot dissolve and develop their full cleaning power during short programmes. Therefore please use long programmes when using detergent tablets, to ensure the complete removal of detergent residuals.



**Do not place the tablets in the tub or in the cutlery basket as this will result in poorer wash results. The tablets should be placed in the detergent dispenser.**

### Concentrated detergent

Based on their chemical composition, dishwasher detergents can be split into two basic types:

- conventional, alkaline detergents with caustic components.
- low alkaline concentrated detergents with natural enzymes.



The use of 50°C washing programmes in conjunction with concentrated detergents reduces pollution and is good for your dishes; these wash programmes are specially matched to the dirt-dissolving properties of the enzymes in the concentrated detergent. For this reason 50°C wash programmes in which concentrated detergents are used can achieve the same results that can otherwise only be achieved using 65°C programmes.

### Combi detergents

If you are using dishwasher detergent that includes the rinse aid function, this must be placed in the detergent compartment.

In this case it is necessary to deactivate the rinse aid dispenser, in order to avoid a double dosage (see "Deactivation/activation of the rinse aid dispenser").

## Use of "3 in 1" combi detergents

### General advice

These products are detergents with integrated and combined detergent/rinse-aid and salt functions.

1. Before using these products you should first check that the water hardness in your supply is compatible with the use of these products as per the detergent manufacturers (on the product packaging).
2. These products should be strictly used according to the detergent manufacturers instructions.
3. If you encounter problems when using 3 in 1 products for the first time then please contact the detergent manufacturers care line (the telephone number is given on the product packaging).

### Special advice

When using combination 3 in 1 products, select the "3 in 1" function.



If you decide to turn back to the use of the standard detergent system we advise that you:

- Refill both the salt container and rinse aid dispenser.
- Switch the water hardness setting to the highest possible position and run from 1 to 3 normal washing programmes without a load.
- Readjust the water hardness setting again according to the hardness of the water in your area.


For best results we recommend the use of Finish detergents, rinse aid and salt.



DE15



## Washing programmes

Cycle	Suitable for	Type of soiling	Programme sequence					Consumption values <sup>1</sup>		
			Pre-rinse	Main wash	Intermediate	Final rinse	Drying	Length (minutes)	Energy (kWh)	Water (litres)
AUTOMATIC <sup>2</sup> (50°-65°)	Dinner service and cookware	normally soiled, dried-on food remains	●	●	●	●	●	80	0,80	12
			-	-	-	-	-	105	1,20	21
30 MIN. (60°)	Dishes excluding saucepans	just used, lightly to normally soiled	-	●	-	●	-	25	0,70	7
			-	-	-	-	-	30	0,80	8
INTENSIV CARE 70° <sup>3</sup>	Dinner service and cookware	heavily soiled, dried on food remains, in particular protein and starch	●	●	● 2x	●	●	113	1,60	19
			-	-	-	-	-	127	1,80	21
ECO 50° <sup>4</sup>	Dinner service and cookware temperature-sensitive crockery	normally soiled	●	●	●	●	●	160	0,75	12
			-	-	-	-	-	170	0,80	13
RINSE AND HOLD <sup>5</sup> 	All types of dishes	Partial load (to be completed later in the day)	●	-	-	-	-	12	0,10	3 - 4

- (1) The consumption values were obtained under standardised conditions. They depend on how full the baskets for the dishes are. Variations are therefore possible in practice.
- (2) When using this programme the degree of water clouding determines the amount of soiling on the dishes. The length of the programme and water and energy consumption can vary greatly – depending upon the load and how dirty the dishes are. Depending upon the soiling, the temperature of the water will be automatically adjusted to between 50°C and 65°C.
- (3) In the Intensiv wash programme an additional programme has been integrated which thoroughly disinfects items such as baby bottles and jam jars. In order to achieve this, in the final wash cycle the temperature is kept at 68°C for at least 10 minutes.
- (4) Test programme for Test Institutes.
- (5) This programme does not need any detergent.

## Starting a washing programme

**1. Check that the baskets have been loaded correctly and that the spray arms can rotate freely**

**2. Turn on the water tap**

**3. Close the dishwasher door**

**4. Press the On/Off button**

The On/Off indicator light will come on (setting mode).

**5. Setting and starting the programme**

**a)** Press the button corresponding to the required programme (see "Washing programmes" chart).

The indicator light of the push button illuminates and in the digital display will appear, flashing, the running time of the programme that has been set (in minutes).

After about 3 seconds from the last pressure of a button the programme starts automatically.

In the digital display the running time of the programme is no longer flashing.

**b)** If you want to set the "delay start" of a washing programme:

Set the delay start before selecting a washing programme.

Press the "delay start" option button until the flashing number of the hours for the delay start will appear in the digital display (from 1h to 19h).

Press the button corresponding to the required programme (see "Washing programmes" chart).

After about 3 seconds the countdown starts automatically.

The countdown will decrease with steps of 1 hour.

Opening the door will not modify or interrupt the countdown.

Once the delay start has elapsed the programme will start automatically.

**Note:** it is possible to select a washing programme and the "delay start" also with the door slightly opened.

In this case the start of the programme or of the countdown will occur after the closure of the door.

a) Press On/Off button.

b) Select a washing programme and if required the "delay start".

c) Close the door.

The programme or the countdown will start automatically after about 3 seconds from the closure of the door.

## 6. To interrupt or cancel a washing programme in progress



**Interrupt, or cancel a washing programme in progress ONLY if it's absolutely necessary**



**Attention!** Hot steam may escape when the door is opened. **Open the door carefully.**

### To interrupt a washing programme in progress

a) Open the dishwasher door; the programme will stop.

Close the door; the programme will start from the point in which it was interrupted.

b) Press the On/Off button (in this case all the indicator light turn off). Press the On/Off button again; the programme will start from the point at which it was interrupted.

### To cancel a washing programme in progress

To cancel a washing programme in progress, press simultaneously function buttons **2** and **3** until all the indicator lights turn off (except for the On/Off indicator light and eventually the rinse aid and salt indicator lights) indicating that the running programme has been cancelled.

(If a new washing programme will be selected, check that there is detergent in the detergent dispenser).

## 7. Cancelling the "delay start" in progress

To cancel a delay start in progress you have to reset the dishwasher; follow the same instructions given in "To cancel a washing programme in progress". Cancelling a delay start involves also the cancelling of the setted washing programme. In this case you have to set the washing programme again.

## 8. End of the washing programme

The dishwasher will automatically stop.

In the digital display appears 0 (remaining programme time), only in this case the programme has ended.

The indicator light of the programme just ended will remain on.

If the door is not immediately opened at the end of the programme, air will circulate inside the dishwasher to prevent residual steam recondensing on the dishes as water droplets.

This device operates intermittently for about 20 minutes, as long as the dishwasher is switched on.

If the On/Off button is pressed or the door is opened during these 20 minutes, the device will be automatically cancelled.

Switch off the dishwasher by pressing the On/Off button, the On/Off indicator light turns off.

Open the door and wait a few minutes before removing the dishes; in this way they will be cooler and the drying will be improved.

## 9. Unloading the dishwasher



Hot dishes are sensitive to knocks. The dishes should therefore be allowed to cool down before removing from the appliance.

Empty the lower basket first and then the upper one; this will avoid water dripping from the upper basket onto the dishes in the lower one.

Water may appear on the sides and the door of the dishwasher as the stainless steel will eventually become cooler than the dishes.

**When the washing programme has finished, it is recommended that the dishwasher is unplugged and the water tap turned off.**

## Maintenance and cleaning



Clean the external surfaces of the machine and control panel with a damp soft cloth. If necessary use only neutral detergents. Never use abrasive products, scouring pads or solvent (acetone, trichloroethylene etc...).

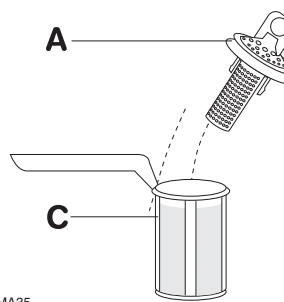
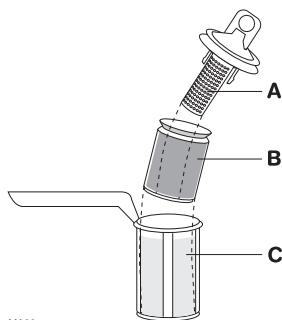
Ensure that the seals around the door, the detergent and rinse aid dispensers are cleaned regularly with a damp cloth.

We recommend every 3 months to run a 65°C wash programme without dishes using detergent.

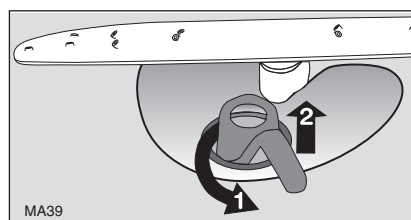
### Cleaning the filters

The filters must be checked and cleaned from time to time. Dirty filters will degrade the washing result.

1. Open the door, remove the lower basket.
2. The dishwasher filter system comprises a coarse (A/B), a microfilter (C) and a flat filter (D).  
*Some dishwasher will only have a coarse filter (A), a microfilter (C) and a flat filter (D).*  
Unlock the filter system using the handle on the microfilter, and remove.

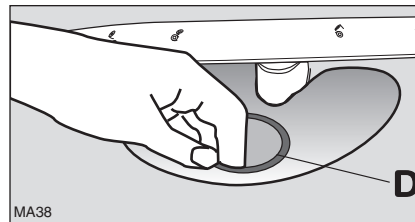


3. Turn the handle about  $\frac{1}{4}$  a turn anticlockwise and remove.



## Operating instructions

4. Take hold of the coarse/fine filter (A/B) by the handle with the hole and remove from the microfilter (C).
5. Clean all filters thoroughly under running water.
6. Remove the flat filter (D) from the base of the washing compartment and clean both faces thoroughly.



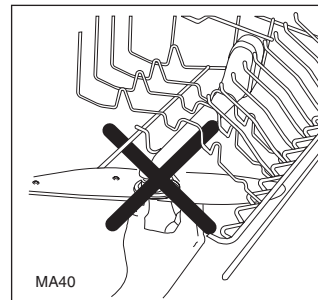
7. Put the flat filter (D) back in the base of the washing compartment.
8. Place the coarse/fine filter (A/B) in the microfilter (C) and press together.
9. Put the filter combination in place and lock by turning the handle clockwise to the stop. During this process ensure that the flat filter does not protrude above the base of the washing compartment.



**Under no circumstances may the dishwasher be used without filters. Incorrect repositioning and fitting of the filters will produce poor washing results.**

**NEVER try to remove the upper spray arm.**

If residues of soil have clogged the holes in the upper spray arm, remove them with a toothpick.



### **Prolonged periods of non-operation**

If you are not using the machine for any period of time you are advised to:

1. Unplug the appliance and then turn off the water.
2. Leave the door ajar to prevent the formation of any unpleasant smells.
3. Leave the inside of the machine clean.

### **Frost precautions**

Avoid placing the machine in a location where the temperature is below 0°C. If this is unavoidable, empty the machine, close the appliance door, disconnect the water inlet pipe and empty it.

### **Moving the machine**

If you have to move the machine (moving house etc...):

1. Unplug it.
2. Turn the water tap off.
3. Remove the water inlet and discharge hoses.
4. Pull the machine out together with the hoses.

Avoid over tilting the machine during transportation.

## What to do, when...

Certain problems are due to the lack of simple maintenance or oversights, which can be solved with the help of the instructions given here, without calling out an engineer.

### ...a flashing fault code appears

The intervention of an alarm is indicated by:

- indicator light of the programme in progress is flashing
- a fault code visible in the digital display.

Open the door and carry out the following suggested corrective actions (see following chart).

Fault code / Malfunction	Possible cause	Solutions
- Indicator light of the programme in progress is flashing. - in the digital display appears: <i>,10</i>  The machine does not fill with water	The water tap is blocked or furred with limescale.	Clean the water tap.
	The water tap is turned off.	Turn the water tap on.
	The filter (where present) in the threaded hose fitting at the water inlet valve is blocked.	Clean the filter in the threaded hose fitting.
	The water inlet hose has not been correctly laid or it is bent or squashed.	Check the water inlet hose connection.
- Indicator light of the programme in progress is flashing. - in the digital display appears: <i>,20</i>  The dishwasher will not drain	The sink spigot connection is blocked.	Clean out the sink spigot connection.
	The water drain hose has not been correctly laid or it is bent or squashed.	Check the water drain hose connection.
- Indicator light of the programme in progress is flashing. - in the digital display appears: <i>,30</i>	Protection against flooding is active.	Close the water tap and contact the Service Force Centre.



Once the checks have been carried out, close the door and press the push button of the programme that was running before the intervention of the alarm, the programme will continue from the point in which it was interrupted. If the fault code reappears contact the Service Force Centre.

If other fault codes not described in the chart will appear, please contact your Service Force Centre.

**...there are problems when operating the dishwasher**

Fault	Possible cause	Solutions
The programme does not start	The dishwasher door has not been properly closed.	Close the door.
	The main plug is not plugged in.	Insert the mains plug.
	The fuse has blown in the household fuse box.	Replace the fuse.
	<b>For dishwasher models with delay start option:</b> Delay start has been selected.	If dishes are to be washed immediately, cancel the delay start.
There is a whistling noise during washing	The whistling is not a cause for concern.	Use a different brand of detergent.

## **...the wash results are not satisfactory**

### **The dishes are not clean**

- The wrong washing programme has been selected.
- The dishes were arranged in such a way as to stop water reaching all parts of the surface. The baskets must not be overloaded.
- The spray arms do not rotate freely due to wrong arrangement of the load.
- The filters in the base of the washing compartment are dirty or incorrectly positioned.
- Too little or no detergent has been used.
- Where there are limescale deposits on the dishes; the salt container is empty or the wrong level of the water softener has been selected.
- The drain hose connection is not correct.
- The salt container cap is not properly closed.

### **The dishes are wet and dull**

- Rinse aid was not used.
- The rinse aid dispenser is empty.

### **There are streaks, milky spots or a bluish coating on glasses and dishes**

- Decrease rinse aid dosing.

### **Water drops have dried onto glasses and dishes**

- Increase rinse aid dosing.
- The detergent may be the cause. Contact the detergent manufacturer's consumer care line.

## Service

In the event of your appliance requiring service, or if you wish to purchase spare parts, contact your local AEG Service Force Centre by telephoning

**08705 929 929**

Your call will be automatically routed to the Service Centre covering your post code area.

For the address of your local Service Force Centre and further information about Service Force, please visit the website at **[www.serviceforce.co.uk](http://www.serviceforce.co.uk)**

### Help us to help you

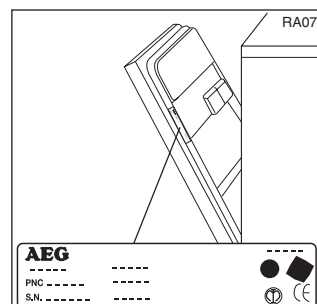
Please determine your type of enquiry before writing or telephoning.

When you contact us we need to know,

- 1 Your name, address and post code
- 2 Your telephone number
- 3 Clear and concise details of the fault code
- 4 Date of purchase
- 5 E-NR (product number)

F-NR (serial number)

This information can be found on the rating plate located on the right inside edge of the door.



### Customer Care

For general enquiries concerning your AEG appliance, or for further information on AEG products, you are invited to contact our Customer Care Department by letter or telephone at the address below or visit our website at [www.aeg.co.uk](http://www.aeg.co.uk)

Customer Care Department

AEG Domestic Appliances

55-77 High Street

Slough

Berkshire

SL1 1DZ

Tel.: 08705 350350 (\*)

*\* calls to this number may be recorded for training purposes*

## Guarantee conditions

### Standard Guarantee Conditions

We, AEG, undertake that if within 12 months of the date of purchase this AEG appliance or any part thereof is proved to be defective by reason only of faulty workmanship or materials, we will, at our option repair or replace the same FREE OF CHARGE for labour, materials or carriage on condition that:

- The appliance has been correctly installed and used only on the electricity or gas supply stated on the rating plate.
- The appliance has been used for normal domestic purposes only, and in accordance with the manufacturer's instructions.
- The appliance has not been serviced, maintained repaired, taken apart or tampered with by any person not authorised by us.
- All service work under this guarantee must be undertaken by a Service Force Centre. Any appliance or defective part replaced shall become the Company's property.
- This guarantee is in addition to your statutory and other legal rights.
- Home visits are made between **8.30am and 5.30pm** Monday to Friday. Visits may be available outside these hours in which case a **premium** will be charged.

### Exclusions

**This guarantee does not cover:**

- Damage or calls resulting from transportation, improper use or neglect, the replacement of any light bulbs or removable parts of glass or plastic.
- Costs incurred for calls to put right an appliance which is improperly installed or calls to appliances outside the United Kingdom.
- Appliances found to be in use within a commercial environment, plus those which are subject to rental agreements.
- Products of AEG manufacture which are not marketed by AEG.

## European Guarantee

If you should move to another country within Europe then your guarantee moves with you to your new home subject to the following qualifications:

- The guarantee starts from the date you first purchased your product.
- The guarantee is for the same period and to the same extent for labour and parts as exists in the new country of use for this brand or range of products.
- This guarantee relates to you and cannot be transferred to another user.
- Your new home is within the European Community (EC) or European Free Trade Area.
- The product is installed and used in accordance with our instructions and is only used domestically, i.e. a normal household.
- The product is installed taking into account regulations in your new country.

Before you move please contact your nearest Customer Care centre, listed below, to give them details of your new home. They will then ensure that the local Service Organisation is aware of your move and able to look after you and your appliance.

France	Senlis	+33 (0) 344 62 29 29
Germany	Nurnberg	+49 (0) 800 234 7378
Italy	Pordenone	+39 (0) 800 117511
Sweden	Stockholm	+46 (0) 8 672 53 60
UK	Slough	+44 (0)1753 219899

## Technical specifications

Dimensions:	Width	45 cm
	Height with worktop	85 cm
	Height without worktop	82 cm
	Max depth	63 cm
	Max depth with open door	118,5 cm
<b>Electrical connection:</b> Voltage Overall power Fuse	Information on the electrical connection is given on the rating plate on the inner edge of the dishwasher's door.	
Water supply pressure:	Minimum	50 kPa (0.5 bar)
	Maximum	800 kPa (8 bar)
Capacity:	9 place settings	



This appliance complies with the following E.E.C. Directives:

- 73/23 or 19.2.73 (Low Voltage Directive) and subsequent modifications;
- 89/336 or 3.5.89 (Electromagnetic Compatibility Directive) and subsequent modifications.

## Installation instructions



**Any electrical and/or plumbing work required to install this appliance should be carried out by a qualified electrician and/or plumber or competent person.**

Remove all packaging before positioning the machine.

If possible, position the machine next to a water tap and a drain.

### Fitting under a counter

(kitchen worktop or sink)

By removing the machine's worktop, you can install it under a close fitting sink unit or a pre-existing top, providing the dimensions of the recess correspond to those shown in the picture.

#### Proceed as follows:

Remove the machine's worktop by unscrewing the two rear retaining screws, pull the worktop from the back of the machine and slide out the front slots, lifting the worktop.

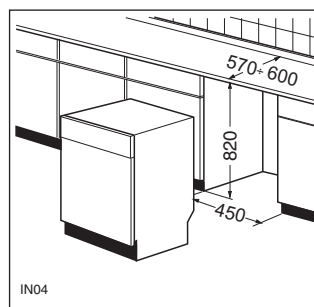
Insert the machine after adjusting height and levelling with the adjustable feet. When inserting the machine, ensure that the water inlet and drain hoses are not kinked or squashed.

During all operations that involve accessibility to internal components the dishwasher has to be unplugged.

Be sure that once the appliance has been installed, it is easily accessible for the Service Force Engineer.

If the dishwasher is later used as a free-standing appliance, the original worktop must be re-mounted.

The plinth on free-standing appliances is not adjustable.



### Levelling

Good levelling is essential for correct closure and sealing of the door.

When the appliance is correctly levelled, the door will not catch on either side of the cabinet.

If the door does not close correctly, loosen or tighten the adjustable feet until the machine is perfectly level.

## Water supply connections

For making the connection itself, the coupling nut fitted to the machine's supply hose is designed to screw onto either a 3/4" inch gas thread spout .

The water pressure must be within the limits given in the "Technical specifications". Your local Water Authority will advise you on the average mains pressure in your area.

The water inlet hose must not be kinked, crushed, or entangled when it is being connected up.

The dishwasher features fill and drain hoses which can be turned either to the left or the right to suit the installation by means of the locknut. **The locknut must be correctly fitted to avoid water leaks.** (*Attention! NOT all models of dishwashers have fill and drain hoses provided with locknut. In this case, this kind of facility is not possible*).

If the machine is connected to new pipes or pipes which have not been used for a long time, you should run the water for a few minutes before connecting the inlet hose.



**Do not use, for connection, old hoses which have been used in another appliance.**

The dishwasher is fitted with safety devices that prevent the wash water returning into the drinking water system and comply with the applicable plumbing regulations.



## **Water inlet hose with safety valve**

After connecting the double-walled water inlet hose, the safety valve is next to the tap. Therefore the water inlet hose is only under pressure while the water is running. If the water inlet hose starts to leak during this operation, the safety valve cuts off the running water.

### **Please take care when installing the water inlet hose:**

- The electrical cable for the safety valve is in the double-walled water inlet hose. Do not immerse the water inlet hose or the safety valve in water.
- If water inlet hose or the safety valve is damaged, remove the mains plug immediately.
- A water inlet hose with safety valve must only be replaced by a Service Force Engineer.
- Place the water inlet hose in such a way that it is never higher than the bottom edge of the safety valve.
- The water inlet hose must hang vertically down from the water supply tap.

## Water outlet hose connection

The end of the drain hose can be connected in the following ways:

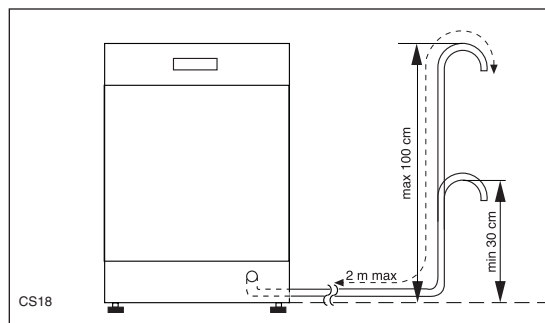
1. To the sink outlet spigot, securing it to the underside of the work surface. This will prevent waste water from the sink running into the machine.
2. Hooked over the edge of the sink using the special curved plastic guide (*if provided with the machine*).
3. To a stand pipe provided with vent-hole, minimum internal diameter 4 cm.

The waste connection must be at a height of between 30 cm (minimum) and 100 cm (maximum) from the bottom of the dishwasher.

The drain hose can face either to the right or left of the dishwasher. Ensure the hose is not bent or squashed as this could prevent or slow down the discharge of water.

The sink plug must not be in place when the machine is draining as this could cause the water to syphon back into the machine.

If you use a drain hose extension it must be no longer than 2 metres and its internal diameter must be no smaller than the diameter of the hose provided.



Likewise the internal diameter of the couplings used for connections to the waste outlet must be no smaller than the diameter of the hose provided.

### **Attention!**

*Our appliances are supplied with a security device to protect against the return of dirty water back into the machine.  
If the spigot of your sink has a "no return valve" incorporated this can prevent the correct draining of your dishwasher.  
We advise you therefore to remove it.*

## Electrical connection

If the plug that is fitted to your appliance is not suitable for the socket, it must be cut off and the appropriate plug fitted.

### Important!

The wires on the mains lead are coloured in accordance with the following code:

Green and Yellow	-Earth
Blue	-Neutral
Brown	-Live

If you fit your own plug, the colours of the wires in the mains lead of your appliance may not correspond with the markings identifying the terminals in your plug.

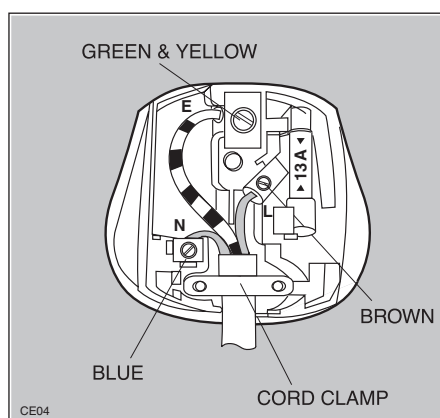
Proceed as follows:

1. Connect the Green and Yellow (earth) wire to the terminal in the plug which is marked with the letter "E" or the earth symbol  $\oplus$  or coloured green and yellow.
2. Connect the Blue (neutral) wire to the terminal in the plug which is marked with the letter "N" or coloured black.
3. Connect the Brown (live) wire to the terminal in the plug which is marked with the letter "L" or coloured red.

The plug moulded onto the lead incorporates a 13amp BSI362 fuse. Only ASTA or BSI fuses should be used.

The plug must not be used if the fuse cover/carrier is lost. The cover/carrier is indicated by the coloured insert at the base of the product.

A replacement cover/carrier must be obtained from your local Service Force Centre.



**This appliance must be earthed.**



**The manufacturer declines any responsibility should this safety measure not be observed.**

### Warning!

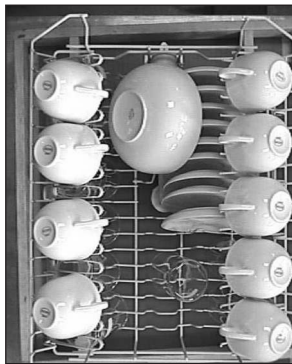
**A cut-off plug inserted into a 13amp socket is a serious safety (shock) hazard. Ensure that the cut-off plug is disposed of safely.**

## Hints for test centres

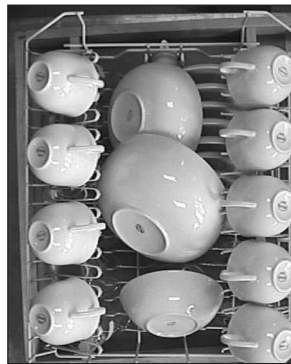
Testing in accordance with **EN 60704** must be carried out with appliance fully loaded and using the test programme (see "Washing programmes" chart).

Testing in accordance with **EN 60242** must be carried out when the salt dispenser and rinse aid container have been filled with salt and rinse aid respectively and using the test programme (see "Washing programmes" chart).

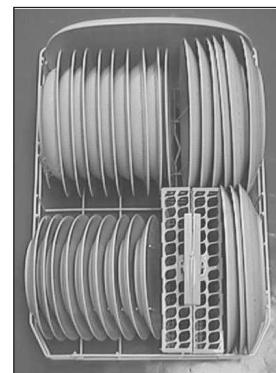
Load:	9 standard place settings
Rinse aid setting	Position 4 (type III)
Detergent dosage:	5 g + 20 g (type B)



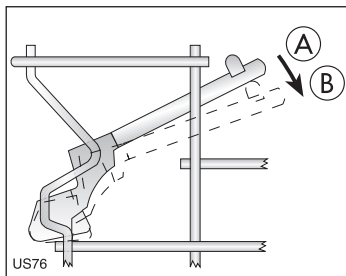
Arrangement upper basket: without smaller bowl and salad-bowl



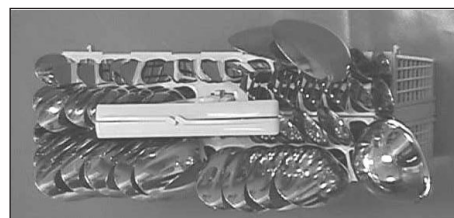
Arrangement upper basket: with smaller bowl and salad-bowl



Arrangement lower basket



Cup racks: position A



Arrangement cutlery basket









**From the Electrolux Group. The world's No.1 choice.**

*The Electrolux Group is the world's largest producer of powered appliances for kitchen, cleaning and outdoor use. More than 55 million Electrolux Group products (such as refrigerators, cookers, vacuum cleaners, chain saws and lawn mowers) are sold each year to a value of approx. 14 billion USD in more than 150 countries around the world.*

AEG Hausgeräte GmbH  
Postfach 1036  
D-90327 Nürnberg  
<http://www.aeg.hausgeraete.de>

© Copyright by AEG

152 963 20/0

*Subject to change without notice*