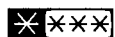


ARCTIS 2202GS

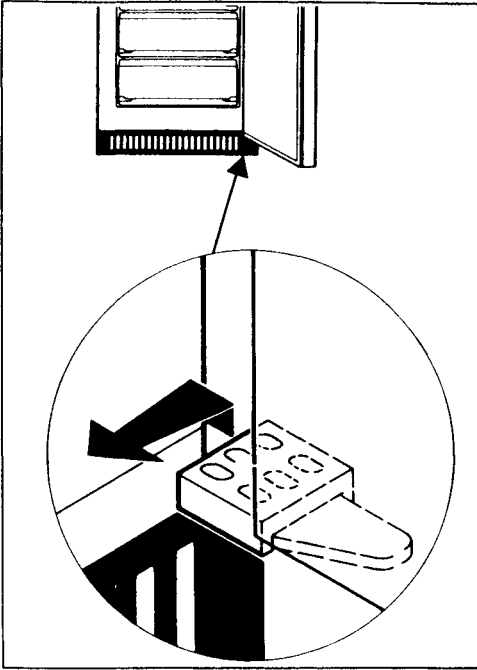
Upright Freezer



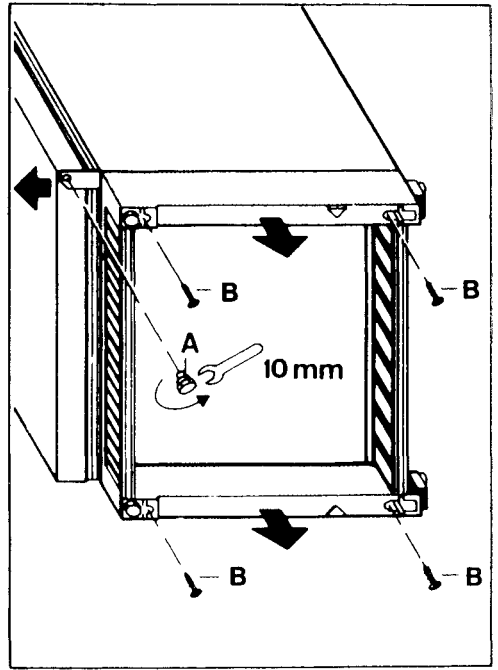
Operating Instructions

Contents

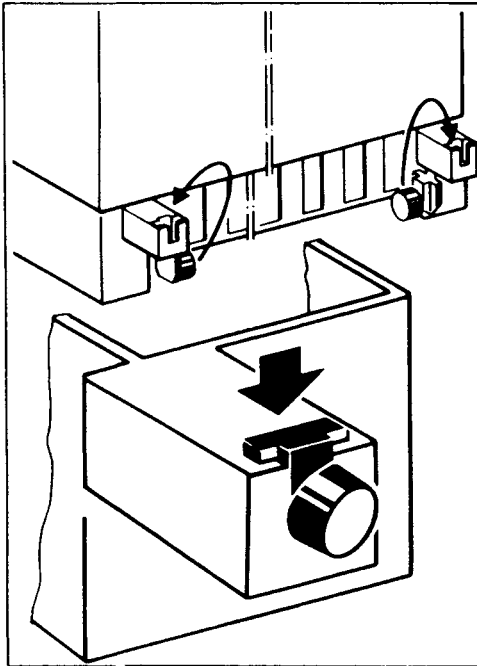
	Page
Illustration pages (please unfold)	3-6
General notes	15
Changing over the door hinges	16/17
Starting up	18
Temperature regulation	19
Freezing and storage	19
The do's and don'ts of storing frozen food	20
Defrosting and cleaning	20/21
Faults and servicing	21
Hints on energy saving	22



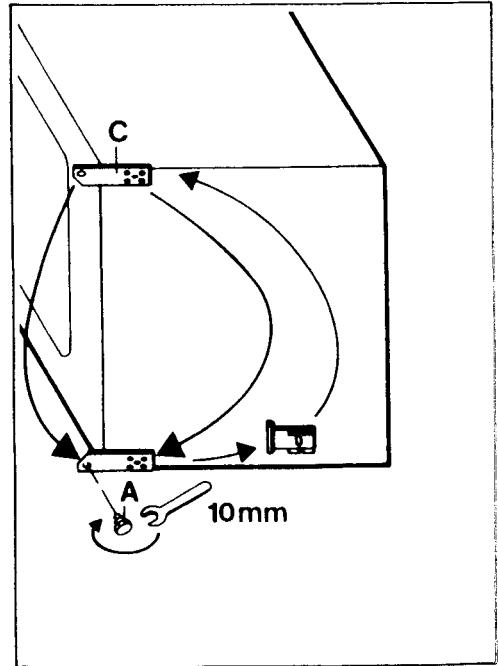
1



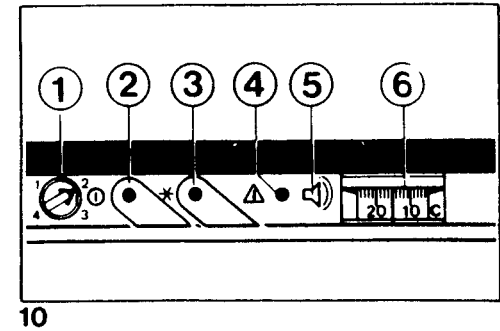
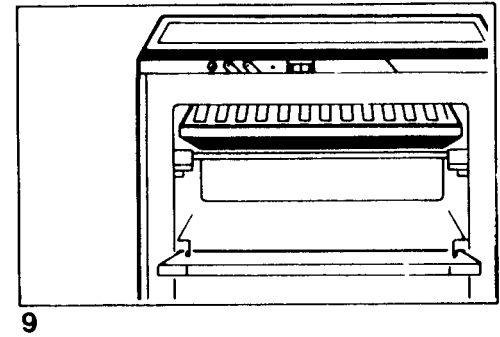
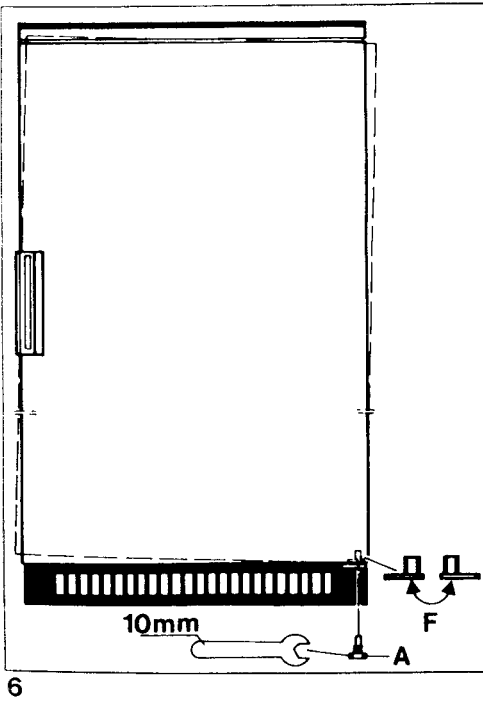
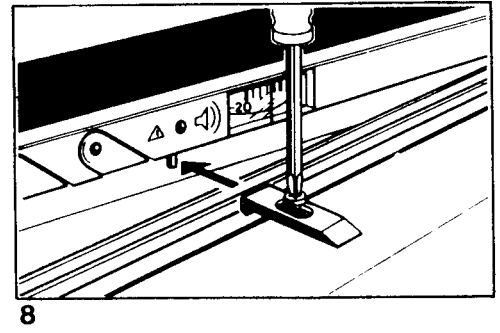
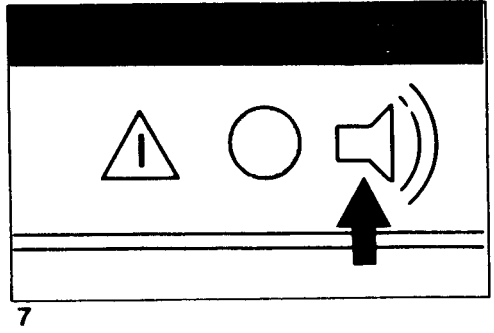
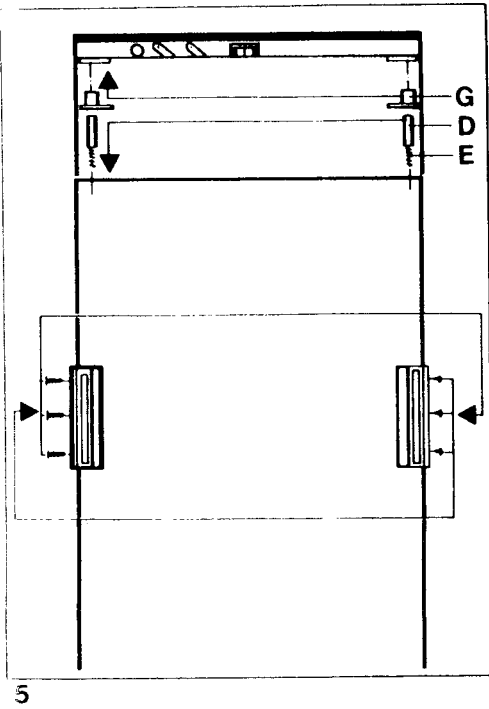
3

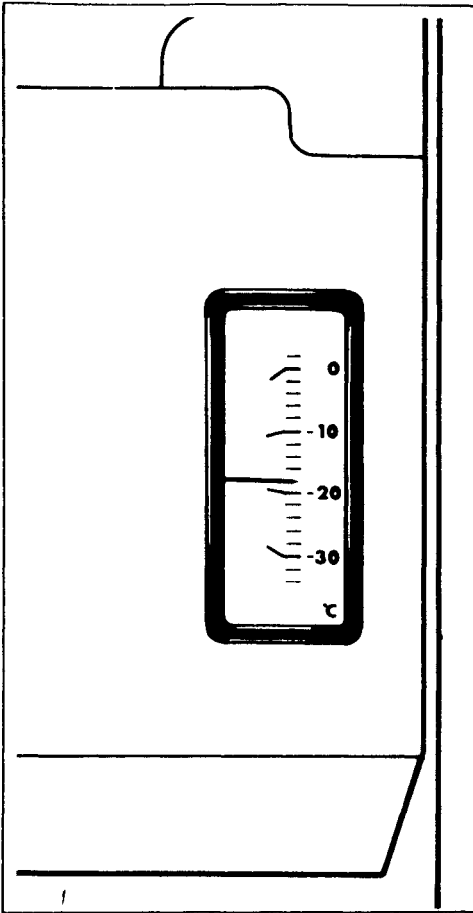


2

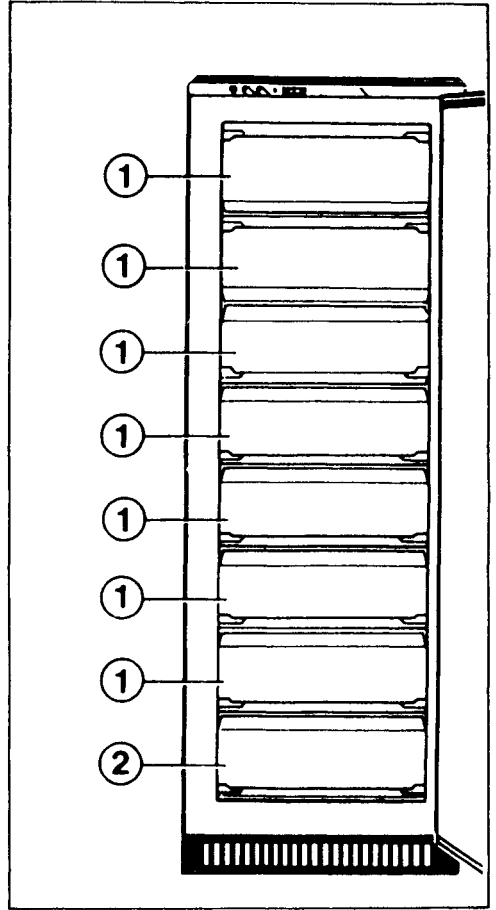


4

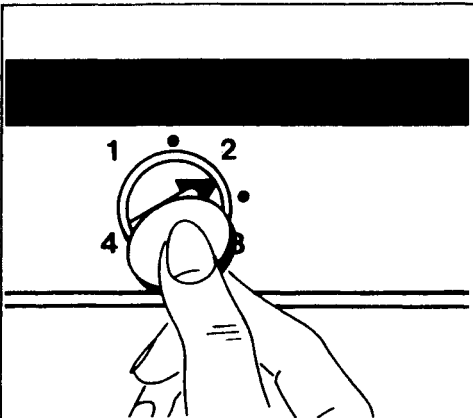




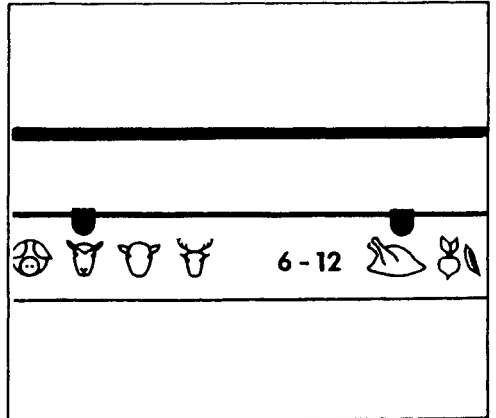
11



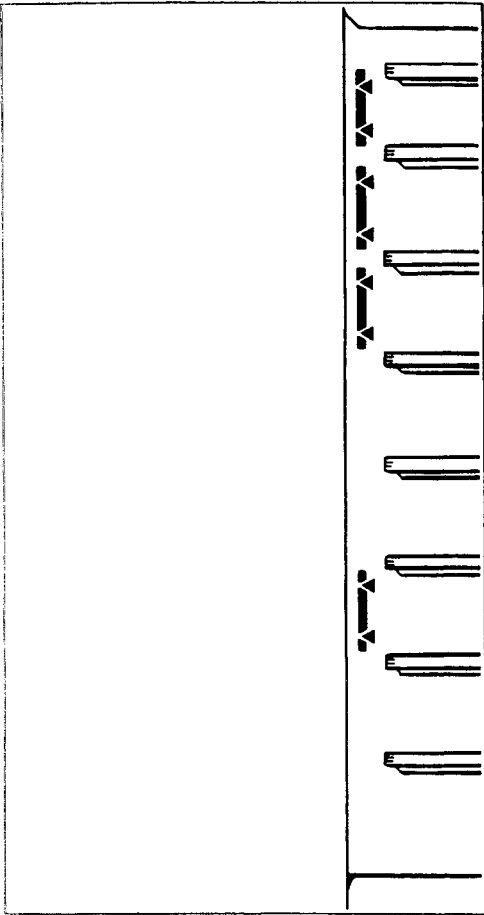
13



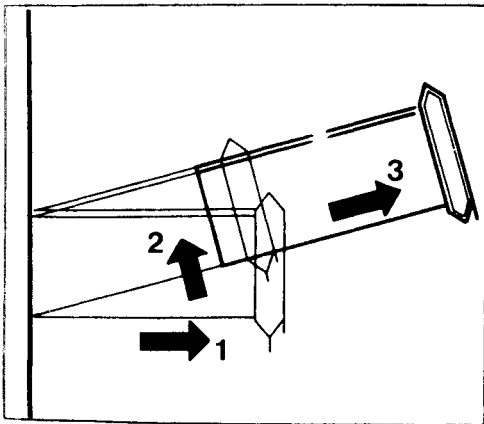
12



14



15



16

IMPORTANT

If your new appliance has been bought as a replacement for an older model, please make the old appliance unusable at once: pull the plug out of the socket, cut the connecting lead off, and dispose of the plug together with the remaining lead in an environmentally friendly manner.

Any catch or lock on your old appliance should also be made unusable before you put the appliance away or hand it over to be disposed of in an environmentally friendly manner. In this way you can prevent children locking themselves in when playing and thus endangering their lives.

Please make sure that the pipelines of your refrigerator are not damaged before collection for environmentally appropriate disposal.

Appliance Packaging Information

All used materials are environmentally compatible! They can be safely disposed of or burnt in a refuse incinerator!

Regarding the materials: the plastics can also be recycled and are marked as follows:

- ▷PE for polyethylene e.g. as used in the outer wrapping and bags inside
- ▷PS for polystyrene foam e.g. as used in the packing; this material is basically CFC-free

The cardboard parts are made of waste paper and should be put back into the waste paper collection system.

General instructions

You have just purchased an upright freezer which has been produced according to the standards applicable to these appliances. During manufacture, the necessary measures have been taken as required by the Appliance Safety Act, the Accident Prevention Regulations for Refrigerating Installations (VBG 20), and the Requirements of the Association of German Electrical Engineers (VDE).

The refrigeration circuit has been checked for leakage.

This appliance meets the radio interference suppression requirements of EC Directive 82/499 EC and the standards concerning the effects of electrical appliances on power systems EN 60 555 Parts 1-3/DIN VDE 0838 Parts 1-3, June 1987.

Before starting up, we recommend you to read the following Instructions for Use, since only by doing so can you benefit all the advantages offered by your freezer.

These operating instructions are intended for several similar models with different equipment features.

Commercial use

Should you use your home freezer commercially or for purposes other than deep frozen storage of food and drinks, you must observe the legal requirements applicable to your area.

Place selection

If possible, your freezer should be installed in a dry, well-ventilated room.

If your freezer is installed in a damp room or if it is exposed to high air humidity due to weather conditions, moisture may be temporarily precipitated on its outside (dew formation).

Never install near a heater, oven, or in direct sunlight. If installation next to a source of heat is unavoidable, make sure that the following minimum side clearances are observed:

Distance from electric cookers: 3 cm.

Distance from oil or coal fired kitchen ranges: 30 cm.

Place a thermal insulation board between both appliances. If the freezer is to be installed next to a refrigerator, a clearance of 2 cm is necessary to allow ventilation and to prevent condensation.

Do not install in a room whose temperature may exceed +32 °C for any length of time.

The appliance should be installed on a firm surface. Correct any floor irregularities by twisting the adjustable feet in or out.

Removing the adhesive tape

The freezer door is secured to the housing by means of adhesive tape. Remove the tape and clean off any residues of adhesive with a petroleum-based cleaning agent.

Removing the transport protection

Fig. 1

Open the freezer door to an angle of 90° and lift out the protective packing as shown in the sketch.

Your freezer needs air

Fig. 2

Your freezer features maintenance-free operation. What should never be missing is good ventilation so

that the heat generated on the rear wall of the freezer can be dissipated.

Air is supplied under the door through ventilation slots in the plinth. Air is extracted via the free gap behind the upper storage area. Ensure that these openings are not obstructed. Both wall spacers are to be inserted into wall spacer holders rigidly connected to the plinth (see diagram) to achieve the correct wall distance to the ventilation grille.

If your freezer is built-in or surmounted by other units, good ventilation is also to be ensured.

The air outlet openings into the free space must each be at least 200 cm².

The minimum distance between the upper edge of your freezer and a surmounting unit (e. g. overhead cabinet) must be 5 cm.

Electrical connection

WARNING – THIS APPLIANCE MUST BE EARTHED

Please ensure that the voltage and current indicated on the rating plate agrees with the voltage of your electricity supply.

220/240 volts ~ (i. e., 220/240 V AC).

If your appliance has been equipped with a mains lead with a moulded-on type plug, you must comply with the following regulations: The plug moulded on to the cord incorporates a fuse. For replacement, use a 13 amp BS 1362 fuse. Only ASTA approved or certified fuses should be used. The fuse cover/carrier must be replaced in the event of changing the fuse. The plug must not be used if the fuse cover/carrier is lost. A replacement cover/carrier must be obtained from an electrical goods retailer. If the socket outlets in your home are not suitable for the plug fitted to the appliance, then the plug must be cut off and an appropriate one fitted. When fitting the plug please note the following points:

Important

The wires in the mains lead are coloured in accordance with the following code:

Green and Yellow	Earth
Blue	Neutral
Brown	Live

As the colours of the wires in the mains lead of this appliance may not correspond with the coloured markings identifying the terminals in your plug, proceed as follows:

1. The wire which is coloured **GREEN** and **YELLOW** must be connected to the **EARTH** terminal in your

plug, which is marked with the letter **E** or by the earth symbol \perp or coloured **GREEN**, or **GREEN** and **YELLOW**.

2. The wire which is coloured **BROWN** must be connected to the **LIVE** terminal which is marked with the letter **L** or coloured **RED**.
3. The wire which is coloured **BLUE** must be connected to the neutral terminal which is marked with the letter **N** or coloured **BLACK**.

When wiring the plug, ensure that all strands of wire are securely retained in each terminal. Do not forget to tighten the mains lead clamp on the plug.

Warning! A cut off plug inserted into a 13 amp socket is a serious shock hazard. Ensure that the cut off plug is disposed of safely.

Voltage 220/240 V AC

Fuse rating 13 amps

See rating plate for further information.

The rating plate is located inside the appliance on the top LH side.

Plug socket

The plug socket necessary for connection of the freezer to the electricity supply should be positioned so that it is possible to pull out the appliance plug.

Changing over the door hinges

Fig. 3, 4, 5

Before connecting your freezer to the power supply, you should check whether the door must be rehinged from right (as delivered) to left, if this is required by installation site and operability.

Place your freezer on its LH side on a prepared surface so that the external housing is not damaged.

To remove the door, loosen bearing pin (A). Pull door off housing and remove sideways.

Place door aside and protect against damage.

Keep bearing pin (A) in a safe place.

Unscrew four cross-slot screws (B) from plinth and keep in a safe place.

Remove plinth and RH door bearing (C) and LH plinth blank bearing as per sketch.

Refit bearing pin (A) in door bearing. Screw back plinth.

Place freezer upright again.

Reverse assymmetric socket (G).

Remove bearing pin (D) with spiral spring (E) and insert into door above on LH side. Fit door below in

bearing pin (A), press in bearing pin (D), and engage above in door bearing.

Rescrew door handle as per sketch.

Plug screw holes with grooved pins.

Aligning the freezer door

Fig. 6

Where necessary, the LH door upper edge on a door hinged at the right or the RH door upper edge on a door hinged at the left can be raised or lowered.

Remove door.

Remove bearing pin (A).

Lift door from door bearing below and remove downwards.

Remove eccentric bearing bushing (F) from door below and change as appropriate.

Refit door.

Opening the freezer compartment door – instructions for magnetic door seal and QUICK door release

If the door of your freezer is opened and then closed during operation, you will not be able to open it again immediately, since a vacuum will have arisen keeping the door closed until the pressures inside and outside have equalized.

After a few minutes, you will easily be able to open the door.

If your freezer is equipped with a QUICK door release – an opening mechanism integrated in the door handle – easy door opening is possible at all times.

Please make sure that both carriers engage the first fold of the door seal behind the perceptible magnetic insert.

Temperature acoustic warning

Fig. 7

If your freezer is fitted with a temperature acoustic warning (see illustration), an acoustic warning will sound (intermittent warning tone) at the same time as the red temperature warning light comes on. This tells you that the storage temperature inside the appliance is too high or too warm.

This is an intermittent warning tone on models simultaneously fitted with a door acoustic warning. On all

other models fitted only with the temperature acoustic warning, a continuous warning tone sounds.

The acoustic warning will sound until the red temperature warning light goes out or until it is cancelled by operating the fast freeze switch. The fast freeze switch can be switched off when the red light has gone out.

Acoustic warning when door is open

If your freezer is fitted with a door acoustic warning – an additional safety device – an acoustic warning (intermittent warning tone) sounds not later than after 80 seconds if you leave the door open for too long and waste costly energy or if you have not closed the door properly.

If the door is reclosed, the warning switches off.

Internal lighting

If your freezer is fitted with internal lighting, this automatically switches on when the freezer door is opened.

The 15 W bulb is located under the indicator and control panel on the appliance above.

The freezer contents are also thereby readily visible in poorly lit rooms.

The lighting is automatically switched off when the door is closed.

Adjustment of contact sensor for door acoustic warning and/or internal lighting

Fig. 8

If, e. g. even when the door is closed, the lighting does not switch off automatically or the door acoustic warning sounds, you must re-adjust the contact sensor on the door above.

For this purpose, loosen the cross-slot screw of the contact sensor and shift the contact sensor to the inside of the door.

Retighten screw.

By opening and closing the door, check function of internal lighting and/or door acoustic warning, ensuring that the acoustic warning sounds not later than 80 seconds after door opening when the door is open.

Cold store

Your freezer is equipped with a large cold store, which, in the event of power failure, fault, or moving house, keeps your frozen food safe for several hours.

It is also suitable as a ready means of cooling and keeping food and drinks fresh immediately prior to serving.

Freezing tablet with cold storage unit

Above the upper refrigerating unit (behind the upper refrigerator compartment flap), some models have a freezing tablet with cold storage units and – where featured – ice-trays. The cold storage units placed at the front prolong the time until the frozen food is subjected to any inadmissible warming for several hours in the event of power failure, faults, or moving house. They can also be temporarily used for cooling in a cooler bag. To refreeze, see instructions under "Before starting up".

In the ice-trays inserted at the rear, ice-cubes of different shapes and sizes can be made.

On the freezing tablet, berries can be prefrozen and then packaged in portions when frozen and stored, the shape of the berries being retained.

Before starting up

Fig. 9

In common with all new appliances, your freezer will emit a specific odour when new.

It is advisable to clean the interior of the freezer and all accessories before use (see also "Defrosting and cleaning").

Before starting up, take the cold storage unit (or the cold storage units, according to model features) out of your freezer.

When the optimum storage temperature of -18°C has been achieved, place it directly on a refrigerating unit in a freezer compartment for faster freezing. After around 24 h, you can then place it in the intended position (see diagram) – above the uppermost refrigeration unit behind the uppermost freezer compartment flap. If you have used the cold store for cooling and keeping food fresh on the table, you should freeze the thawed-out cold store according to the same procedure.

Indicator and control panel

Fig. 10

- ① Temperature regulator,
- ② On/off switch with green mains pilot light,
- ③ Fast freeze switch with amber pilot light,
- ④ Red temperature pilot light (warning),
- ⑤ Symbol for equipment with temperature acoustic warning (warning tone),
- ⑥ External thermometer (power-independent)

Fig. 11

Internal thermometer instead of external thermometer in uppermost freezer compartment flap in freezer – depending on model.

Starting up

Fig. 10

Insert the mains plug of your chest freezer into a socket fitted as prescribed with a protective contact (plug socket). By pressing the **on/off switch (2)**, the appliance is switched on. The **green mains pilot light in switch (2)** and the **red temperature pilot light (4)** show. The **temperature acoustic warning (5)** (where available) also sounds.

The green mains pilot light in the on/off switch is the operating light and must continuously show.

The red temperature pilot light tells you that the storage temperature has not yet been achieved or has been exceeded (warning).

Now additionally operate the **fast freeze switch (3)**. The **amber pilot light in the switch (3)** shows, and the refrigerating unit operates in continuous mode.

When the fast freeze switch is pressed, the temperature acoustic warning (warning tone) immediately ceases.

When the **red temperature pilot light (4)** has gone out, switch off the **fast freeze switch (3)**. The amber pilot light goes out.

The **red temperature pilot light (4)** and the **temperature acoustic warning (5)** (where available) give an alarm if:

- if the storage temperature has not yet been reached during appliance startup;
- if the storage temperature is no longer being maintained (fault);
- if too much fresh food is inserted.

Important: Check regularly on the temperature pilot light and thermometer that the storage temperature is being maintained.

Temperature regulation

Fig. 12

The **temperature regulator** (thermostat) can be used for continuous setting of the most economical storage temperature for your frozen food. It can be set to the positions 1–4 and also intermediate settings.

Setting "1" means:

highest, warmest temperature.

Setting "4" means:

lowest, coldest temperature.

Recommended regulator setting: 1.5 to 2.

Since the ambient temperature, type, and quantity of frozen food being stored as well as the frequency and duration of door opening are decisive for the optimum storage conditions of -18°C or colder, you must monitor the internal temperature on the thermometer. Set the temperature so that the indicated temperature comes to -18°C .

Important: If you operate the fast freeze switch or adjust the temperature regulator, it may happen that the refrigerating unit of your freezer does not start immediately, but only after some time. In this case, there is no fault in your appliance.

On models with an external thermometer, the temperature sensor in the freezer is placed so that it indicates the temperature of the warmest location in the appliance. Through temperature layering effects and different appliance loading, colder temperatures may simultaneously occur at other locations.

Freezing and storage

Fig. 13

Your freezer can be used for storage of frozen food and for freezing of fresh food.

Before filling the freezer for the first time with frozen food (deep-frozen food), the optimum storage temperature of -18°C must have been attained.

If you intend to freeze food yourself, please note the following instructions:

Freeze only sound fresh food.

Do not freeze too large a quantity at any one time. The quality of the food is best preserved when it is frozen right through to the core as quickly as possible. Do not exceed the freezing capacity of your appliance as indicated on the rating plate as well as the approximate freezing capacities in kg/24 hrs given in the table opposite.

Holding capacity in litres	184	228	267	307
Energy-saving freezers in kg	24	26	28	30
Normally insulated freezers in kg	23	23	26	—

If you want to carry out freezing on several consecutive days, only utilize 2/3 to 3/4 of the maximum capacity. To utilize the maximum rated freezing capacity, switch on the fast freeze switch 24 hours before freezing is due to commence (the amber light will now show). Some 4 to 6 hours will suffice in the case of smaller quantities.

Small quantities (up to 3 kg) can be frozen without any need to operate the fast freeze switch.

Place the packed frozen food directly on the refrigerating unit of a freezer compartment with flap or in a freezer drawer (1).

Freezing is the more possible in any freezer compartment or freezer drawer (1), since each level is fitted with its own refrigerating unit.

Take special care not to mix already frozen foods with those not yet frozen.

The freezer drawer (2) should only be used for storage of frozen food. It also serves as a practical thaw water collector if you defrost your freezer.

After around 24 hours (sooner for smaller quantities), cancel the fast freeze switch.

After freezing, you can leave the frozen food at the respective freezer level.

If further food is to be frozen, you must retain the fast freeze setting and restack the frozen food according to your adopted arrangement in the drawers and compartments to have free freezing areas available.

Note for test centres

Stacking diagrams for determination of freezing capacity and warm-up time can be requested directly from the manufacturer.

Food symbols

Fig. 14

Some freezer models are provided with food symbols on the compartment flaps and drawers. Sort the food to be frozen according to type and place it in separate compartments.

Place the markers supplied on the appropriate symbols. In this way you will save time when retrieving the food and the door will be left open for as short a time as possible, thus saving electricity.

Freezer calendar

The figures next to the symbols indicate the maximum storage time in months, whereby several types of food have been grouped under each set of figures.

Further details are contained in the freezer book.

Transparent compartment flaps and drawers

Several models are equipped with transparent compartment flaps and drawers. Sort the food to be frozen according to type, and place it in separate drawers.

Thus you can tell at a glance where a particular type of food is stored and where you still have space available for storage. This means that the door will be left open for as short a time as possible, thus saving electricity.

The do's and don'ts of storing frozen food

Once the freezing process is completed, deep-frozen storage takes place in the temperature range below -18°C , the freezer system being regulated automatically (fast freeze switch switched off).

When freezing food yourself, please note the storage times indicated in the freezer book.

For storage of already frozen food, it is imperative to note the storage time specified by the manufacturer on the packing.

Make sure that only packed food is stored in the freezer, since unpacked food will soon dry out when exposed to the extreme cold. With the exception of spirits and drinks containing a higher percentage of alcohol, beverages in glass bottles, particularly, soft drinks containing carbon dioxide, juices, beer, wine, etc. should not be stored in the freezer. When the contents freeze, the glass bottles will crack or even burst.

Never handle deep-frozen food with wet hands. Your hands could easily become frozen to the food.

Never use the freezer as a means of cooling hot meals, since this causes heavy frost formation inside and an increase in electricity consumption.

If you want to utilize fully the effective capacity of your appliance and need to store an especially large quantity of deep-frozen food, you can remove all freezer drawers as far as the lowest one. You can

then store frozen food directly on the refrigerating unit. Even when food is loaded in this manner, the functional safety of your appliance is assured.

Maximum loading/filling mark

Fig. 15

Please note that, when the freezer drawers are removed in all compartments, you should store frozen food only at most as far as the projecting mark (see diagram). The mark is located on the LH side inside the freezer.

Removing the freezer drawers

Fig. 16

The stable freezer drawers are protected against tilting and retained in end position. This ensures safe and convenient storage and removal of frozen food.

To remove, pull the drawer out as far as its retention, tilt it upwards, and withdraw it forwards.

Freezer book with stored food chart

The Freezer Book contains all detailed information and hints on freezing and storage. It also contains the stored food chart in which you can do your "bookkeeping".

Enter the stored food with storage dates in soft pencil. In this way, you will at all times have a handy external survey of your frozen food stocks and storage times. No more unnecessary searching and no cold losses through prolonged door opening times. After taking out the frozen food, do not forget to rub out the corresponding entry.

Defrosting and cleaning

During operation and when the door is opened, the moisture in the air entering the freezer condenses in the form of frost, especially on the upper refrigerating unit, in front.

This should be removed from time to time with a plastic scraper, e. g. pastry scraper (not with a knife or the like). It is not necessary to switch off the freezer when doing so. To prevent heavy frost formation, keep the freezer door closed as much as possible.

Your freezer should be defrosted at least once a year or as soon as the layer of frost has reached

around 4 mm. This is best done when the freezer is completely or partly empty.

Any temperature rise will reduce the time for which the frozen food can be kept. Before defrosting therefore, switch over your freezer to "Fast Freeze" for around 12 hours to build up sufficient low-temperature reserve.

All food packages remaining in the freezer, hermetically packed if possible, should then be wrapped in several layers of newspaper and stored in a cool place (e. g. refrigerator).

When being defrosted and cleaned, the freezer should basically not be connected to the mains supply. Therefore pull out mains plug or remove fuse. To defrost, remove all freezer drawers – as far as the lowest one – from the freezer.

The lowest freezer drawer serves as a practical thaw-water collector in which the thaw-water can be conveniently removed after defrosting.

You can accelerate the defrosting process by placing a bowl of hot water in the freezer and removing the lumps of ice before they are completely melted.

Never attempt to accelerate defrosting by means of electric heating or warming appliances, or the like! You are otherwise at risk of a serious accident yourself and your freezer also at risk of failure.

After defrosting the freezer, wash inside and out as well as accessories with lukewarm water to which a mild detergent can be added. Then rinse with clean water and wipe dry.

Finally, switch the freezer back on. The frozen food can be placed back inside after around 10 minutes (see also "Starting up").

When not in use

If your freezer is to remain unused for any length of time, it must be disconnected (unplugged) from the electricity supply. It should then be defrosted, cleaned thoroughly and then left for as long as possible with the door open in order to prevent any odours from forming.

Faults and servicing

In order to ensure absolute safety always have any necessary repairs, especially repairs to the electrical parts of the appliance, carried out by a qualified electrician. In the event of a breakdown, therefore, you are advised to call either the dealer from whom you purchased the freezer or our after-sales service department direct.

Before approaching our after-sales service, check whether the pilot lamps come on, the refrigerating unit operates, and the internal temperature is being maintained.

If, for example, the green light goes out whilst the freezer is operational, switch over to "Fast Freeze". If the amber light comes on, the green light is defective.

If the amber light does not come on when set to "Fast Freeze", but the refrigerating unit is operational, this means that the amber light must be replaced.

If neither of the pilot lights is on, first check that the power supply has not been cut off (mains plug house fuse, overall power failure in the supply system, etc.). If necessary, contact your electrician immediately.

If the red light comes on, or the temperature inside the freezer has risen sharply without fresh food having been inserted or the appliance door having been open for any length of time, this means that there is a fault. Switch to "Fast Freeze", keep your freezer closed, and notify our after-sales service immediately (see list of service centres). In this case, do not carry out any repairs yourself, especially in the electrical parts of the appliance.

When doing so, please quote

- the type,
- E.-number and
- F.-number of your appliance.

The rating plate bearing this information is located inside the appliance on the top left-hand side.

Keep the freezer closed and inform our after-sales service department whether or not the refrigeration system is still operating. If the system is not working the reserves of cold in the large cold store and in the frozen food – when the freezer is full – will be sufficient to bridge the times indicated in the adjacent table.

Holding capacity in litres	184	228	267	307
Energy-saving freezers	45	40	40	39
Storage time in hours	42*)	38*)	38*)	36*)
Normally insulated freezers	32	31	28	—
Storage time in hours	30*)	30*)	28*)	—

*) concerning models with freezing tablet

N.B.1 Unjustified after-sales service calls must be paid for even during the guarantee period.

Important: Check regularly on the red temperature pilot light and thermometer that the storage temperature is being maintained.

Minor repairs that you can carry out yourself

- Internal lighting:

If the bulb is defective, you can easily replace this yourself. For this purpose, de-energize (unplug) the appliance. The bulb is freely accessible below the indicator and control panel on the appliance above.

Use only a spare 15 W lamp.

- Spare parts:

Spare parts can be ordered from the service centre. You can fit these yourself without any special skill or training, e. g.

- compartment flaps,
- internal thermometer in compartment flaps,
- compartment flap bearings,
- freezer drawers,
- door handle.

Place the freezer on the removal van last so that you can unload it first and replug it into the mains supply.

Hints on energy-saving

One or two additional hints on energy-saving are given below:

- Do not install your freezer next to a radiator, oven, or in direct sunlight, since, through high ambient temperature, the temperature regulator switches on the refrigerating unit more frequently and for longer.
- Do not place any hot food in the freezer - first allow the food to cool to room temperature.
- Do not open the door unnecessarily and close it again as quickly as possible.
- Check the storage temperature in the freezing compartment with a thermometer.
- Do not set the frozen food storage temperature lower than -18°C .
- Ensure good ventilation.
- Keep the heat-dissipating condenser (heat exchanger), the metal grille on the rear wall of your freezer, clean. Thoroughly clean it at least once per year, preferably when your freezer is empty or when you are defrosting and cleaning it.

If you ever move house

If your freezer is not fully loaded, pack all the frozen food in concentrated fashion at a few storage levels. Switch over to fast freeze 24 hours before the removal van leaves to create a low-temperature reserve in the frozen food.

Secure the freezer door against opening during transport.

AEG Hausgeräte AG
Postfach 1036
D-90327 Nürnberg 1

© Copyright by AEG

H 270 217 000 - 0293/03 - 150

AEG Domestic Appliances Ltd

Customer Care Department
55-77 High Street
Slough
Berkshire SL1 1DZ

Telephone: 08705 350350