

# **ARCTIS 1215IU**

Intergrated Build-Under Freezer

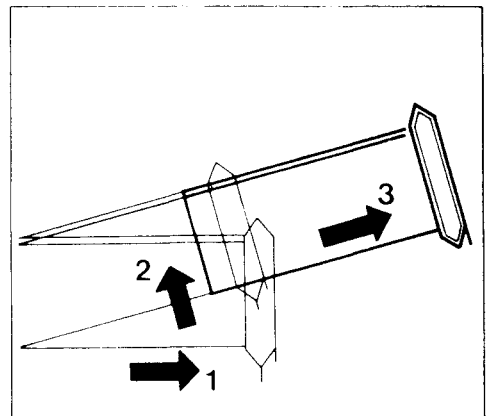
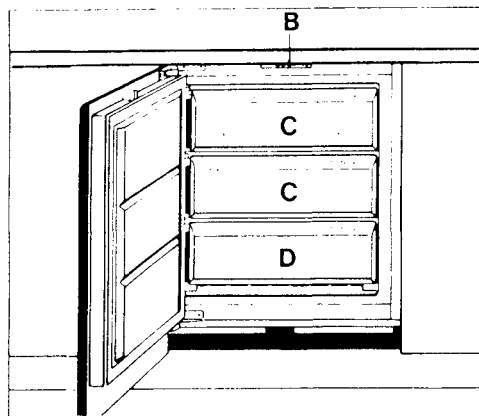
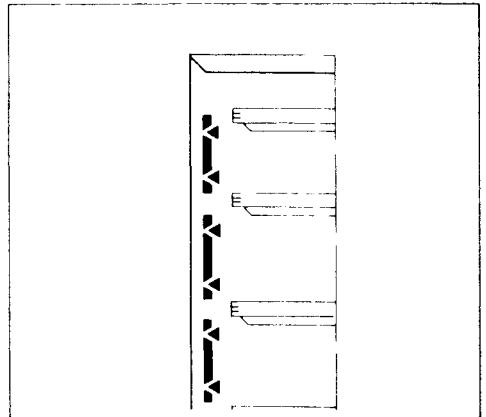
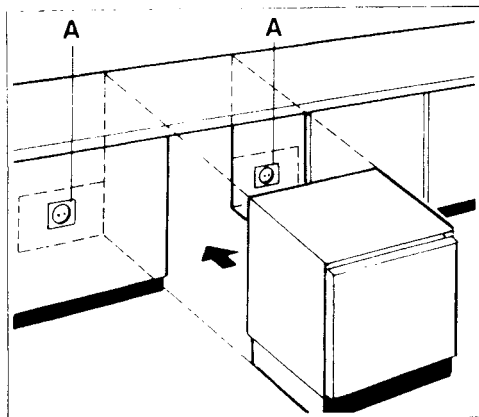
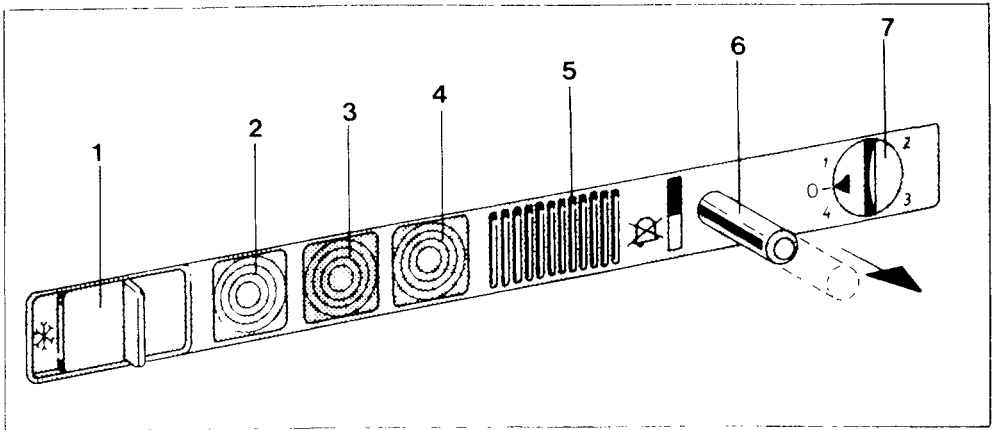
Operating Instructions

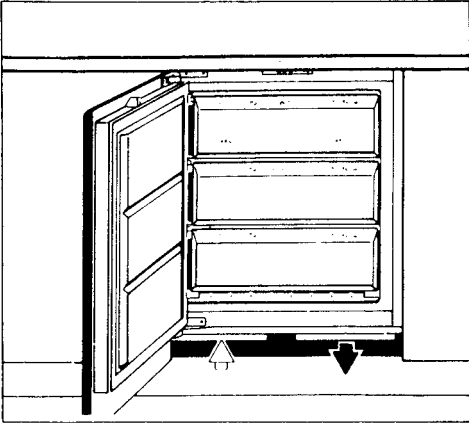
---

## Contents

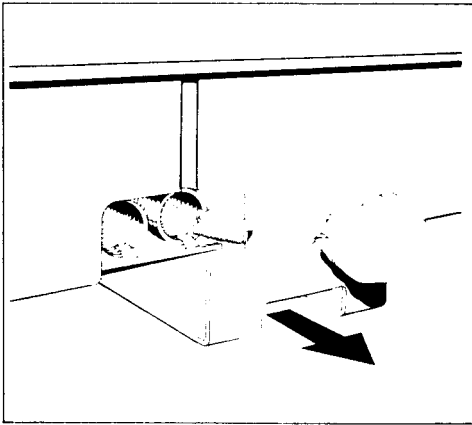
	Page
Illustration pages	4/5
General instructions	11
Voltage and current	11/12
Protective contact plug	12
Operating and indicator panel	12
Starting up	12
Temperature regulation	12/13
Audible alarm when door is open	13
Freezing fresh food and storing frozen food	13
Storing frozen food and the do's and don'ts of storing frozen food	13/14
Thermometer	14
Icemaking	14
Taking out the drawers	14
Freezer book with stored food chart	14
Defrosting, cleaning and care	14/15
When not in use	15
Your freezer needs air	15
Faults and servicing	15
You can carry out minor repairs yourself	15
Hints on energy-saving	15/16
If you ever move house	16
Product information	16

---





6



7

You have just purchased a home freezer which has been produced according to the standards applicable to these appliances.

During manufacture, the necessary measures have been taken as required by the Appliance Safety Act (GSG), the Accident Prevention Regulations for Refrigerating Installations (VBG 20), and the Requirements of the Association of German Electrical Engineers (VDE). The refrigeration circuit has been checked for leakage. The appliance is radio-interference suppressed in accordance with EEC Directive 82/499/EEC as well as with the Standard relating to the Retroactive Effect of the Mains Supply EN 60 555 Parts 1 – 3/DIN VDE 0838 Parts 1 – 3, June 1987.

Before starting up, we recommend you to read the following Instructions for Use, since only by doing so can you benefit from all the advantages offered by your freezer.

## Important!

If the freezer you have purchased is replacing an older model still fitted with a snap catch or lock, you should render this lock unserviceable before throwing the appliance away or putting it out for refuse collection.

In this way you can prevent children locking themselves in when playing and thus endangering their lives.

## Choice of location

If possible, your freezer should be installed in a dry, well-ventilated room.

Its installation in a damp room or the occurrence of weather-dependent high air humidity may temporarily lead to precipitation of moisture (dew formation) on the outsides of the freezer compartment.

Never install near a heater or oven. If installation beside a heat source is unavoidable, the following minimum distances at the sides are to be complied with:

To electric cookers 3 cm, to oil- and coal-fired cookers 30 cm. Place a heat protection panel between both appliances.

Do not install in a room whose temperature may exceed +32 °C for any length of time.

## Commercial use

Should you use your home freezer commercially or for purposes other than freezing and deep frozen storage of food and drinks, you must observe the legal requirements applicable to your area.

## Before using for the first time

Like all new appliances, your freezer will smell "new". For this reason, the interior of the freezer and all accessories should be cleaned before use (see also "Cleaning and care").

## Electrical connection

**(Appliances with connected load below 3000 Watts).**

**Warning! All appliances with a 3 core lead must be earthed.**

### Voltage and current

Please ensure that the voltage and current indicated on the rating plate agrees with the voltage of your electricity supply.

220/240 volts ~ (i.e. 220/240 V a. c.).

### Electrical connection

Please note! (For users in the U. K.).

If your appliance has been equipped with a mains lead with a moulded on type plug, you must comply with the following regulations: The plug moulded on to the lead incorporates a fuse. For replacement, use a 13 amp BS 1362 fuse. Only ASTA approved or certified fuses should be used. If the fuse cover/carrier is lost, a replacement cover/carrier must be obtained from electrical goods retailers. If the socket outlets in your home are not suitable for the plug fitted to the appliance, then the plug must be cut off and destroyed for safety reasons, and an appropriate plug fitted. When fitting the plug please note the following points:

### Important

The wires in the mains lead are coloured in accordance with the following code:

Green and Yellow	Earth
Blue	Neutral
Brown	Live

Some appliances have a twin core mains lead, when no earth is required.

As the colours of the wires in the mains lead of this appliance may not correspond with the coloured markings identifying the terminals in your plug proceed as follows:

1. The wire which is coloured green and yellow must be connected to the Earth terminal in your plug, which is marked with the letter E or by the earth symbol  $\perp$  or coloured green, or green and yellow.

2. The wire which is coloured brown must be connected to the live terminal which is marked with the letter L or coloured red.

3. The wire which is coloured blue must be connected to the neutral terminal which is marked with the letter N or coloured black.

When wiring the plug, ensure that all strands of wire are securely retained in each terminal. Do not forget to tighten the mains lead clamp on the plug. This appliance complies with the requirements laid out in the EEC Directive 76/899.

Voltage 220/240 V AC

Fuse rating 13 amps

See rating plate for further information.

The rating plate is located in the lower part of the appliance.

## Protective contact plug

Fig. 2

The protective contact plug (A) necessary for connection of your appliance to the electricity supply should be provided as shown in the diagram.

With this arrangement, your appliance can be de-energized by pulling out the plug, e. g. for cleaning.

Concealed protective contact plug, 10 A/16 A fuse.

## Installing and building-in

Your appliance should be installed and built-in according to the attached Installation Instructions.

## Operating and indicator panel

Figs. 1 and 3 (B)

- ① = Fast-freeze switch
- ② = Amber fast-freeze pilot lamp
- ③ = Red temperature pilot lamp
- ④ = Green mains pilot lamp
- ⑤ = Temperature and door audible alarm
- ⑥ = Contact switch for door audible alarm
- ⑦ = Temperature regulator

## Starting up

Fig. 1

To switch on your appliance, turn the temperature regulator (7) to the right (clockwise) with the aid of a coin from setting "0" to setting "3".

**Setting "0" means:** off.

**Turning in direction "1":** Refrigerating unit on. It then operates automatically.

The green mains pilot lamp (4) and the red temperature pilot lamp (3) then come on. The audible temperature alarm (5) also sounds so long as the fast-freeze switch is set to the left.

The green mains pilot lamp is the operating indication for freezer compartment and must continuously show. The red temperature pilot lamp (3) and audible temperature alarm (5) tell you that the storage temperature in the freezer compartment has not yet been attained or has been exceeded (warning). You should then additionally press the fast-freeze switch (1).

The amber fast-freeze pilot lamp (2) shows, and the refrigerating unit of the freezer compartment continuously operates.

When the fast-freeze switch (1) is pressed, the audible temperature alarm (warning tone) (5) immediately ceases.

Only when the red temperature pilot lamp (3) has gone out should you switch off the fast-freeze switch (1). The amber fast-freeze pilot lamp (2) then goes out. The red temperature pilot lamp (3) and audible temperature alarm (5) alert you to the following:

- during start-up of the appliance, if the storage temperature in the freezer compartment has not yet been attained;
- if the storage temperature is no longer being maintained (fault);
- if you insert excessively large amounts of fresh food.

**Important:** Check regularly by the red temperature pilot lamp thermometer that the storage temperature is being maintained.

## Temperature regulation

Fig. 1

The temperature regulator (7) can then be used for continuous setting of the required storage temperature for the frozen food.

It has settings 1 to 4 and intermediate settings.

**Setting "0"** = refrigerating unit off.

**Setting "1"** = warmest internal temperature.

**Setting "4"** = coldest internal temperature.

Since optimum storage conditions of  $-18\text{ }^{\circ}\text{C}$  or colder are strongly affected by ambient temperature, loading, and frequent door-opening, you should check the internal temperature of the freezer compartment by the thermometer.

Set the temperature so that the indicated temperature comes to  $-18\text{ }^{\circ}\text{C}$ .

**Important:** If you press the fast-freeze switch or adjust the temperature regulator, it may happen that the refrigerating unit of your freezer does not start immediately, but only after some time. In this case, your appliance does not have a fault.

## Audible alarm when door is open

### Fig. 1

Your freezer is equipped with a door audible alarm (5) as an additional safety device.

It sounds if you keep the door open too long and thereby waste high-cost energy or if you have not closed the door properly.

When the door is closed, the alarm is switched off.

If you intend the door to remain open for a prolonged period, e. g. to unpack the frozen food, pull forward the contact switch (6) (light engagement point) to switch off the door audible alarm.

When the door is closed, the contact switch is automatically set to alarm.

## Freezing fresh food and storing frozen food

### Figs. 3 and 4

You can use your freezer for freezing of fresh food yourself.

Before filling the freezer for the first time with frozen food (deep-frozen food), the optimum storage temperature of  $-18\text{ }^{\circ}\text{C}$  must have been attained. Please observe the following instructions to be sure of obtaining the best results.

Freeze only sound fresh food. Do not freeze too large a quantity at any one time. The quality of the food is best preserved when it is frozen right through to the core as quickly as possible. Do not exceed the freezing capacity of your appliance as indicated on the rating plate.

If you want to carry out freezing on several consecutive days, only utilize  $\frac{2}{3}$  to  $\frac{3}{4}$  of the maximum capacity. To utilize the maximum rated freezing capacity, switch on the fast-freeze switch 24 hours before freezing is due to start (the amber light will now show). Some 4 to 6 hours will suffice in the case of smaller quantities.

Smallest amounts (up to 3 kg) can be frozen without pressing the fast-freeze switch.

**Place the packaged food to be frozen directly on the refrigerating unit of a freezer compartment or in a drawer (C).**

Freezing is therefore possible in every freezer compartment and drawer, since each level is equipped with its own refrigerating unit.

**Take special care not to mix already frozen foods with those not yet frozen.**

In the drawer (D), only frozen, but not food to be frozen, should be placed.

After around 24 hours (sooner for smaller quantities), the fast-freeze switch can be switched off.

After freezing, you can leave the frozen food at the freezing level concerned.

If further food is to be frozen, you must retain the fast-freeze setting and restack the frozen food according to your adopted arrangement in the drawers and compartments to have free freezing areas available.

You can use your freezer without drawers. This gives you a larger storage area, e. g. for storage of poultry. The food is placed directly on the refrigerating unit.

Please note that, with the drawers removed in all compartments, you should only stack frozen food up to the stacking limit (**Fig. 4**). The markings are located inside the freezer.

### Note for test centres:

Stacking diagrams for determination of freezing capacity and warm-up time can be requested direct from the manufacturer.

## Storing frozen food and the do's and don'ts of storing frozen food

Once the freezing process is completed, deep-frozen storage takes place in the temperature range below  $-18\text{ }^{\circ}\text{C}$ .

When freezing food yourself, please note the maximum storage times or those indicated in the Freezer Book. For storage of already frozen food, it is im-

perative to note the storage time specified by the manufacturer on the packaging.

Make sure that only packaged food is stored in the freezer, since unpackaged food will soon dry out when exposed to the extreme cold.

With the exception of spirits and drinks containing a higher percentage of alcohol, beverages in glass bottles, particularly, soft drinks containing carbon dioxide, juices, beer, wine, etc. should not be stored in the freezer. When the contents freeze, the glass bottles will crack or even burst.

Never handle deep-frozen food with wet hands. Your hands could easily become frozen to the food. Never use the freezer as a means of cooling hot meals, since this causes heavy frost formation inside and an increase in electricity consumption.

## Thermometer

To check the temperature, place the thermometer between the frozen food. When placed on the frozen food, it only determines the air temperature, which does not correspond to that of the frozen food.

## Icemaking

In the ice-trays supplied with your appliance, you can make ice-cubes. Never loosen the frozen-on ice-tray with sharp or pointed objects.

## Opening the freezer door – hint on magnetic door seal

After opening and closing the door of your freezer whilst the latter is in operation, you will not immediately be able to open the door again, since a vacuum will have developed inside, keeping the door closed until the pressures inside and outside the freezer have equalized.

After a few minutes, you can easily re-open the door.

## Taking out the drawers

### Fig. 5

The drawers have an antitilt feature and are retained in their end position. This ensures safe and convenient storage and removal of frozen food. To take out the drawer, pull it as far as the catch, tilt it upwards, and then pull it forwards.

## Freezing calendar

The figures beside the symbols indicate the maximum storage period in months altogether for several types of frozen food.

Further details are given in the Freezer Book.

## Freezer book with stored food chart

The Freezer Book contains all detailed information and hints on freezing and storage. It also contains the stored food chart in which you can do your "bookkeeping".

Enter the stored food with storage dates in soft pencil. In this way, you will at all times have a handy external survey of your frozen food stocks and storage times. No more unnecessary searching and no cold losses through prolonged door opening times. After taking out the frozen food, do not forget to rub out the corresponding entry.

## Frost removal, cleaning and care

During operation and when the door is opened, moisture is deposited as frost in the internal space, especially on the upper refrigerating unit. Remove this frost from time to time with a plastic scraper, e. g. pastry scraper (not with a knife or the like). The appliance need not be switched off. You will avoid heavy frost formation by not leaving the door open unnecessarily long.

Your freezer should be defrosted once a year or whenever a frost layer of around 4 mm has formed. This should preferably occur when the freezer compartment is empty or contains little food.

To avoid inadmissible heating of stored food, the appliance should be preliminarily operated for around 12 hours on "fast-freezing" to build up a "low-temperature reserve" in the deep-frozen food.

All food packages remaining in the freezer compartment, hermetically packed if possible, should then be wrapped in several layers of newspaper and stored in a cool place (e. g. refrigerator).

During defrosting and cleaning, your freezer should basically not be connected to the mains supply. Therefore pull out the mains plug or take out the automatic fuse.

To defrost, take all storage drawers out of the freezer.



You can accelerate the defrosting process by placing a bowl of hot water in the lower drawer and by removing detaching pieces of ice before complete defrosting.

After defrosting, clean the inside of your appliance and accessories with lukewarm water to which a mild detergent can be added. Finally, wash with clean water and wipe dry.

Restart the freezer compartment. The frozen food can be placed back inside after around 30 minutes (see also "Starting up").

## When not in use

If your freezer is to remain switched off for a prolonged period of time, it must be unplugged. Place the temperature regulator on "0" (pull out the mains plug), defrost and thoroughly clean your appliance, and leave the door open to prevent odours from forming.

## Your freezer needs air

### Figs. 6 and 7

The refrigerating unit of your freezer is designed for maintenance-free operation. What it should never lack is good ventilation. Air is supplied through the ventilation slots in the plinth (**Fig. 6**). Never obstruct these openings by plinth screens or the like!

If they have become blocked by lint, remove this with a suitable brush. If the performance of your appliance drops, it is recommended to clean the spiral condenser. For this purpose, it is necessary to take the appliance out of its recess (see Installation Instructions) and to pull out the slide on the plinth to the left (**Fig. 7**).

## Faults and servicing

To maintain the safety of your appliance, repairs, especially on live parts, should only be carried out by a trained electrician. In the event of a fault, you should therefore contact your electrical retailer or the service centre direct.

Before approaching our after-sales service, check whether the pilot lamps come on, the refrigerating unit operates, and the internal temperature is being maintained.

If, for example, the green light goes out whilst your appliance is operational, switch on the fast-freeze system.

If the amber light comes on, the green light is defective.

If the amber light does not come on when the fast-freeze system is switched on, but the refrigerating unit is operational, this means that the amber light must be replaced.

If neither of the pilot lights is on, first check that the power supply has not been cut off (mains plug, house fuse, overall power failure in the supply system, etc.). If necessary, contact your electrician immediately.

If the red light comes on and the audible temperature alarm (where available) sounds, or the temperature inside the freezer section has risen sharply without fresh food having been inserted or the appliance door having been open for any length of time, this means that there is a fault. Switch on the fast-freeze system, keep your appliance closed, and notify our service centre immediately (see list of service centres). In this case, do not carry out any repairs yourself, especially in the electrical parts of the appliance.

When doing so, please quote

- the model designation,
- E-number and
- F-number of your appliance.

These data are indicated on the rating plate in the lower part of your appliance.

Keep the freezer compartment door closed and tell the service centre whether your appliance is still refrigerating. If the refrigerating system has failed, the low-temperature reserve in the cold storage units and in a full loading of frozen food will be enough to cover around 22 hours.

**N. B.!** Unjustified after-sales service calls must be paid for even during the guarantee period.

**Important:** Check regularly on the red temperature pilot light, temperature audible alarm, and thermometer that the storage temperature is being maintained.

## You can carry out minor repairs yourself

You can order spare parts, e. g. drawers, from the service centre and fit them yourself.

## Hints on energy-saving

One or two additional hints on energy-saving are given below:

Do not install your freezer next to a radiator, oven, or in direct sunlight, since, through high ambient temperature, the temperature regulator switches on the refrigerating unit more frequently and for longer.

Do not place any hot food in the freezer – first allow the food to cool to room temperature.

Do not open the doors unnecessarily and close them again as quickly as possible.

Check the storage temperature of the freezer compartment by the thermometer.

Do not set the frozen food storage temperature lower than  $-18^{\circ}\text{C}$ .

Ensure good ventilation

## When you ever move house

If your freezer is not fully loaded, pack all the frozen food in concentrated fashion at a few storage levels.

Switch over to fast-freeze 24 hours before the removal van leaves to create a low-temperature reserve in the frozen food.

Secure the door against opening during transport.

Place the freezer on the removal van last, so that you can unload it first and replug it into the mains supply.

## Product information

Please stick the product information supplied with some models on the back of these Instructions for use. It also contains data relating to the energy consumption, storage time in case of a fault, and freezing capacity of your appliance



**AEG Domestic Appliances Ltd**  
Customer Care Department  
55-77 High Street  
Slough  
Berkshire SL1 1DZ  
Telephone: 08705 350350

TNR 295 237

H 271 263 600 – 0788.03 – 156

Anderungen vorbehalten  
Subject to change without notice  
Sous toute réserve de modifications  
Riservato il diritto di effettuare modifiche  
Wijzigingen voorbehouden  
Rett til endringer forbeholdes  
Printed in W Germany  
Imprimé en République  
Fédérale d'Allemagne

GA 4553/09.88