

Thinking of you

 **Electrolux**

USER MANUAL

EFG50021

EFG50022



We were thinking of you
when we made this product

EN

IMPORTANT SAFETY INFORMATION	4
YOUR APPLIANCE	5
OPERATING INSTRUCTIONS	5
MAINTENANCE AND CLEANING	7
SOMETHING NOT WORKING	10
GUARANTEE/CUSTOMER SERVICE	11
GUARANTEE CONDITIONS	12
INSTALLATION INSTRUCTIONS	14
ELECTRICAL CONNECTIONS	15
INSTALLING THE COOKER HOOD	16

EN


Welcome to the world of Electrolux

Thank you for choosing a first class product from Electrolux, which hopefully will provide you with lots of pleasure in the future. The Electrolux ambition is to offer a wide variety of quality products that make your life more comfortable. You find some examples on the cover in this manual. Please take a few minutes to study this manual so that you can take advantage of the benefits of your new machine. We promise that it will provide a superior User Experience delivering Ease-of-Mind. Good luck!

Guide to use the instruction book

The following Symbols will be found in the text to guide you through the instruction book

 Safety instructions

 Step by step instructions

IMPORTANT SAFETY INFORMATION

These warnings are provided in the interests of your safety. Ensure that you understand them all before installing or using this appliance. Your safety is of paramount importance. If you are unsure about any of the meanings of these warnings contact the Customer Care Department.

■ Installation

- Any installation work must be undertaken by a qualified electrician or a competent person.
- This hood must be installed in accordance with the installation instructions and all measurements must be adhered to.
- If the cooker hood is installed for use above a gas appliance then the provision for ventilation must be in accordance with the Gas Safety Codes of Practice BS.6172, BS.5440 and BS.6891 (Natural Gas) and BS.5482 (LP Gas) 1994, the Gas Safety (Installation & Use) Regulations, the Building Regulations issued by the Department of the Environment, the Building standards (Scotland) (Consolidated) Regulations issued by the Scottish Development Department.
- The fan motor of this cooker hood incorporates a cut-out device which will operate if the cooker hood is installed below the minimum height recommended under section 'Clearance Height', or if the motor becomes overheated. If the cut-out device is activated, switch off the fan motor and allow the cooker hood to cool. The cut-out device will reset itself when the fan motor has cooled significantly.
- It is dangerous to alter the specifications or modify this product in any way.
- When installed between adjoining wall cabinets the wall cabinets must not overhang the hob.
- If the room where the hood is to be used contains a fuel burning appliance such as a central heating boiler then its flue must be of the room sealed or balanced flue type.
- If other types of flue or appliances are fitted ensure that there is an adequate supply of air to the room.

- The ducting system for this appliance must not be connected to any existing ventilation system which is being used for any other purpose.
- Do not install above a cooker with a high level grill.

■ Child Safety

- This appliance is designed to be operated by adults. Children should not be allowed to tamper with the controls or play with the appliance.

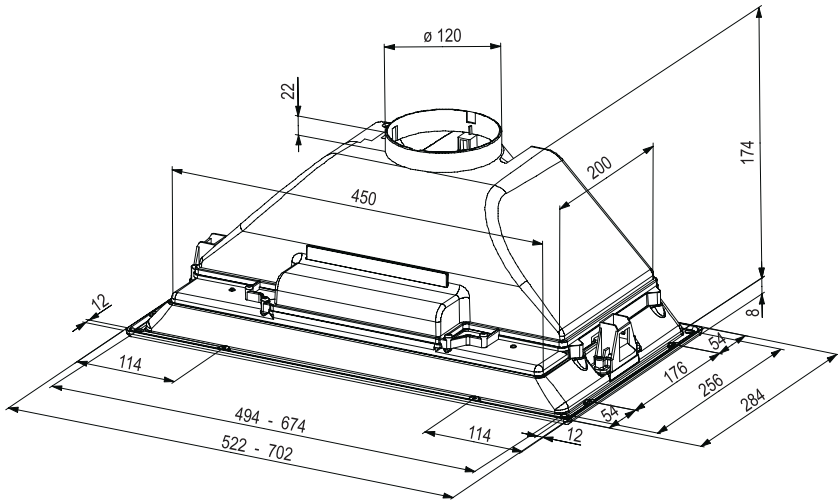
■ During Use

- This product is for domestic use only.
- Never leave frying pans unattended during use as over-heated fats and oils might catch fire.
- Never do flambé cooking under this cooker hood.
- Do not leave naked flames under the hood.
- This cooker hood is designed to extract unpleasant odours from the kitchen, it will not extract steam.

■ Maintenance and Service

- This appliance can be a hazard if the synthetic paper and charcoal filters are not replaced as recommended.
- Under no circumstances should you attempt to repair the appliance yourself. Repairs carried out by inexperienced persons may cause injury or more serious malfunction. Refer to your local Electrolux Service Force Centre. Always insist on genuine spare parts.

YOUR APPLIANCE



EN

OPERATING INSTRUCTIONS

The cooker hood is designed to extract unpleasant odours from the kitchen, it will not extract steam.

To obtain the best performance it is advisable to switch on the hood a few minutes before you start cooking and leave it running for approximately 15 minutes after finishing.

Cooker Hood Controls

The cooker hood functions are controlled by slide switches, located centrally in the front edge of the metal grille panel.

EFG 50021

L. Light ON/OFF control

0 - Off

1 - On

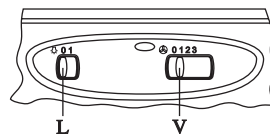
V. Fan Speed Control

Position 0 - Off

Position 1 - Low

Position 2 - Normal

Position 3 - Boost

EFG 50021

EFG 50022

L. Light ON/OFF control

0 - Off

1 - On

M. Motor ON/OFF control

0 - Off

1 - On

V. Fan Speed Control

Position 1 - Low

Position 2 - Normal

Position 3 - Boost

To Operate

Select the required functions.

The appliance can be installed to recirculate or extract contaminated air.

The cooker hood is more effective when

used in the extraction mode.

Extraction

In the extraction mode the contaminated

air enters the cooker hood, passes

through the grease filter and out through

the ducting to the atmosphere.

Recirculation

In the recirculation mode contaminated

air is passed through the charcoal

filters to be purified and recirculated

into the kitchen through a recirculation

grille. Ensure the charcoal filters are in

position.

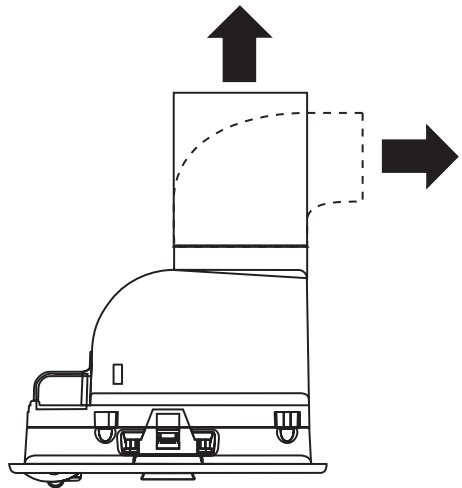
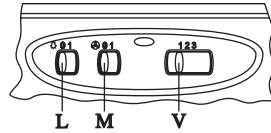
⚠ *When the ducting mode is selected the charcoal filters are not required. Never do flambé cooking under this cooker hood.*

Never leave frying pans unattended during use as over-heated fats and oils can catch fire.

Do not leave naked flames under the cooker hood.

Ensure heating areas on your hob are covered with pots and pans when using the hob and cooker hood simultaneously.

EFG 50022



MAINTENANCE AND CLEANING

- ⚠ *Before carrying out any maintenance or cleaning isolate the cooker hood from the mains supply.
The cooker hood must be kept clean, as a build up of grease or fat can be a fire hazard.*

The external surfaces of the hood should be cleaned regularly. Wipe the cooker hood frequently with warm soapy water using a mild detergent. Dry thoroughly after cleaning.

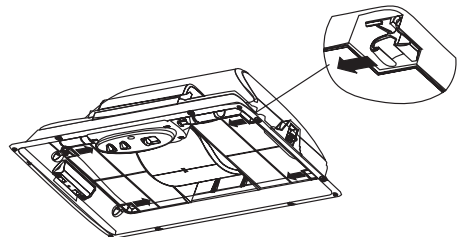
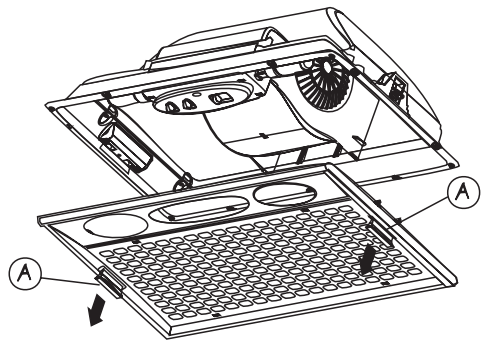
- ⚠ *Always wear protective gloves when cleaning the hood.
Never use scouring pads or abrasive cleaners.
Never use excessive amounts of water when cleaning particularly around the control panel.*

Charcoal Filter

The charcoal filters absorb the odours from cooking. They will slowly become saturated and gradually less effective. The charcoal filters cannot be cleaned, we recommend they are replaced every 3-6 months or more often if the hood is used for more than 3 hours per day.

To Remove/Replace the Charcoal Filters

1. Remove the lower grille, supporting the grille with one hand and draw down on the two grey handles (located on each side of the grille).
2. The charcoal filters are left and right handed and should be fitted one at a time.
3. Insert one end of the filter into the slots in the fan housing then lower the other end until the tab engages the slot in the casing.



Synthetic Grease Filter - EFG 50021

⚠ *The synthetic grease filter cannot be cleaned.*

EN

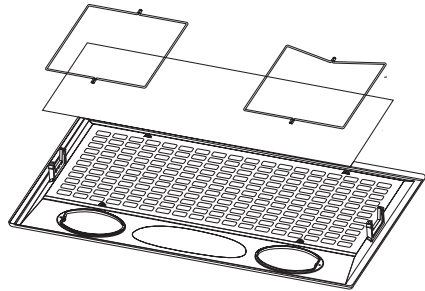
It cannot be washed.

To Replace the Synthetic Grease Filter

1. Remove the lower grille.
2. Push the wire retaining clips to the side and remove.
3. Clean the metal grille and clips before replacing the paper grease filter.

⚠ *The clips have sharp points, handle with care and keep away from children.*

This appliance is a possible fire hazard if the grease and charcoal filters are not replaced as recommended.



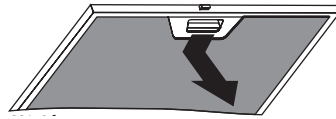
Metal Grease Filters - EFG 50022

The metal grease filters can be machine washed in a dishwasher, or hand washed in hot water and a mild detergent or liquid soap.

To Remove/Replace the Metal Filters

1. Press against the metal actuator to release the spring catch.
2. Drop the front edge of the cassette down as illustrated opposite and lift the back edge out of the rear guide.
3. To refit insert the back edge of the cassette into the rear guide and push up the front edge until the spring catch engages.

This appliance is a possible fire hazard if the grease filters are not cleaned regularly and the charcoal filters replaced as recommended.



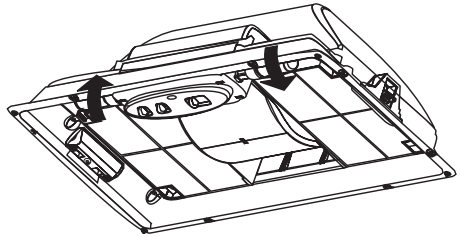
Changing the Light Bulb

If a lamp fails to function at any time first check that it is fully screwed into the holder. To tighten the lamps turn clockwise, but ensure not to over tighten them and break the lens.

When changing the lamps an identical replacement must be fitted to ensure the safe working of the cooker hood.

The replacement lamp is specified 220-240 volt 40 watt clear cylindrical shape lens with a small Edison (E14) screw thread.

Replacement filters and lamps bulbs can be obtained from your local Service Force Centre.



SOMETHING NOT WORKING

If, having followed these instructions carefully, your cooker hood fails to work properly please carry out the following checks.

EN

Symptom	Solution
The cooker hood will not start	<ul style="list-style-type: none"> • Check the hood is connected to the electricity supply. • Make sure the switch is in the 'ON' position.
The cooker hood is not working effectively	<ul style="list-style-type: none"> • The fan speed is set high enough for the task • The grease filter is clean. • The kitchen is adequately vented to allow the entry of fresh air. • If set up for recirculation, check that the charcoal filter is still effective. • If set up for extraction, check that the ducting and outlets are not blocked.
The cooker hood has switched off during operation	<ul style="list-style-type: none"> • The safety cut-out device has been tripped. • Turn off the hob and then wait for the device to reset.

If after all these checks, the fault persists, contact your local Service Force Centre, quoting the model and serial number.

Please note that it will be necessary to provide proof of purchase for any in-guarantee service calls.

In-guarantee customers should ensure that the above checks have been made as the engineer will make a charge if the fault is not a mechanical or electrical breakdown.

GUARANTEE/CUSTOMER SERVICE

Standard guarantee conditions

We, Electrolux, undertake that if within 12 months of the date of the purchase this Electrolux appliance or any part thereof is proved to be defective by reason only of faulty workmanship or materials, we will, at our option repair or replace the same FREE OF CHARGE for labour, materials or carriage on condition that:

- The appliance has been correctly installed and used only on the electricity supply stated on the rating plate.
- The appliance has been used for normal domestic purposes only, and in accordance with the manufacturer's instructions.
- The appliance has not been serviced, maintained, repaired, taken apart or tampered with by any person not authorised by us.
- Electrolux Service Force Centre must undertake all service work under this guarantee
- Any appliance or defective part replaced shall become the Company's property.
- This guarantee is in addition to your statutory and other legal rights.

Exclusions

- Damage or calls resulting from transportation, improper use or neglect, the replacement of any light bulbs or removable parts of glass or plastic.
- Costs incurred for calls to put right an appliance which is improperly installed or calls to appliances outside

the United Kingdom.

- Appliances found to be in use within a commercial environment, plus those which are subject to rental agreements.
- Products of Electrolux manufacturer that are not marketed by Electrolux

Service and Spare Parts

In the event of your appliance requiring service, or if you wish to purchase spare parts, please contact your local Service Force Centre by telephoning

0870 5 929 929

Your telephone call will be automatically routed to the Service Force Centre covering your postcode area.

For the address of your local Service Force Centre and further information about Service Force, please visit the website at

www.serviceforce.co.uk

Before calling out an engineer, please ensure you have read the details under the heading "Something not working" When you contact the Service Force Centre you will need to give the following details:

1. Your name, address and postcode.
2. Your telephone number.
3. Clear concise details of the fault.
4. The model and Serial number of the appliance (found on the rating plate).
5. The purchase date.

Please note a valid purchase receipt or guarantee documentation is required for in guarantee service calls.

GUARANTEE CONDITIONS

EN

Customer Care

For general enquiries concerning your Electrolux appliance, or for further information on Electrolux products please contact our Customer Care Department by letter or telephone at the address below or visit our website at www.electrolux.co.uk

Customer Care Department
Electrolux Major Appliances
Addington Way
Luton

Bedfordshire, LU4 9QQ

Tel: 08705 950 950 (*)

(*) Calls may be recorded for training purposes

European Guarantee

This appliance is guaranteed by Electrolux in each of the countries listed at the back of this user manual, for the period specified in the appliance guarantee or otherwise by law. If you move from one of these countries to another of the countries listed below the appliance guarantee will move with you subject to the following qualifications:-

- The appliance guarantee starts from the date you first purchased the appliance which will be evidenced by production of a valid purchase document issued by the seller of the appliance.
- The appliance guarantee is for the same period and to the same extent for labour and parts as exists in your new country of residence for this particular model or range of appliances.
- The appliance guarantee is personal to the original purchaser of the appliance and cannot be transferred to another user.
- The appliance is installed and used in accordance with instructions issued by Electrolux and is only used within the home, i.e. is not used for commercial purposes.
- The appliance is installed in accordance with all relevant regulations in force within your new country of residence.

The provisions of this European Guarantee do not affect any of the rights granted to you by law.

www.electrolux.com

		
Albania	+35 5 4 261 450	Rr. Pjeter Bogdani Nr. 7 Tirane
Belgique/België/Belgien	+32 2 363 04 44	Bergensesteenweg 719, 1502 Lembeek
Česká republika	+420 2 61 12 61 12	Budějovická 3, Praha 4, 140 21
Danmark	+45 70 11 74 00	Sjællandsgade 2, 7000 Fredericia
Deutschland	+49 180 32 26 622	Muggenhofer Str. 135, 90429 Nürnberg
Eesti	+37 2 66 50 030	Mustamäe tee 24, 10621 Tallinn
España	+34 902 11 63 88	Carretera M-300, Km. 29,900 Alcalá de Henares Madrid
France	www.electrolux.fr	
Great Britain	+44 8705 929 929	Addington Way, Luton, Bedfordshire LU4 9QQ
Hellas	+30 23 10 56 19 70	4, Limnou Str., 54627 Thessaloniki
Hrvatska	+385 1 63 23 338	Slavonska avenija 3, 10000 Zagreb
Ireland	+353 1 40 90 753	Long Mile Road Dublin 12
Italia	+39 (0) 434 558500	C.so Lino Zanussi, 26 - 33080 Porcia (PN)
Latvija	+37 17 84 59 34	Kr. Barona iela 130/2, LV-1012, Riga
Lietuva	+370 5 2780609	Verkių 29, LT-09108 Vilnius
Luxembourg	+35 2 42 43 13 01	Rue de Bitbourg, 7, L-1273 Hamm
Magyarország	+36 1 252 1773	H-1142 Budapest XIV, Erzsébet királyné útja 87
Nederland	+31 17 24 68 300	Vennootsweg 1, 2404 CG - Alphen aan den Rijn
Norge	+47 81 5 30 222	Risløkkvn. 2 , 0508 Oslo
Österreich	+43 18 66 400	Herziggasse 9, 1230 Wien
Polska	+48 22 43 47 300	ul. Kolejowa 5/7, Warsaw
Portugal	+35 12 14 40 39 39	Quinta da Fonte - Edifício Gonçalves Zarco - Q 35 -2774-518 Paço de Arcos
Romania	+40 21 451 20 30	Str. Garii Progresului 2, S4, 040671 RO
Schweiz - Suisse - Svizzera	+41 62 88 99 111	Industriestrasse 10, CH-5506 Mägenwil
Slovenija	+38 61 24 25 731	Tržaška 132, 1000 Ljubljana
Slovensko	+421 2 43 33 43 22	Electrolux Slovakia s.r.o., Electrolux Domáce spotrebiče SK, Seberíniho 1, 821 03 Bratislava
Suomi	+35 8 26 22 33 00	Konepajanranta 4, 28100 Pori
Sverige	+46 (0)771 76 76 76	Electrolux Service, S:t Göransgatan 143, S-105 45 Stockholm
Türkiye	+90 21 22 93 10 25	Tarlabası caddesi no : 35 Taksim İstanbul
Россия	+7 095 937 7837	129090 Москва, Олимпийский проспект, 16, БЦ "Олимпик"

INSTALLATION INSTRUCTIONS

⚠ It is dangerous to alter the specifications or attempt to modify this product in any way.

EN**Technical Information****DIMENSIONS**

HEIGHT:	196mm
WIDTH:	522mm
DEPTH:	284mm
DUCTING OUTLET:	120mm

WEIGHT

GROSS: EFG 50021	4,2 kg	-	EFG 50022	4.4 kg
NET: EFG 50021	5,2 kg	-	EFG 50022	5.4 kg

ELECTRICAL SUPPLY:

Voltage (50Hz) 220-240V

POWER CONSUMPTION:

EFG 50021 195W - EFG 50022 215W

FAN MOTOR:

EFG 50021 115W - EFG 50022 135W

LAMP:

2 x 40 W 80W


SUITABLE FOR INSTALLATION

ABOVE:

ELECTRIC HOB:	7KW (max)
GAS HOB:	10KW (max)
SLOT-IN GAS COOKER	13.5KW (max)
SLOT-IN ELECTRIC COOKER	12.4KW (max)



Note: CE Marking certifies that this appliance complies with the requirements laid down in EEC directive 89:336. (Electromagnetic compatibility) and subsequent modifications and Low Voltage directive 72/23/E.

The symbol  on the product or on its packaging indicates that this product may not be treated as household waste. Instead it shall be handed over to the applicable collection point for the recycling of electrical and electronic equipment. By ensuring this product is disposed of correctly, you will help prevent potential negative consequences for the environment and human health, which could otherwise be caused by inappropriate waste handling of this product. For more detailed information about recycling of this product, please contact your local city office, your household waste disposal service or the shop where you purchased the product.

ELECTRICAL CONNECTIONS

DOUBLE INSULATED DO NOT EARTH

Electrical Requirements

Any permanent electrical installation must comply with the latest I.E.E. Regulations and local Electricity Board regulations. For your own safety this should be undertaken by a qualified electrician e.g. your local Electricity Board, or a contractor who is on the roll of the National Inspection Council for Electrical Installation Contracting (NICEIC).

Electrical Connection

Before connecting to the mains supply ensure that the mains voltage corresponds to the voltage on the rating plate inside the cooker hood.

This appliance is fitted with a 2 core mains cable and must be permanently connected to the electricity supply via a double-pole switch having 3mm minimum contact gap on each pole. A Switched Fuse Connection Unit to BS1363 Part 4, fitted with a 3 Amp fuse, is a recommended mains supply connection accessory to ensure compliance with the Safety Requirements applicable to fixed wiring instructions.

This appliance conforms to BS 800: 1988 and EEC Directive No. 78 308 regarding suppression of radio and television interference.

INSTALLING THE COOKER HOOD

Please ensure that when the appliance is installed it is easily accessible to an engineer in the event of a breakdown.

⚠ *All installations must comply with the local authorities requirements for the discharge of exhaust air.*

Incorrect installation may affect the safety of this cooker hood.

Installation Requirements

⚠ *Before fitting the hood beneath any type of canopy or wall cabinet, ensure that the housing is firmly fixed to the wall in accordance with the manufacturer's instructions.*

If it is necessary to fix the housing for the canopy to a hollow construction plaster or partition board structure then it should be sufficiently reinforced to be quite rigid in the area of the cabinet housing fixings.

Ducting

The ducting must be fire retardant 125mm (5ins) in diameter and the length should be no more than:

3 metres with one 90° bend

2 metres with two 90° bends

Bends of more than 90° will reduce the efficiency of the hood and reduce the airflow.

Clearance Height

The cooker hood is designed to be fitted over a cooking appliance at the clearance heights stated, providing the maximum output of the appliance beneath does not exceed the maximums quoted in the Technical Specifications.

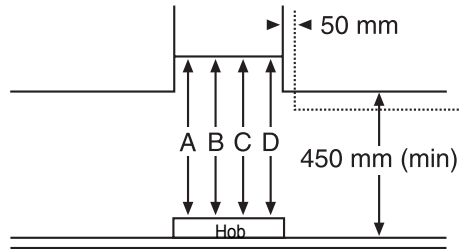
If the output of the appliance below the cooker hood exceeds the maximum outputs quoted, please refer to the cooker manufacturer's installation instructions.

Clearance Height

A clearance height of 650mm (25 1/2 ") is required when installed above a built-in electric hob, or **700mm** (27 1/2 ") when installed above a built-in gas hob.

A clearance height of 685mm (27") is required when installed above a slot-in electric cooker, or 787mm (30 1/2 ") when installed above a slot-in gas cooker.

When installed between adjoining wall cabinets, the wall cabinets must not overhang the hob and the distance between the underside of the cabinet and the worktop must be 450mm. If the height of the wall cabinet is less than 450mm, a gap of 50mm must be maintained either side of the hob.



EN

⚠ *This cooker hood must not be installed above a cooking appliance with a high level grill.*

A: Built-in Electric Hob:	650mm clearance
B: Built-in Gas hob:	700mm clearance
C: Slot-in Electric Cooker:	685mm clearance
D: Slot-in Gas Cooker:	787mm clearance

Unpacking

The fittings supplied to install this cooker hood can be found with the instruction book inside the packaging:

120 - 125 mm ducting collar



Fitting the Cooker Hood into the Housing/Canopy

The hood is fixed to the housing using the screw holes located around the base of the casing. Access to the screw holes will require the removal of the metal grille panel.

Positioning the Cooker Hood

Measure the underside of the canopy or kitchen cabinet to mark the position for the cut-out. The cut-out measurement should be:

- 497mm (19 5/8") wide
- 259mm (10 1/4") deep

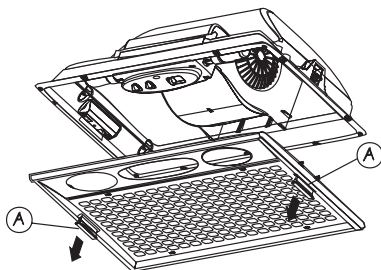
Check the position of the hole is correct with the measurements above before making the cut-out.

The hood is fixed using the holes located in the rim around the base of the casing visible when the inlet grille is in the open position.

EN

Support the grille panel with one hand and draw down on the two grey handles (A) which are located on each side of the grille with the other hand.

Raise the hood into the cut out and mark the positions for the fixing screws. Pilot drill the fixing holes and fit the hood.

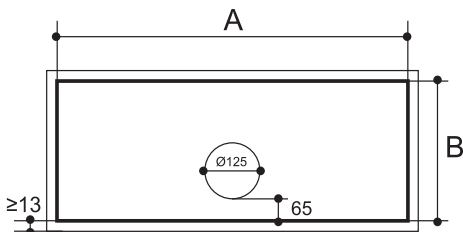


Venting

The hood is more effective when used in the extraction mode (ducted to the outside). Venting kits maybe purchased through your retailer or DIY store, and must be ducted to an outside vent of 125mm (5") minimum.

⚠ *The ducting used must be manufactured from fire retardant material.*

When the hood is ducted externally the charcoal filters must be removed.

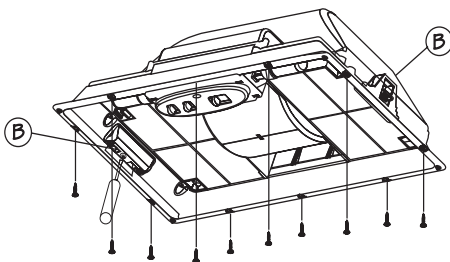


Recirculation

If you are using the hood for recirculating, ensure the charcoal filters are in position following the instructions below.

Inserting the Charcoal Filters

1. Remove the grille panel, support the grille with one hand and draw down on the two grey handles (located at each side of the grille).
2. The charcoal filters are handed and should be fitted one at a time.
3. Insert one end of the filter into the slots in the fan housing, then lower the other and until the tab engages the slot in the casing.




Extraction

The charcoal filters are not required in this mode and should be removed. To do this reverse the procedure described in Inserting the 'Charcoal Filters'.

Ducting

The ducting used must be fire retardant 125mm (5") in diameter. If possible duct through the wall at the rear of the canopy or wall cabinet. For the best performance use the shortest possible duct run and the minimum number of bends. Where flexible ducting is fitted it should not be turned through very tight bends as this may impair the performance of the hood. It is recommended a maximum length of 3m, to be installed, to be reduced 1m for each 90° bend installed in the ducting run. If the distance is greater than 3m the efficiency of the hood could be impaired.

A ducting collar of 120-125 mm (5") is supplied for attaching to ducting if you are using the appliance in the extraction mode.

-  *If the room where the cooker hood is to be used contains a fuel burning appliance such as a central heating boiler, then its flue must be of the room sealed or balanced flue type. If other types of flue or appliances are fitted ensure that there is an adequate supply of air to the room. The cooker hood ducting (extraction version) must never be connected to central heating flues, radiators or water heaters etc.*



www.electrolux.com

