

INSTRUCTION BOOKLET

ZANUSSI

COOKER HOOD
ZHC 916X

Thank you for buying a Zanussi product.

To enable you to use your appliance effectively and safely, please read this instruction book carefully before using the appliance and retain for future reference. If you require guidance in the use of the appliance or require further information on Zanussi Products, please contact our Customer Care Department. For general enquiries concerning your Zanussi appliance or for further information, visit our website at <http://www.zanussi.co.uk>

Customer Care Department
Zanussi
55-77 High Street
Slough
Berkshire
SL1 1DZ

Tel: 08705 727727(*)
Fax: 01753 538972

* calls to this number may be recorded for training purposes.

To register ownership, please ensure you complete and return the guarantee card supplied with the appliance.

For the User

Important Safety Information

Your Appliance

Operating Instructions

Cooker Hood Controls
To Operate
Recirculation
Extraction

Maintenance and Cleaning

External Cleaning
Metal Grease Filter
To Remove the Grease Filter Cassette
Charcoal Filter
To Remove/Replace the Charcoal Filter
Worktop Lighting
Replacing the Light Bulb

Something Not Working

Service and Spare Parts

Guarantee Conditions

For the Installer

Installation Instructions

Technical Information

Electrical Connections

Electrical Requirements
Electrical Connection

Installing the Cooker Hood

Installation Requirements
Unpacking
Clearance Height
Selecting the Type of Installation
Fixing the Chimney to the Canopy
Fitting the Hood to the Wall
Drilling the Shelves
Bottom Shelf
Top Shelf
Installation in Recirculation Mode
Installation with Air Outlet Turned to the Wall
Installation with Air Outlet Turned Left or Right
Final Fixing and Adjustment of Hood
Ducting
Recirculation

Electrical Connection and Working Test

Guide to use the instruction book

The following Symbols will be found in the text to guide you through the instruction book



Safety instructions



Step by step instructions

IMPORTANT SAFETY INFORMATION

These warnings are provided in the interests of your safety. Ensure that you understand them all before installing or using this appliance. Your safety is of paramount importance. If you are unsure about any of the meanings of these warnings contact the Customer Care Department.

■ Installation

- Any installation work must be undertaken by a qualified electrician or a competent person.
- This hood must be installed in accordance with the installation instructions and all measurements must be adhered to.
- If the cooker hood is installed for use above a gas appliance then the provision for ventilation must be in accordance with the Gas Safety Codes of Practice BS.6172, BS.5440 and BS.6891 (Natural Gas) and BS.5482 (LP Gas) 1994, the Gas Safety (Installation & Use) Regulations, the Building Regulations issued by the Department of the Environment, the Building standards (Scotland) (Consolidated) Regulations issued by the Scottish Development Department.
- The fan motor of this cooker hood incorporates a cut-out device which will operate if the cooker hood is installed below the minimum height recommended under section 'Clearance Height', or if the motor becomes overheated. If the cut-out device is activated, switch off the fan motor and allow the cooker hood to cool. The cut-out device will reset itself when the fan motor has cooled significantly.
- It is dangerous to alter the specifications or modify this product in any way.
- When installed between adjoining wall cabinets the wall cabinets must not overhang the hob.
- If the room where the hood is to be used contains a fuel burning appliance such as a central heating boiler then its flue must be of the room sealed or balanced flue type.
- If other types of flue or appliances are fitted ensure that there is an adequate supply of air to the room.
- The ducting system for this appliance must not be connected to any existing ventilation system which is being used for any other purpose.
- Do not install above a cooker with a high level grill.

■ Child Safety

- This appliance is designed to be operated by adults. Children should not be allowed to tamper with the controls or play with the appliance.

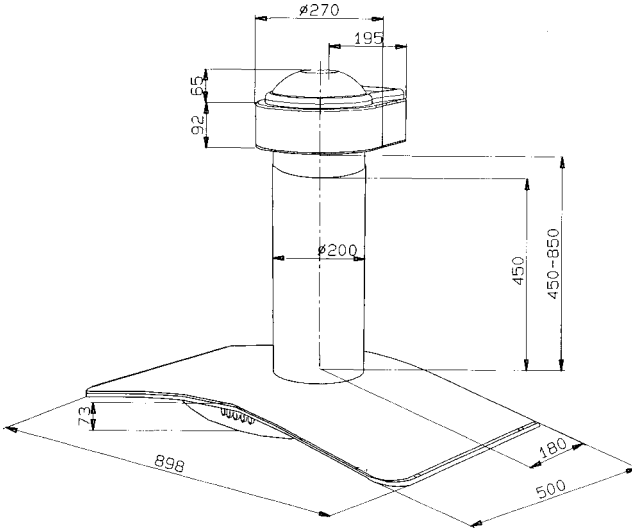
■ During Use

- This product is for domestic use only.
- Never leave frying pans unattended during use as over-heated fats and oils might catch fire.
- Never do flambé cooking under this cooker hood.
- Do not leave naked flames under the hood.

■ Maintenance and Service

- This appliance can be a hazard if the synthetic paper and charcoal filters are not replaced as recommended.
- Under no circumstances should you attempt to repair the appliance yourself. Repairs carried out by inexperienced persons may cause injury or more serious malfunction. Refer to your local Zanussi Service Force Centre. Always insist on genuine spare parts.

YOUR APPLIANCE



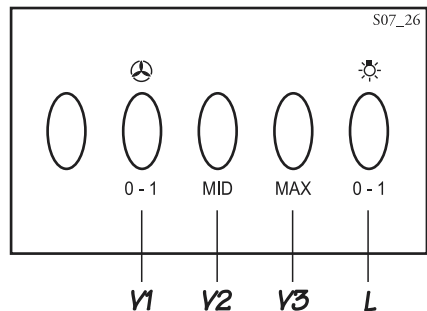
OPERATING INSTRUCTIONS

This cooker hood is designed to extract unpleasant odours from the kitchen, **it will not extract steam.**

To obtain the best performance it is advisable to switch on the hood a few minutes before you start cooking and leave it running for approximately 15 minutes after finishing.

Cooker Hood Controls

- V1. Push to engage the low speed, for use with one burner or simmering.
- V2. Push to engage the medium speed, for normal cooking up to four pans.
- V3. Push to engage the high speed, for use when frying or cooking foods with strong odours.
- L. Push to switch on the worktop illumination lamps.



OPERATING INSTRUCTIONS

This cooker hood can be used to recirculate or extract contaminated air.

Recirculation

The cooker hood is supplied specified for use in the recirculation mode with the charcoal filter fitted.

The contaminated air is cleaned by passing through the filters and then back into the kitchen.

The activated charcoal filter absorbs odours arising from cooking. In use it will slowly become saturated in grease and less effective. The filter normally requires changing after at least every three months or more frequently if the hood is used for more than three hours per day.

Extraction

The contaminated air enters the cooker hood passing through the grease filter and out through the ducting into the atmosphere.

When used in the extraction mode the charcoal filter is not required and must be removed.



Never do flambé cooking under this cooker hood.

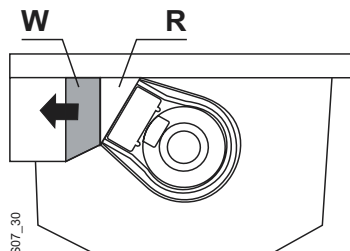
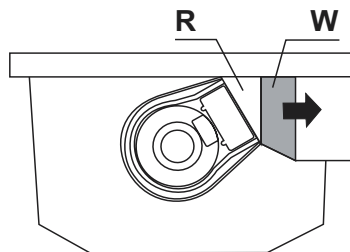
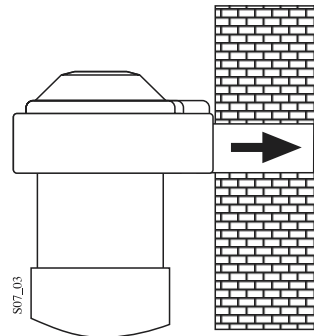
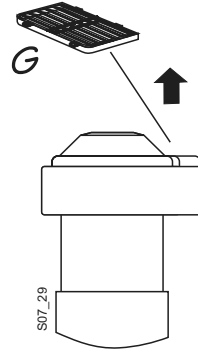
Take extra care when frying and never leave frying pans unattended during use, as over-heated fats and oils can catch fire.

Do not leave naked flames under the cooker hood.


Ensure the hood is switched on before using the hob.

Ensure heating areas on your hob are covered with pots and pans when using the hob and cooker hood simultaneously.

Ensure not to damage the charcoal filter when cleaning or replacing as the activated charcoal inside is saturated with grease, which will stain if it comes into contact with clothing or furnishings.



MAINTENANCE AND CLEANING


 *Before carrying out any maintenance or cleaning isolate the cooker hood from the mains supply.*

The cooker hood must be kept clean, a build up of grease or fat can be a fire hazard.

External Cleaning

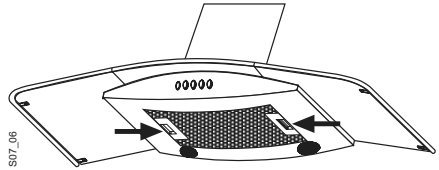
The metal casing, grille and chimney should be cleaned at least once a month to keep it looking like new. Wipe over the hood with a soft cloth wrung out in mild soapy water and than dry thoroughly.

Never use scouring pads or abrasive cleaners as they may scratch or damage the surfaces.

 *Always wear protective gloves when cleaning the hood.*

Never use scouring pads or abrasive cleaners.

Never use excessive amounts of water when cleaning particularly around the control panel.



Metal Grease Filter

The metal grease filter should be cleaned at least every month. The filter may be washed by hand using mild soapy water, or can be machine washed in a dishwasher.

To Remove the Grease Filter

Remove the metal grease filter cassette by pushing inwardly on the two steel handles; replace, making sure the handle has sprung back into position and is completely visible.

Charcoal Filter

The charcoal filter cannot be cleaned, it should be replaced approximately every three months or more often if the hood is used for more than three hours per day.

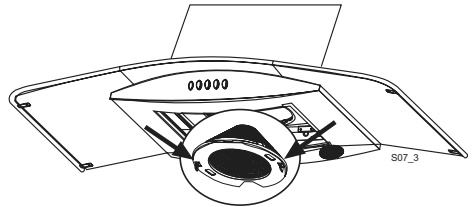
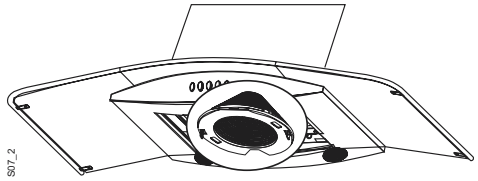
MAINTENANCE AND CLEANING

To Remove the Charcoal Filter

Push inwardly on the two retaining clips to disengage the security fixing and remove.



This appliance can be a fire hazard if the grease and charcoal filters are not cleaned and replaced as recommended.



Worktop Lighting

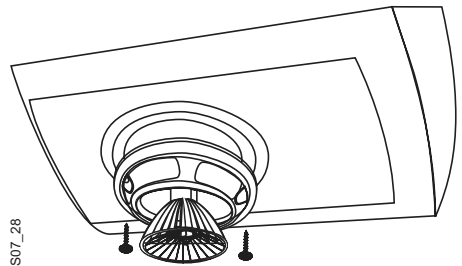
The lamps should be replaced with a 220-240V 20W halogen spot lamp.

To Remove the Lamps

Unscrew the two screws to release the metal surround. Remove a lamp from the holder by pulling the lamp downwards.

When fitting the new lamp ensure the two pins are correctly inserted into the slots in the lamp holder.

Charcoal filters, grease filters and lamps can be obtained from your local Service Force Centre.



SOMETHING NOT WORKING

If, having followed these instructions carefully, your cooker hood fails to work properly please carry out the following checks.

Symptom	Solution
The cooker hood will not start	<ul style="list-style-type: none"> • Check the hood is connected to the electricity supply. • Check that the fan speed control is set to 1, 2 or 3.
The cooker hood is not working effectively	<ul style="list-style-type: none"> • The fan speed is set high enough for the task. • The grease filter is clean. • The kitchen is adequately vented to allow the entry of fresh air. • If set up for recirculation, check that the charcoal filter is still effective. • If set up for extraction, check that the ducting and outlets are not blocked.
The cooker hood has switched off during operation	<ul style="list-style-type: none"> • The safety cut-out device has been tripped. • Turn off the hob and then wait for the device to reset.

If after all these checks, the problem persists, contact your local Service Force Centre, quoting the model and serial number.

Please note that it will be necessary to provide proof of purchase for any in-guarantee service calls.

In-guarantee customers should ensure that the above checks have been made as the engineer will make a charge if the fault is not a mechanical or electrical breakdown.

SERVICE AND SPARE PARTS

If you require an engineer or wish to purchase spare parts contact your local Service Force Centre by telephoning:

08705 929929

Your telephone call will be routed to your local Service Force Centre. The addresses are listed at the back of the book.

For general assistance with your appliance or for information on Zanussi products please contact our Customer Care Department.

Customer Care Department,
Zanussi
55-77 High Street
Slough
Berkshire
SL1 1DZ

Tel: 08705 727 727(*)

*calls to this number may be recorded for training purposes.

PEACE OF MIND FOR TWENTY FOUR MONTHS

STANDARD GUARANTEE CONDITIONS

We, Zanussi, undertake that if within twenty four months of the date of the purchase this Zanussi built-in appliance or any part there of is proved to be defective by reason only of faulty workmanship or materials, the company will, at our option repair or replace the same FREE OF ANY CHARGE for labour, materials or carriage on condition that:

- The appliance has been correctly installed and used only on the electrical supply stated on the rating plate.
- The appliance has been used for normal domestic purposes only, and in accordance with the manufacturer's operating and maintenance instructions.
- The appliance has not been serviced, maintained, repaired, taken apart or tampered with by any person not authorised by us.
- All service work under this guarantee must be undertaken by Zanussi Service Force Centre.
- Any appliance or defective part replaced shall become the property of this company.

Home visits are made between **8.30am and 5.30pm Monday to Friday**. Visits may be available outside these hours in which case a premium will be charged.

EXCLUSIONS

This Guarantee does not cover:

Damage or calls resulting from transportation, improper use or neglect, the replacement of any light bulbs or removable parts of glass or plastic.

- Costs incurred for calls to put right appliances improperly installed or calls to appliances outside the United Kingdom.
- Appliances found to be in use within a commercial environment, plus those which are the subject of rental agreements.
- Products of Zanussi manufacture which are not marked by Zanussi.

This guarantee is in addition to your statutory and legal rights.

ZANUSSI EUROPEAN GUARANTEE

If you should move to another country within Europe then your guarantee moves with you to your new home subject to the following qualifications:

- The guarantee starts from the date you first purchased your product.
- The guarantee is for the same period and to the same extent for labour and parts as exists in the new country of use for this brand or range of products.
- This guarantee relates to you and cannot be transferred to another user.
- Your new home is within the European Community (EC) or European Free Trade Area.
- The product is installed and used in accordance with our instructions and is only used domestically, i.e. a normal household.

Before you move please contact your nearest Customer Care Centre, listed below, to give them details of your new home. They will then ensure that the local Service Organisation is aware of your move and able to look after you and your appliances.

France	Senlis	+33 (0)3 44 62 29 99
Germany	Nurnberg	+49 (0)911 323 2600
Italy	Pordenone	+39 (0)1678 47053
Sweden	Stockholm	+46 (0)8 738 79 50
UK	Slough	+44 (0)1753 219 897

INSTALLATION INSTRUCTIONS



It is dangerous to alter the specifications or attempt to modify this product in any way.

Technical Information

DIMENSIONS

HEIGHT (CANOPY):	73 mm
HEIGHT (CHIMNEY):	450-850 mm
WIDTH (CANOPY):	898 mm
WIDTH (CHIMNEY):	Ø200-Ø270 mm
GROSS:	24,00 kg
NET:	19,40 kg

ELECTRICAL SUPPLY:

220-240 V (50 Hz)

POWER CONSUMPTION:

215 W

FAN MOTOR:

175 W

LAMP:

(2x20W) HALOGEN Ø 35 mm GUA

40 W

SUITABLE FOR INSTALLATION

ABOVE:

ELECTRIC HOB:

7 KW

GAS HOB:

10 KW

SLOT-IN GAS COOKER

13.5 KW

SLOT-IN ELECTRIC COOKER

12.4 KW



Note: CE Marking certifies that this appliance complies with the requirements laid down in EEC directive 89:336. (Electromagnetic compatibility) and subsequent modifications and Low Voltage directive 72/23/E.

ELECTRICAL CONNECTIONS



This appliance must be earthed

Electrical Requirements

Any permanent electrical installation must comply with the latest I.E.E. Regulations and local Electricity Board regulations. For your own safety this should be undertaken by a qualified electrician e.g. your local Electricity Board, or a contractor who is on the roll of the National Inspection Council for Electrical Installation Contracting (NICEIC).

Electrical Connection


Before connecting to the mains supply ensure that the mains voltage corresponds to the voltage on the rating plate inside the cooker hood.

This appliance is fitted with a 3 core mains cable and must be permanently connected to the electricity supply via a double-pole switch having 3mm minimum contact gap on each pole. A Switched Fuse Connection Unit to BS1363 Part 4, fitted with a 3 Amp fuse, is a recommended mains supply connection accessory to ensure compliance with the Safety Requirements applicable to fixed wiring instructions.

This appliance conforms to BS 800: 1988 and EEC Directive No. 78 308 regarding suppression of radio and television interference.


INSTALLING THE COOKER HOOD

Please ensure that when the appliance is installed it is easily accessible to an engineer in the event of a breakdown.

 **All installations must comply with the local authorities requirements for the discharge of exhaust air.**

Incorrect installation may affect the safety of this cooker hood.

Installation Requirements

 **Before installation check the wall to which the cooker hood is to be fitted for electric cables, water pipes or gas.**

The cooker hood is designed to be fixed to a solid block or brick wall over a cooking area. If not, suitable fixings must be used for other types of walls. The hood can be used in the extraction (ducted to the outside) or recirculation (internal recycling) mode.

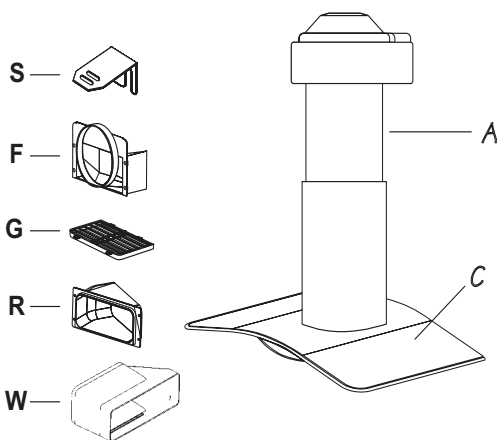
The Installation work must be undertaken by a qualified and competent person. The manufacturer disclaims any responsibility to damages due to incorrect installation of the cooker hood or if the cooker hood is not installed in compliance with relevant regulations controlling this type of installation.

Unpacking

Before unpacking the cooker hood position the carton with the arrows pointing upwards as illustrated on the carton.

The ZHC916 is supplied with the following components for installation:

- 1 No. Canopy including controls and worktop illumination (C).
- 1 No. Telescopic chimney stack complete with fan motor (A).
- 1 No. Flange 120mm (F).
- 1 No. Collar 120-125mm (D).
- 1 No. Venting grille (G).
- 1 No. Spigot (R).
- 1 No. Ducting conversion bend (W)
- 1 No. Support Rod (B)



INSTALLING THE COOKER HOOD

Clearance Heights


The cooker hood is designed to be fitted over a cooking appliance at the clearance heights stated, provided the maximum output of the appliance beneath does not exceed the maximums quoted in the Technical Specifications.

If the output of the appliance below the cooker hood exceeds the maximum outputs quoted, please refer to the cooker manufacturer's installation instructions.

A clearance height of 650mm (25 1/2 ins) is required when installed above a built-in electric hob, or 700mm (27 1/2 ins) when installed above a built-in gas hob.

A clearance height of 685mm (27 ins) is required when installed above a slot-in electric oven, or 787mm (30 1/2 ins) when installed above a slot-in gas oven.

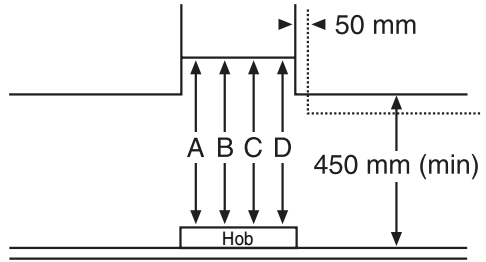
When installed between adjoining wall cabinets, the wall cabinets must not overhang the hob and the distance between the underside of the cabinet and the worktop must be 450mm. If the height of the wall cabinet is less than 450mm a gap of 50mm must be maintained either side of the hob.

 *This cooker hood must not be installed above a cooking appliance with a high level grill.*

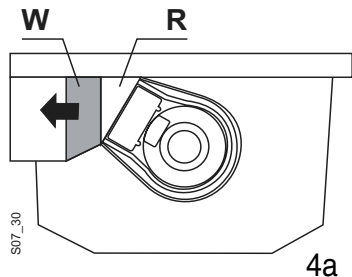
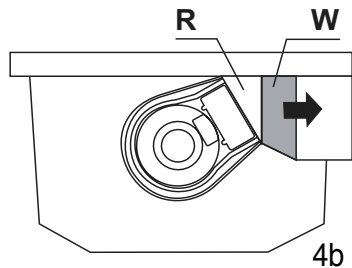
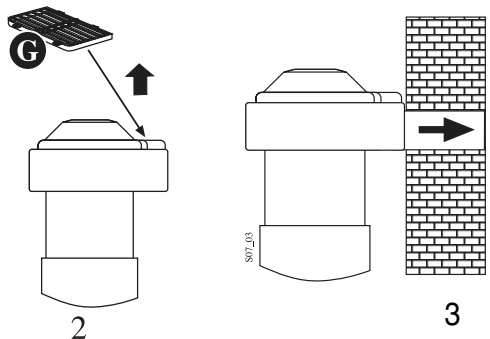
Selecting the type of installation:

The extraction unit at the top of the chimney can be installed in one of three ways.

1. Air outlet turned upwards recirculation only (fig. 2a).
2. Air outlet turned towards the wall -extraction only (fig. 3).
3. Air outlet turned left or right -extraction only (fig. 4a and 4b).



- | | |
|-----------------------------|-----------------|
| A: Built-in Electric Hob: | 650mm clearance |
| B: Built-in Gas hob: | 700mm clearance |
| C: Slot-in Electric Cooker: | 685mm clearance |
| D: Slot-in Gas Cooker: | 787mm clearance |



INSTALLATION INSTRUCTIONS

Draw a vertical line on the wall from the centre of the cooking appliance, using a spirit level and marking pen. This is to ensure the correct level of alignment of the appliance (5).

Mark the hole position (1) on the wall 100mm either side of the vertical line ensuring that they are level and that the distance between the lowest point of the hood and the cooking appliance beneath meet the clearance requirements quoted in the paragraph titled 'Clearance Heights' (* - Page 12).

Using an 8mm masonry bit, drill the holes for the canopy and insert a suitable wall fixing plug ready for the fixing screws.

Fix the round eyelet screws provided tightly into the holes (Fig.6).

Fitting the hood canopy

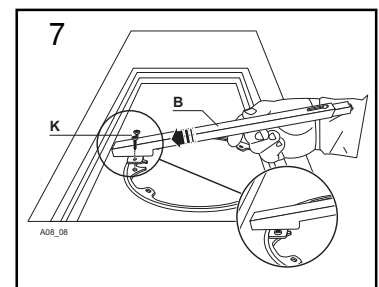
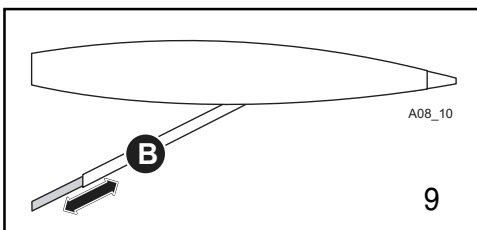
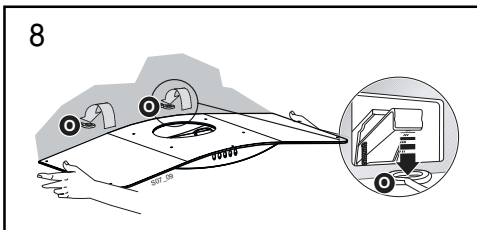
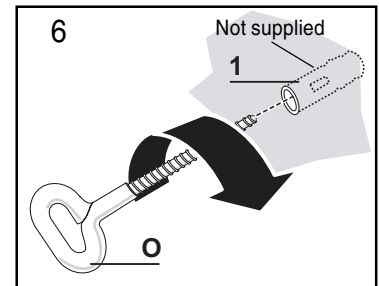
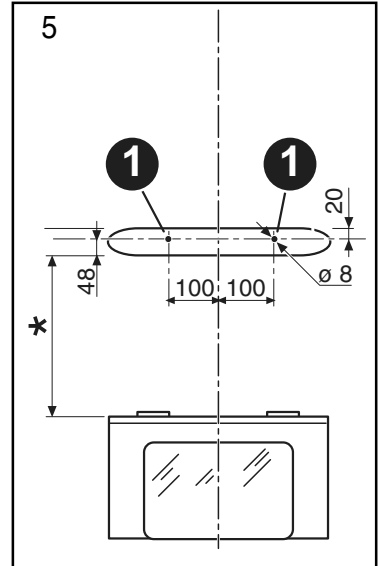
Remove the metal grease filter and the activated charcoal filter, if there are any (see Maintenance & Cleaning).

Fit the support rod B using the two screws K (3.5 x 9.5) provided.

Hook the hood canopy C to the eyebolts O fixed in hole (1). Adjust the support rod B so that it pushes against the wall, keeping the canopy horizontal.

The support rod must be correctly fixed and adjusted. It must not be removed until the installation has been completed and checked.

Failure to ensure correct fixing could cause the canopy fixing hooks and eyelet bolts to be damaged or distorted. This may compromise the safety of the installation.

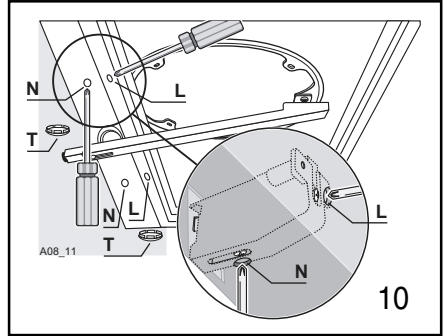


INSTALLATION INSTRUCTIONS

Adjusting Position (10)

There are 2 adjustable hooks at the rear of the hood, which can be used to adjust its position as follows:

- Turn screws **L** until the position of screws **N** coincides with the lower access holes.
- Turn the screws **N** to adjust the vertical and horizontal position of the hood.
- Lock the screws **L** to fasten the hood against the wall.



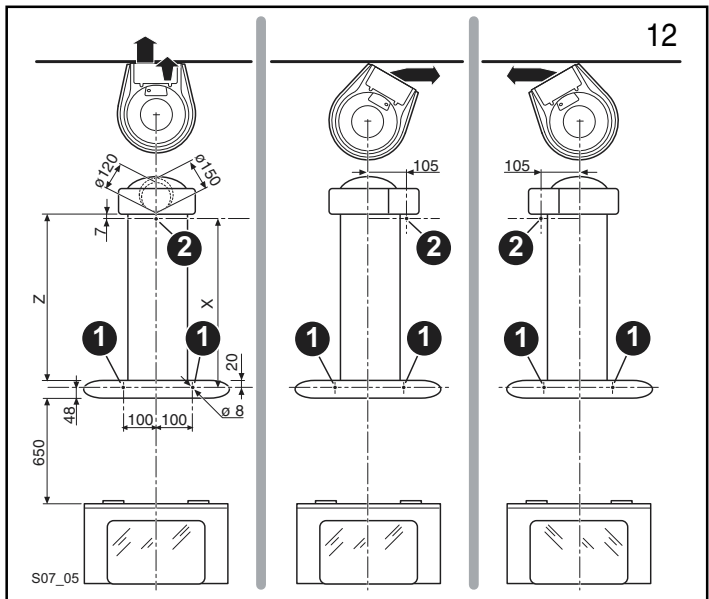
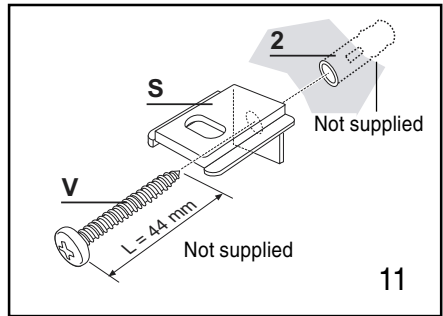
WARNING! DO NOT REMOVE THE SUPPORT ROD

Installation of the Chimney fixing bracket

Determine the height that the motor will be fitted and also the air outlet direction.

When these positions have been decided fix bracket **S** (11) to the wall referring to relevant illustration (12) regarding the direction of the air outlet and where to fix the bracket (2).

Ensure that the bracket is fixed exactly as shown in FIG. 11



INSTALLATION INSTRUCTIONS

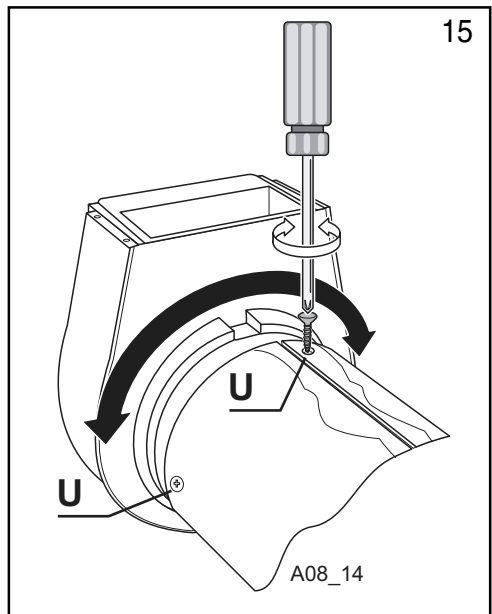
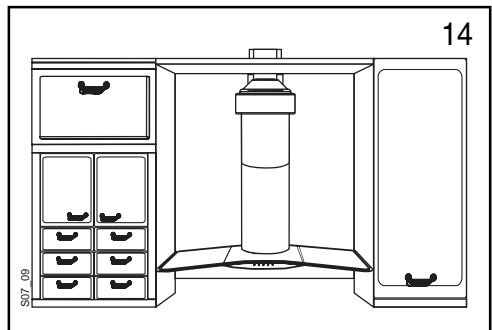
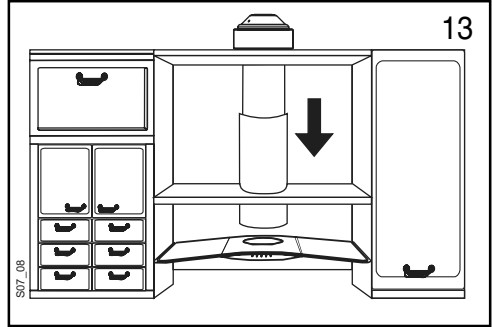
Regardless of which type of installation, any wooden shelves in the area where the hood is to be fitted must first be removed, drilled and later replaced.

Drilling the shelves

- a) Using the template provided, and taking hole **B** as a point of reference, drill the shelves along the central axis to allow the passage of the chimney. The chimney must be inserted into the shelves before it is fixed to the hood canopy (**Fig. 13**).
- b) When installing the ducting version with the air outlet directed upwards, if the ducting fan unit is positioned below the line of the shelves it will be necessary to drill a suitable hole in the top shelf only, to allow the air ducting pipe to pass through (**Fig. 14**).

Direction and position of the ducting fan unit

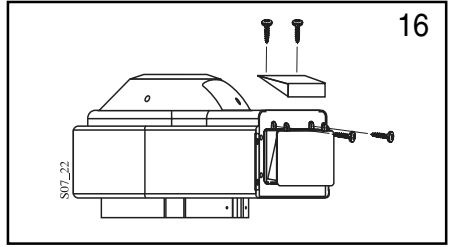
- a) The hood is normally supplied with the air outlet directed towards the wall (**Fig. 3**), if it is to be installed with the air outlet directed to the right or left (**Fig. 4a-4b**), it will be necessary to change the direction of the ducting fan unit.
 - Unscrew the screws **U** (**Fig. 15**).
 - Turn the ducting fan unit 60° to the left or right.
 - Replace the screws.
- b) The ducting fan unit air outlets must be arranged according to the type of installation to be carried out.



INSTALLATION INSTRUCTIONS

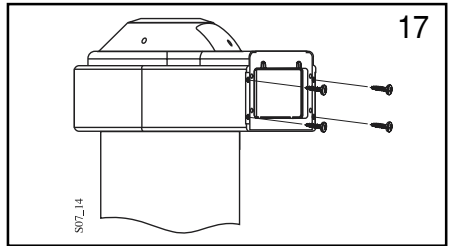
Air outlet directed upwards (**Fig. 2a-b**):

- Remove the plastic plug from the upper part of the venting grill and replace it on the rear part (**Fig. 16**).



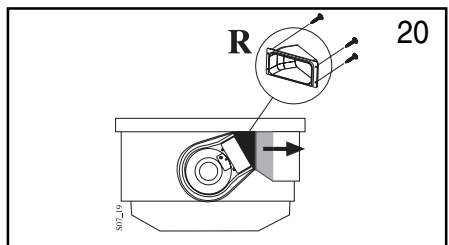
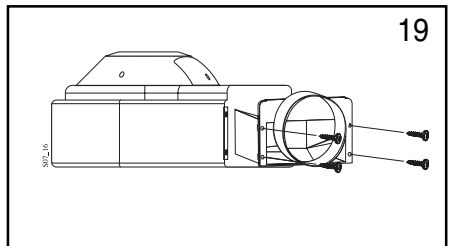
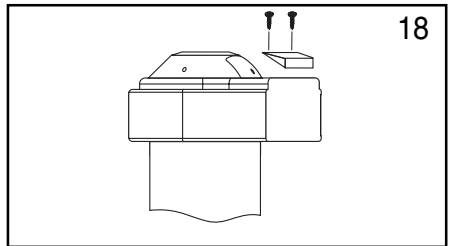
Air outlet directed towards the wall (**Fig. 3**):

- Remove the plastic frame from the air outlet (**Fig. 17**).
- Remove the plug from the upper part of the ducting fan unit (**Fig. 18**), as it is not possible to insert the flange **F** with the plug in place.
- Fit the flange **F** \varnothing 120 or 150 mm (**Fig. 19**), replace the plug.



Air outlet directed to the left or right hand side (**Fig. 4a-b**):

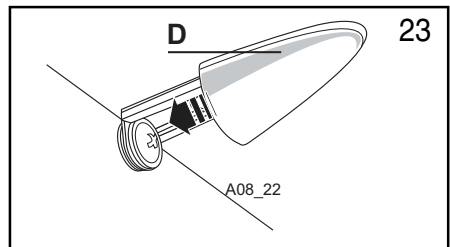
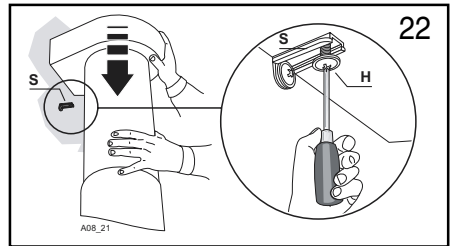
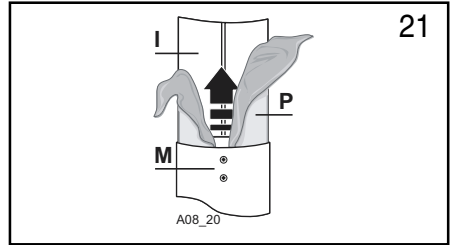
- Remove the four screws fastening the plastic frame, as shown in **Fig. 17**.
- Fit the ducting spigot **R** (**Fig. 20**) and replace the four screws removed as above.



INSTALLATION INSTRUCTIONS

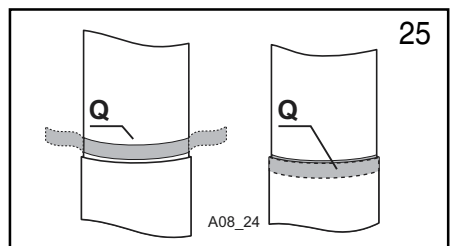
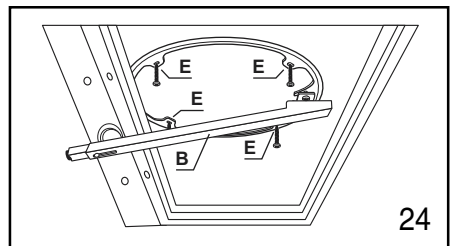
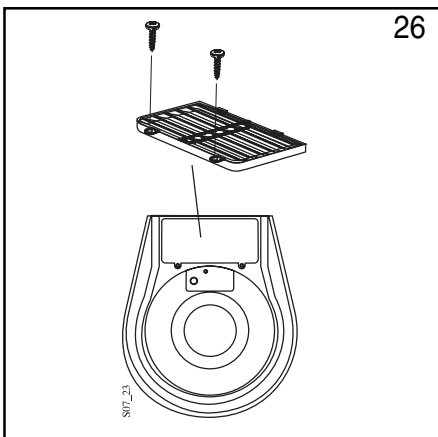
Fixing the chimney

- Loosen the screws **M** fixing the two parts of the chimney and pull the inner section **I** (Fig. 21) almost all the way out. Remove the protective film **P**.
- Rest the lower section of the chimney in its housing on the top of the hood canopy. Lower the ducting fan unit until it reaches the wall bracket **S** and fix it using the screw **H** provided (Fig. 22). Fit cover **D** provided on the wall bracket **S** (Fig. 23).
- Fix the chimney **A** to the hood canopy **C** using four screws provided (Fig. 24).
- Insert the transparent seal **Q** provided, so as to eliminate any play between the two parts of the chimney (Fig. 25). Lock the screws **M**.
- Remove the support rod **B**.



Ducting or re-circulation fitting

- Ducting fitting:
This is possible in all forms of installation.
 - Connect the air outlet to the external ducting system.
 - Remove the activated charcoal filter (if fitted) inside the hood canopy (See Maintenance and Cleaning).
- Re-circulation fitting:
This is only possible with the air outlet directed upwards. Fit the venting grille **G** onto the air outlet (Fig. 26). The activated charcoal filter should be fitted inside the hood canopy after connection.

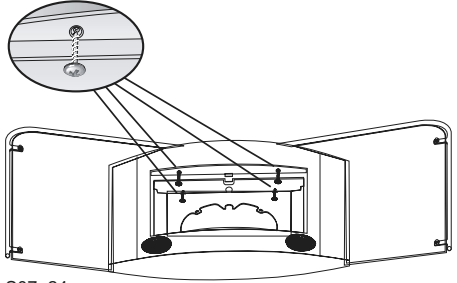


INSTALLATION INSTRUCTIONS

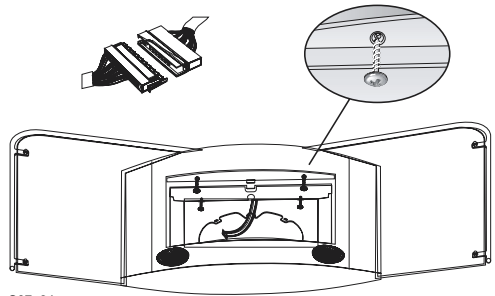


Electrical connection and working test:

1. Remove the metal cover by unscrewing the four self tapping screws.
2. Connect the 'Push-Fit' connectors coming from the fan assembly to the canopy.
3. Position the terminals as illustrated under the cover and replace the cover with the four self tapping screws.
4. Once the electrical connection has been completed, check that the worktop lighting, fan motor and the speed selection is working properly.
5. Replace the charcoal filter (if the hood is to be used in the recirculation mode) and the metal grease filter cassette.



S07_24



S07_34

Service and Spare Parts



In the event of your appliance requiring service, or if you wish to purchase spare parts please contact your local Service Force Centre by telephoning:

08705 929929

Your telephone call will be automatically routed to the Service Force centre covering your post code area.

For the address of your local Service Force Centre and further information about Service Force, please visit the website at www.serviceforce.co.uk

Before calling out an engineer, please ensure you read the details under the heading Something not working.

When you contact the Service Force Centre you will need to give the following details:

1. Your name, address and post code
2. Your telephone number
3. Clear and concise details of the fault
4. The model and serial number (found on the rating plate)
5. The purchase date

Please note that a valid purchase receipt or guarantee documentation is required for in-guarantee service calls.

For Customer Service in Ireland please contact us at the address below:

Zanussi
Electrolux Group (Irl) Ltd
Long Mile Road
Dublin 12
Republic of Ireland
Tel: + 353 (0)1 4090751
Email: service.eid@electrolux.ie

Customer Care Department

For general enquiries concerning your Zanussi appliance or for further information on Zanussi products please contact our Customer Care Department by letter or telephone at the address below or visit our website at www.zanussi.co.uk

Customer Care Department
Zanussi
55-77 High Street
Slough
Berkshire
SL1 1DZ
Tel: 08705 727727 (*)

** calls to this number may be recorded for training purposes*



Dir. 89/336/CEE
73/23/CEE

© Electrolux plc 2002

4329161_12 - 041207