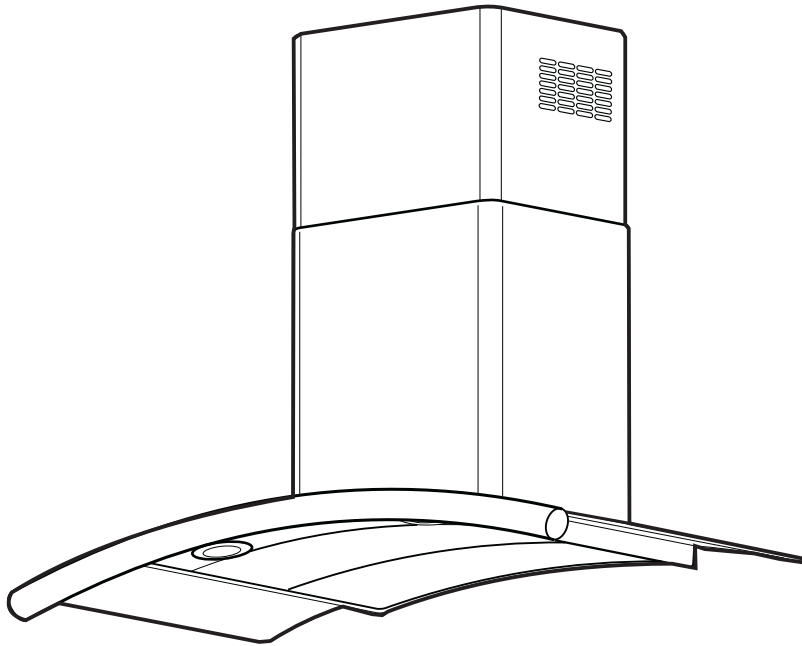




User Manual

CH 700



Safety warnings	3
For the installer	3
For the user	4
Description of the Appliance	5
Extractor version	5
Recirculation Version	6
Control Panel	6
Correct ventilation	6
Maintenance and Care	7
Cleaning the hood	7
Metal grease filter	7
Removing the metal grease filter	7
Charcoal filter	8
Changing the light bulb	8
Something Not Working	9
Special accessories	9
Service and Spare Parts	10
Guarantee Conditions	11
Technical Details	12
Installation	12
Unpacking	12
Fitting	12
Electrical connection	13
Mounting accessories included	13
Wall mounting	13

Before installing or using this appliance please read this instruction book carefully paying particular attention to the safety warnings on the following page.

If you have any queries regarding this appliance please contact Customer Care for advice.

Please keep this instruction book for future reference and pass it on to any future owner of the appliance.



Safety warnings

For the installer

- When used as an extractor unit, the hood must be fitted with a 150mm diameter hose.
Attention: The hose is not supplied and must be purchased separately.
- Should there already be a pipe of diameter 125 or 120 mm that ducts to the outside through the walls or roof, it is possible to use the 150/125-120 mm reduction flange provided. In this case the hood will be slightly noisier.
- **When installing the hood, make sure you respect the following minimum distance from the top edge of the cooking hob/ring surfaces:**

electric cookers	600 mm
gas cookers	700 mm

The hood can be installed above these heights but for optimum performance it should be installed at the distance quoted for the appropriate heat source.
- The national Standard on fuel-burning systems specifies a maximum depression of 0.04 mbar in such rooms.
- The air outlet must not be connected to chimney flues or combustion gas ducts. The air outlet must under no circumstances be connected to ventilation ducts for rooms in which fuel-burning appliances are installed.
- The air outlet installation must comply with the regulations laid down by the relevant authorities.
- When the unit is used in its extractor version, a sufficiently large ventilation hole must be provided, with dimensions that are approximately the same as the outlet hole.
- National and regional building regulations impose a number of restrictions on using hoods and fuel-burning appliances connected to a chimney, such as coal or oil room-heaters and gas fires, in the same room.
- Hoods can only be used safely with appliances connected to a chimney if the room and/or flat (air/environment combination) is ventilated from outside using a suitable ventilation hole approximately 500-600 cm² large to avoid the possibility of a depression being created during operation of the hood.
- If you have any doubts, contact the relevant controlling authority or building inspector's office.
- Since the rule for rooms with fuel burning appliances is "outlet hole of the same size as the ventilation hole", a hole of 500-600 cm², which is to say a larger hole, could reduce the performance of the extractor hood.
- If the hood is used in its filtering function, it will

operate simply and safely in the above conditions without the need for any of the aforementioned measures.

- When the hood is used in its extractor function, the following rules must be followed to obtain optimal operation:
 - short and straight outlet hose
 - keep bends in outlet hose to a minimum
 - never install the hoses with an acute angle, they must always follow a gentle curve.
 - keep the hose as large as possible (preferably the same diameter as the outlet hole).
- Failure to observe these basic instructions will drastically reduce the performance and increase the noise levels of the extractor hood.


For the user

- **The cooker hood is designed to extract unpleasant odours from the kitchen, it will not extract steam.**
- Always cover lighted elements, to prevent excess heat from damaging the appliance. In the case of oil, gas and coal fired cookers it is essential to avoid open flames.
- Also, when frying, keep the deep frying pan on the cooker top/cooker under careful control.
- The hot oil in the frying pan might ignite due to overheating.
- The risk of self-ignition increases when the oil being used is dirty.
- It is extremely important to note that overheating can cause a fire.
- **Never carry out any flambé cooking under the hood.**
- **Always disconnect the unit from the power supply before carrying out any work on the hood, including replacing the light bulb** (take the cartridge fuse out of the fuse holder or switch off the automatic circuit breaker).
- **It is very important to clean the hood and replace the filter at the recommended intervals. Failure to do so could cause grease deposits to build up, resulting in a fire hazard.**
- The appliance is not intended for use by young children or infirm persons without supervision.
- Young children should be supervised to ensure that they do not play with the appliance.
- **WARNING** - Ensure that the appliance is switched off before replacing the lamp to avoid the possibility of electric shock.

This appliance is marked according to the European directive 2002/96/EC on Waste Electrical and Electronic Equipment (WEEE).

By ensuring this product is disposed of correctly, you will help prevent potential negative consequences for the environment and human health, which could otherwise be caused by inappropriate waste handling of this product.



The symbol  on the product, or on the documents accompanying the product, indicates that this appliance may not be treated as household waste. Instead it shall be handed over to the applicable collection point for the recycling of electrical and electronic equipment.

Disposal must be carried out in accordance with local environmental regulations for waste disposal. For more detailed information about treatment, recovery and recycling of this product, please contact your local city office, your household waste disposal service or the shop where you purchased the product.

Description of the Appliance

- The cooker hood is designed to extract unpleasant odours from the kitchen, it will not extract steam.
- The hood is supplied as a filter unit (with charcoal filter already supplied and fitted) and can also be used with an extractor function by removing the charcoal filter.

Extractor version

- In this version fumes are extracted to the outside via a hose connected to the coupling ring.
Attention: The hose is not supplied and must be purchased separately.
- Remove the grease filters and remove the Charcoal Filter from its housing by unscrewing the two screws that fix it to the hood. Refit the grease filters.
- In order to obtain the best performance the hose should have a diameter equal to the outlet hole. Should there already be a pipe of diameter 125 or 120 mm that ducts to the outside through the walls or roof, it is possible to use the 150/125-120 mm reduction flange provided. In this case the hood will be slightly noisier.

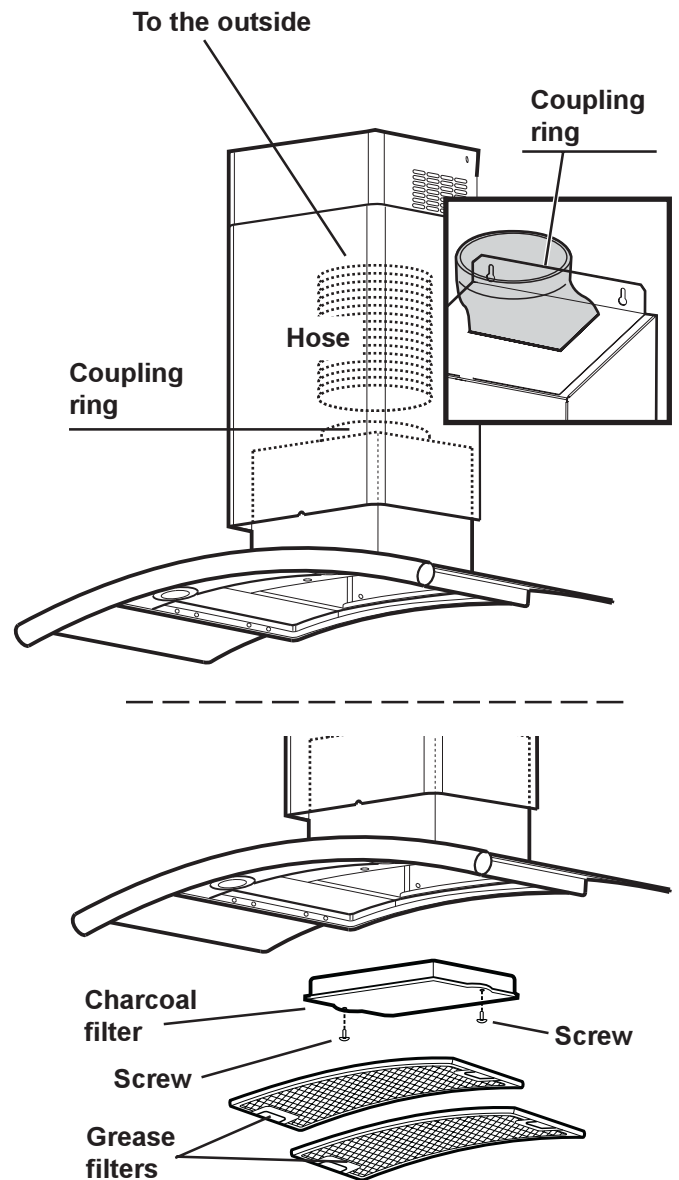


Fig. 1 - Extractor version

Recirculation Version

- The air is filtered through a **charcoal filter** and returned to the kitchen through the **side grids**.
- You will need an original Electrolux charcoal filter for this function (Available from your local Electrolux Service Force Centre).
- Fix the **deflector** using 2 screws $\text{Ø } 3,5 \times 6,5$ mm.
- Fix the **connection flange** using 2 screws $\text{Ø } 3,5 \times 6,5$ mm.

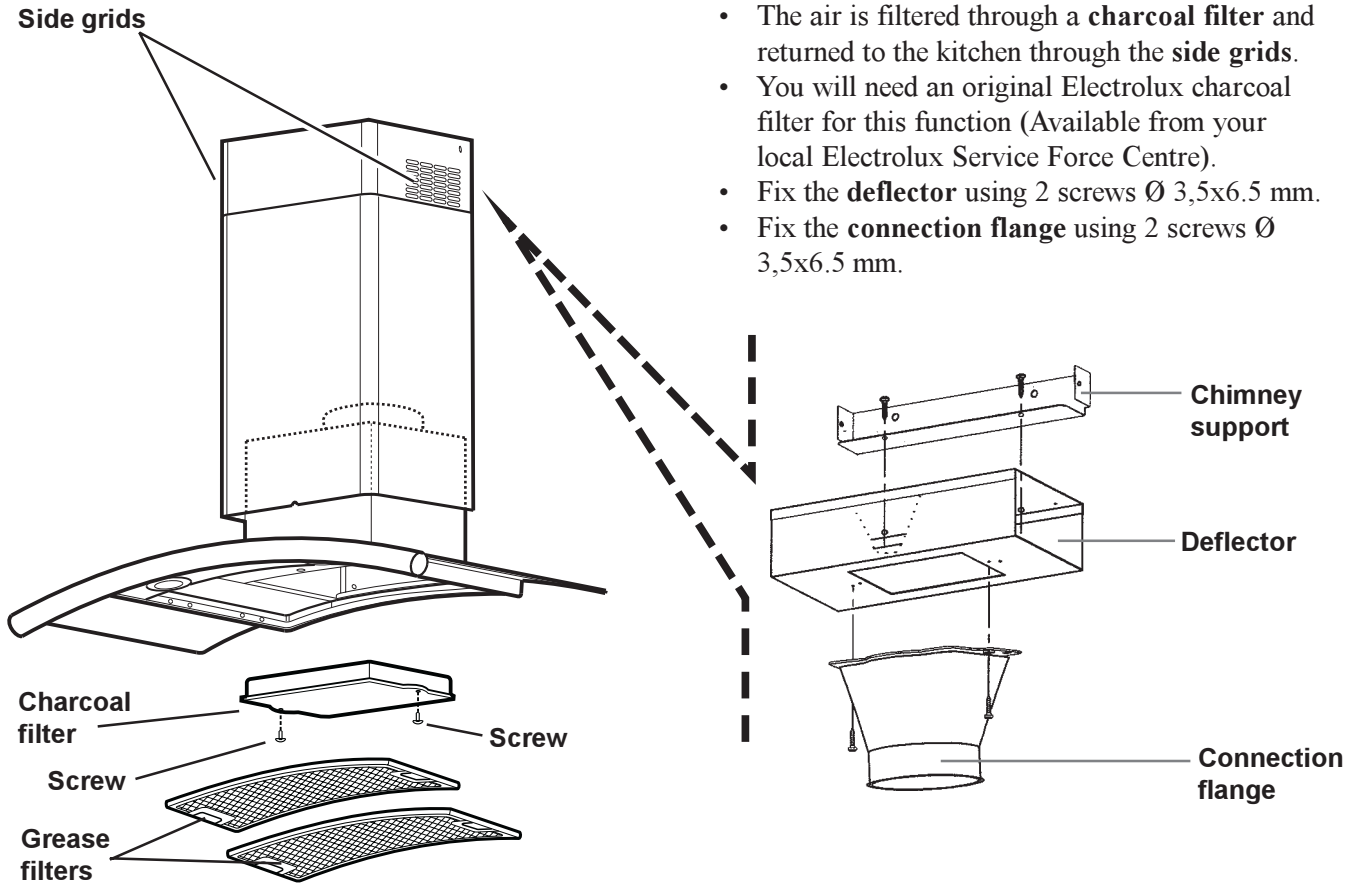


Fig. 2 - Control Panel

Control Panel

- Best results are obtained by using a low speed for normal conditions and a high speed when odours are more concentrated.
Turn the hood on a few minutes before you start cooking, you will then get an under pressure in the kitchen. The hood should be left on after cooking for about 15 minutes or until all the odours have disappeared. The control switches are located on the unit's front panel:
- the **light switch** switches the hood lamp ON and OFF;
- **ON/OFF Extractor fan switch - Push button 1**: used to turn the fan off and to set the fan to speed 1.
- **Push button 2**: used to set the fan to speed 2.
- **Push button 3**: used to set the fan to speed 3.

Correct ventilation

If the cooker hood is to work correctly there must be an under pressure in the kitchen. It is important to keep the kitchen windows closed and have a window in an adjacent room open.

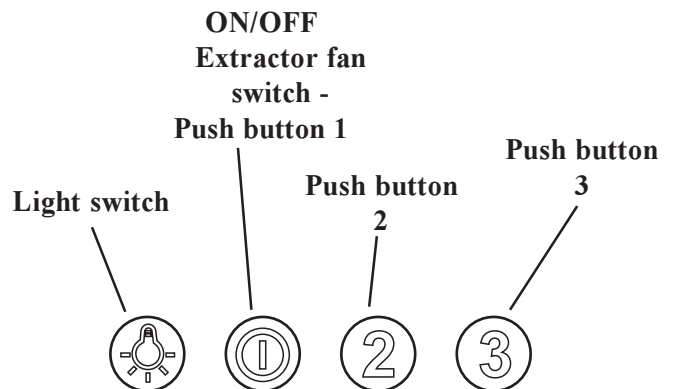


Fig. 3 - Control Panel

Maintenance and Care

- The hood must always be disconnected from the electricity supply before beginning any maintenance work.

Cleaning the hood

- Clean the outside of the hood using a damp cloth and a mild detergent.
- Never use corrosive, abrasive or flammable cleaning products.
- Never insert pointed objects in the motor's protective grid.
- Wash the outside surfaces using a delicate detergent solution. Never use caustic detergents or abrasive brushes or powders.
- Only ever clean the control panel and filter grille using a damp cloth and delicate detergents.
- It is extremely important to clean the unit and change the filters at the recommended intervals. Failure to do so will cause grease deposits to build up that could constitute a fire hazard.

Metal grease filter

- The purpose of the grease filters is to absorb grease particles which form during cooking and it **must** always be used, either in the external extraction or internal recycling function. Attention: the metal grease filters must be removed and washed, either by hand or in the dishwasher, every four weeks.

Removing the metal grease filter

- First, push both **metal grease filter handles** towards the centre, then extract the filter, pulling downwards. Repeat the steps with the second filter.

Hand washing

Soak grease filters for about one hour in hot water with a little washing-up liquid, then rinse off thoroughly with hot water. Repeat the process if necessary. Refit the grease filters when they are dry.

Dishwasher

Place grease filters in the dishwasher. Select most powerful washing programme and highest temperature, at least 65°C. Repeat the process. Refit the grease filters when they are dry.

When washing the metal grease filter in the dishwasher a slight discolouration of the filter can occur, this does not have any impact on its performance.

- Clean the inner housing using a hot detergent solution only (never use caustic detergents, abrasive powders or brushes).

Warning

- Failure to observe the instructions on cleaning the unit and changing the filters will cause a fire hazard. You are therefore strongly recommended to follow these instructions.
- The manufacturer declines all responsibility for any damage to the motor or any fire damage linked to inappropriate maintenance or failure to observe the above safety recommendations.

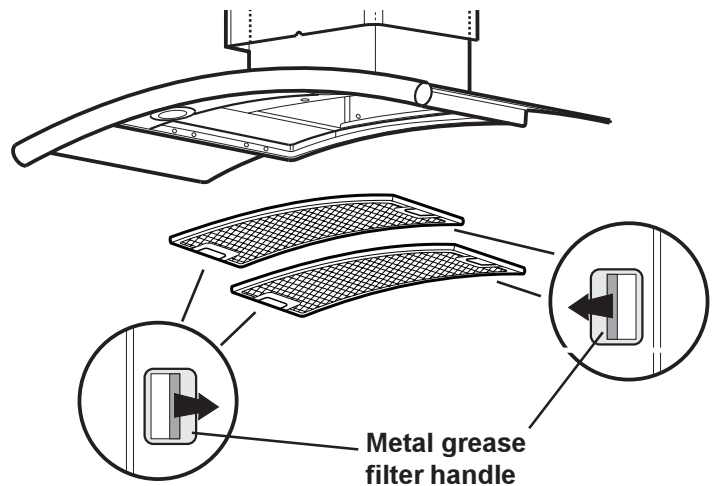


Fig. 4 - Removing the metal grease filter

Charcoal filter

- The charcoal filter is already supplied and mounted in place.
- The charcoal filter should only be used if you want to use the hood in the recirculation function.
- Only applicable for recirculation. The charcoal filters absorb smells and odours.
- The charcoal filter cannot be washed nor regenerated.

The charcoal filter should be replaced every 6 months under normal use.

Replacement filters are available from your local Service Force Centre.

Fitting:

- Unplug the unit or disconnect it from the power supply
- Remove the **metal grease filter**.
- Fit the **charcoal filter** and fix it to the body of the hood with two supplied **screws**.
- Refit the metal grease filters.
- **To remove** proceed in the reverse order.
- Always specify the hood model code number and serial number when ordering replacement filters. This information is shown on the registration plate located on the inside of the unit.
- The charcoal filter can be ordered from your local ELECTROLUX Service Force Centre.

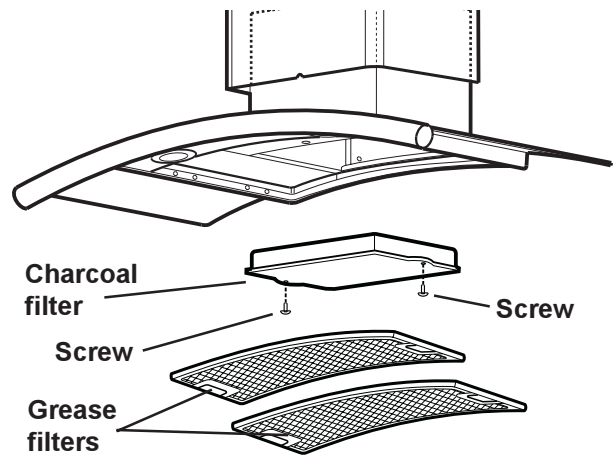


Fig. 5 - Fitting the Charcoal Filter

Changing the light bulb

- Disconnect the cooker hood from the main supply.
- Remove the lamp cover, use a screw driver as a lever.
- Replace the old bulb with a new one of the same type.
- Refit the lamp cover.
- If the light does not come on, make sure the bulb has been inserted correctly before contacting your local Service Force Centre.

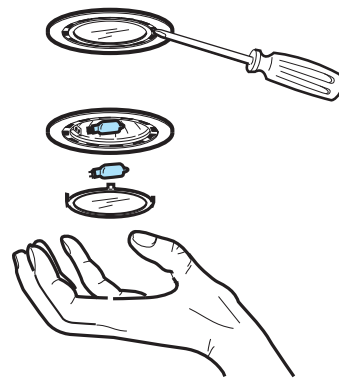


Fig. 6 - Changing the light bulb

Something Not Working

If your appliance fails to work properly please carry out the following checks.

Symptom	Solution
The cooker hood will not start.	Check that: The hood is connected to the electricity supply. Check that a fan speed has been selected
The cooker hood is not working	Check that: The fan speed is set high enough for the task. The grease filters are clean. The kitchen is adequately vented to allow the entry of fresh air. If set up for recirculation, check that the charcoal filter is still effective. If set up for extraction, check that the ducting and outlets are not blocked.
The cooker hood has switched off during operation.	The safety cut-out device has been tripped. Turn off the hob and then wait for the device to reset. If the hood has been installed below the heights indicated in the installation instructions the motor will cut-out frequently which will damage the hood.

If after all these checks, the problem persists, contact your local Service Force Centre, quoting the model and serial number.

Please note that it will be necessary to provide proof of purchase for any in-guarantee service calls.

In-guarantee customers should ensure that the above checks have been made as the engineer will make a charge if the fault is not a mechanical or electrical breakdown.

Special accessories

Charcoal filter Type 160

In the event of your appliance requiring service, or if you wish to purchase spare parts, contact your local Electrolux Service Force Centre by telephoning:

08705 929 929

Your telephone call will be automatically routed to the Service Centre covering your post code area. For the address of your local Service Force Centre and further information about Service Force, please visit the website at www.serviceforce.co.uk

Please ensure that you have read the section „Something Not Working“ as the engineer will make a charge if the fault is not a mechanical or electrical breakdown even the appliance is under warranty. **Please note that proof of purchase is required for in-guarantee service calls.**

Help us to help you

Please determine your type of enquiry before writing or telephoning.

When you contact us we need to know:

- Your name
- Address and post code
- Telephone number
- Clear and concise details of the fault
- Name and model of the appliance*
- E number*

* This information can be found on the rating plate, which can be seen when the grease filters are removed.

CUSTOMER CARE DEPARTMENT

For general enquiries concerning your Electrolux appliance or for further information on Electrolux products, please contact our Customer Care Department by letter or telephone at the address below or visit our website at www.electrolux.co.uk

Customer Services Department

Major Appliances

Electrolux

Addington Way

Luton

Bedfordshire

LU4 9QQ

08705 950 950 (*)

* calls to this number may be recorded for training purposes.

Guarantee Conditions

Standard guarantee conditions

We, Electrolux, undertake that if within 12 months of the date of the purchase this Electrolux appliance or any part thereof is proved to be defective by reason only of faulty workmanship or materials, we will, at our option repair or replace the same **FREE OF CHARGE** for labour, materials or carriage on condition that:

The appliance has been correctly installed and used only on the electricity supply stated on the rating plate.

The appliance has been used for normal domestic purposes only, and in accordance with the manufacturer's instructions.

The appliance has not been serviced, maintained, repaired, taken apart or tampered with by any person not authorised by us.

All service work under this guarantee must be undertaken by an Electrolux Service Force Centre. Any appliance or defective part replaced shall become the Company's property.

This guarantee is in addition to your statutory and other legal rights.

Home visits are made between **8.30am and 5.30pm** Monday to Friday.

Visits may be available outside these hours in which case a **premium** will be charged.

Exclusions

This guarantee does not cover:

Damage or calls resulting from transportation, improper use or neglect, the replacement of any light bulbs or removable parts of glass or plastic.

Costs incurred for calls to put right an appliance which is improperly installed or calls to appliances outside the European Community (EC) or European Free Trade Area.

Appliances found to be in use within a commercial environment, plus those which are subject to rental agreements.

Products of Electrolux manufacture which are not marketed by Electrolux.

European Guarantee

If you should move to another country within Europe then your guarantee moves with you to your new home subject to the following qualifications:

The guarantee starts from the date you first purchased your product.

The guarantee is for the same period and to the same extent for labour and parts as exists in the new country of use for this brand or range of products.

This guarantee relates to you and cannot be transferred to another user.

Your new home is within the European Community (EC) or European Free Trade Area.

The product is installed and used in accordance with our instructions and is only used domestically, i.e. a normal household.

The product is installed taking into account regulations in your new country.

Before you move please contact your nearest Customer Care centre, listed below, to give them details of your new home. They will then ensure that the local Service Organisation is aware of your move and able to look after you and your appliances.

France	Senlis	+33 (0)3 44 62 20 13
Germany	Nürnberg	+49 (0)800 234 7378
Italy	Pordenone	+39 (0) 800 117511
Sweden	Stockholm	+46 (0)20 78 77 50
UK	Luton	+44 (0) 8705 950 950

Technical Details

Dimensions (in cm):

Height (cm)	78,5-120
Width (cm)	69,8
Depth (cm)	50,5
Maximum absorbed power:	210 W
Motor power:	1 x 170
Lighting:	2 x 20 W
Length of the cable:	150 cm
Electrical connection:	220 - 240 V

Subject to change without notice.

Installation

Unpacking

Check that the cooker hood has no damages. Transportation damages should immediately be reported to the company responsible for the transportation.

Damages, faults and eventually missing details should immediately be reported to the retailer.

Take care of the packing materials so that small children cannot play with them.

Fitting

The hood is to be mounted on the wall.

When installed, the hood must be not less than 60 cm. above electric burners or 70 cm. above gas or mixed-fuel burners.

The hood can be installed above these heights but for optimum performance it should be installed at the distance quoted for the appropriate heat source.

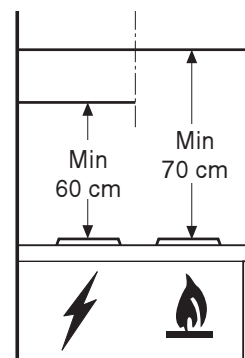


Fig. 7 - Fitting

Electrical connection for UK only

Safety warnings for the electrician

Connect the hood to the mains supply via a double pole switch which has 3 mm minimum separation between the contacts.

The switch must be accessible at all times.

The following is valid in the United Kingdom only:

- the wire which is coloured blue must be connected to the terminal which is marked with the letter N or coloured black, -
- the wire which is coloured brown must be connected to the terminal which is marked with the letter L or coloured red.

Installation

Mounting accessories included

- 1 deflector
- 1 chimney support
- 1 reduction flange Ø 125-120 mm
- 1 charcoal filter (already fitted)
- 8 wood-screws 5 x 45 mm (for wall mounting - 2 as spare parts)
- 8 wall plugs Ø 8 mm (for wall mounting - 2 as spare parts)
- 6 washers (2 for chimney support - 2 for lower fixing - 2 as spare parts)
- 8 metal screws 3,5 x 6,5 (for all fixing except - lower chimney fixing)
- 2 metal screws 3,5 x 9,5 (lower chimney fixing)

We reserve the right to change specifications and colours as a result of our policy of continuing technological development.

Wall mounting

Disconnect the hood during electrical connection, by turning the home mains switch off.

- Mark the wall with a centre line, this will aid mounting procedure (1), position the template so that the mid line printed on the template matches with the centre line previously drawn, the lower side of the template corresponds to the lower side of the hood once mounted (2).
- Drill four holes Ø 8mm and fit four wall plugs (3).
- Drill two holes Ø 8mm on the upper side close to the ceiling (4) use the chimney support as a template, check that the mid of the chimney support corresponds to the mid of the centre line previously drawn, fit two wall plugs.

Note: ONLY in case the hood is to be used in **filter version**, mount the deflector **E** on the chimney support and the connection flange **G** with two screws each (5).

- Put the chimney support close to the ceiling to the vertical of the cooking place, use the centre line (1) for easy positioning, mark two holes onto the wall and drill, then insert two wall plugs and fix the chimney support with two screws and washers (6).
- Screw two screws (do not tighten completely, leave them so that can be used to hang the hood), hang the hood (7), remove the grease filters and fix it definitively with two screws and washers (8), check that all four screws are securely tightened.
- Fit an exhaust pipe (9) to connect the outlet hole **D** of the hood to the connection flange **G** of the deflector **E** (Filter version) or to the outside (Extractor version).
- Make electrical connection (10), but leave the hood disconnected from the mains supply.
- Place the cable clamp in the corresponding housing (11).
- Fix the control panel to the rear bracket on the lower section of the chimney with two screws (12 - Cable must be positioned upwards to have correct position of control switches).
- Position the chimney and secure them in place, first up (13a) to the chimney support (13b) .
- Then slide the chimney downwards making sure the cable clamp (step 11) is seated in the housing on chimney (14).
- Fix the lower section of the chimney with two screws from the inside of the hood (15).
- Refit the grease filters, connect the hood to the home general electric panel and check if the hood work properly.

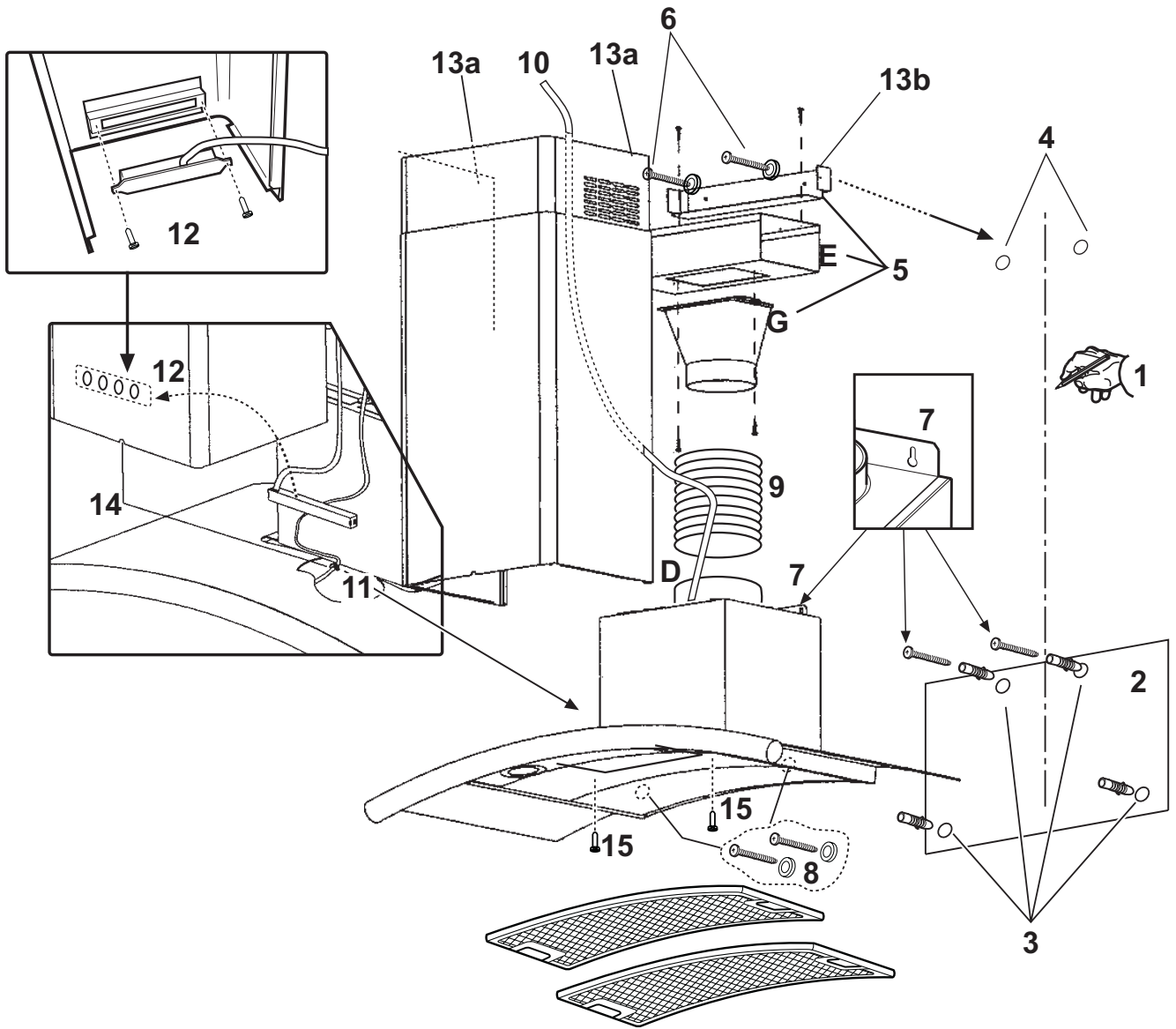


Fig. 8 - Wall mounting



 ***The Electrolux Group. The world's No.1 choice.***

The Electrolux Group is the world's largest producer of powered appliances for kitchen, cleaning and outdoor use. More than 55 million Electrolux Group products (such as refrigerators, cookers, washing machines, vacuum cleaners, chain saws and lawn mowers) are sold each year to a value of approx. USD 14 billion in more than 150 countries around the world.