



REFRIGERATOR 160 RE

LARDER 160 LE

**OPERATING AND INSTALLATION
INSTRUCTIONS**

SAFETY INFORMATION

It is most important that this instruction book should be retained with the appliance for future reference. Should the appliance be sold or transferred to another owner, or should you move house and leave the appliance, always ensure that the book is left with the appliance in order that the new owner can get to know the functioning of the appliance and the relevant safety information.

This information has been provided in the interest of safety. You **MUST** read them carefully before installing or using the appliance.

Installation

- This appliance is heavy. Care should be taken when moving it.
- It is dangerous to alter the specifications or attempt to modify this product in any way.
- Care must be taken to ensure that the appliance does not stand on the electrical supply cable.
- Any electrical work required to install this appliance should be carried out by a qualified electrician or competent person.
- This appliance should be left for 2 hours after installation before it is turned on in order to allow the refrigerant to settle.
- There are working parts in this product which heat up. Always ensure that there is adequate ventilation as a failure to do this will result in possible food loss. See installation instructions.
- Parts which heat up should not be exposed. Wherever possible, the back of the appliance should be close to a wall but leaving the required distance for ventilation as stated in the installation instructions.
- Before defrosting, cleaning or maintenance work is carried out, be sure to switch off the appliance and unplug it.
- Frozen food should NOT be refrozen once it has thawed out.
- Do not place carbonated or fizzy drinks in the freezer as it creates pressure on the container, which may cause it to explode, resulting in damage to the appliance.
- Ice lollies can cause "frost/freezer burns" if consumed straight from the freezer.
- Do not remove items from the freezer compartment if your hands are damp/wet, as this could cause skin abrasions or "frost/freezer burns".
- The cooling plate or refrigerated freezer shelves in this appliance contain channels through which refrigerant passes. If these are punctured this would cause substantial damage to the appliance and result in food loss. **DO NOT USE SHARP INSTRUMENTS** to scrape off frost or ice. Under **NO** circumstances should solid ice be forced off the lining or shelves. Solid ice should be allowed to thaw, when defrosting the appliance. See Defrost instructions.

Child Safety

- This appliance is designed to be operated by adults. Children should not be allowed to tamper with the controls or play with the product.

During Use

- Onyx domestic refrigerators, freezers and fridge/freezers are designed to be used specifically for the storage of edible foodstuffs only.
- Manufacturers' recommended storage times should be adhered to. Refer to relevant instructions.
- This product should be serviced by an authorised engineer, and only genuine Onyx spare parts should be used.
- Under no circumstances should you attempt to repair the machine yourself. Repairs carried out by inexperienced persons may cause injury or serious malfunctioning. Contact your local Service Centre.

CONSERVATION

In the interests of the Environment:

When disposing of your old fridge, freezer or fridge/freezer:

- Help to keep your country tidy - use authorised disposal sites for your old appliances.
- If you are discarding an old appliance that has a lock or catch on the door, you must ensure that it is made unusable to prevent young children being trapped inside.

Check with your local Council or Environmental Health Office to see if there are facilities in your area for re-cycling this appliance.

For Maximum Efficiency

- Make sure that the appliance is cleaned properly.
- Make sure that the door is closed properly.
- Do not position the appliance near to sources of heat.
- Do not over-fill your appliance, air **MUST** be allowed to circulate.
- Do not open the door for longer than is absolutely necessary, as warm air will enter the appliance.

TECHNICAL SPECIFICATIONS

DIMENSIONS	Larder 160 LE	DIMENSIONS	Refrigerator 160 RE
Height:	850 mm	Height:	850 mm
Width:	550 mm	Width:	550 mm
Depth:	600 mm	Depth:	600 mm
CAPACITY:		CAPACITY:	
Gross:	159 Litres / 5.5 cu.ft.	Gross:	157 Litres / 5.5 cu.ft.
Net:	148 Litres / 5.2 cu.ft.	Net:	138 Litres / 4.8 cu.ft.
Net capacity Fridge:	N/A	Net capacity Fridge:	118 Litres / 4.1 cu.ft.
Net capacity Freezer:	N/A	Net capacity Freezer:	20 litres / 0.7 cu.ft.
Star Rating:	N/A	Star Rating:	2
Voltage:	230 V	Voltage:	230 V
Frequency:	50 Hz	Frequency:	50 Hz
Average Daily Units Of Electricity: *	0.60 kWh	Average Daily Units Of Electricity: *	0.75 kWh

* This figure is based on standard test results in accordance with the European Standard EN153. Actual consumption will depend on how the appliance is used and where it is located.

This appliance complies with E.E.C. directives: 87/308 of 2.6.87 relative to radio interference suppression.



This appliance complies with the following E.E.C Directives:

73/23 EEC of 19.2.73 (Low Voltage Directive) and subsequent modifications;

89/336 EEC of 3.5.89 (Electromagnetic Compatibility Directive) and subsequent modifications.

CONTENTS

Safety Information	Page	3
Conservation	Page	4
Technical Specifications	Page	4
Installation	Page	6
Before Using	Page	6
Positioning	Page	6
Door Reversal Instructions	Page	6
Electrical Connections	Page	7
Your Appliance	Page	8
The Adjustable Shelving	Page	8
Temperature Control	Page	8
Defrost Tray (160 RE)	Page	8
Defrosting	Page	9
Frozen Food Compartment (160RE)	Page	9
Health and Safety Guidelines	Page	10
Maintenance and Cleaning	Page	11
Internal and External Cleaning	Page	11
When the appliance is not in use	Page	11
Replacing the Light Bulb	Page	11
Before Calling for Service	Page	12
Onyx guarantee conditions	Page	13
Service Centres	Page	14

INSTALLATION

Before using

Remove all securing tapes. Wash inside the appliance with lukewarm water and bicarbonate of soda (5ml to 0.5 litre of water). **Do not use soap or detergent as the smell may linger.**

Dry thoroughly.

Positioning

When the refrigerator is sited in its chosen position, ensure that it is both level and stable and there is adequate ventilation to the back, sides and top of the refrigerator.

For this appliance to work efficiently, it should be located away from heat sources, e.g. cookers, radiators, boilers, direct sunlight, etc. This also includes locations or rooms where the ambient temperature reaches above 32°C or drops below 16°C (e.g. conservatories).

You should also ensure that air can circulate freely around the back and the top of the cabinet. There must also be at least 50mm (2") distance between the top of the cabinet and any overhanging kitchen furniture.

There should also be a gap of 25mm (1") either side and at the top of the appliance. Do not obstruct the space underneath. The back of the cabinet may be placed close to the wall but must not touch it. **DO NOT** install in places with restricted ventilation.

Your appliance will be heavy when loaded with food and must therefore be stood on a strong firm floor. It should be level. Adjust the level by screwing out the adjustable feet at the front of the appliance using your fingers or a spanner. Make sure the appliance is upright and both adjusters are in firm contact with the floor so that the cabinet is level and does not rock in any direction.

The appliance should be left for 2 hours after installation before it is turned on, in order to allow the refrigerant to settle. Switch on the appliance and allow 12 hours for the correct temperature to be reached before placing food inside.

Door Reversal Instructions

If your appliance is already in use **DISCONNECT** from the electricity supply. Remove shelves and other loose items including food, then store food in a cool place.

Gently lay the appliance on its back with the top held away from the floor by at least 30cm (12"), use a stool or something similar. Use a towel or cloth at the base of the product to protect the sides of the appliance ensuring the product does not slip. Do not support the appliance on the rear ventilation grill, (see fig.1).

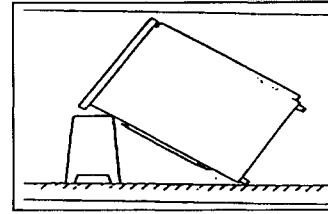


FIG 1

Unscrew the two securing screws and remove hinge foot assembly. Remove the two screws and foot on the opposite side of the appliance, where the door will be fixed after changing the opening direction, (see fig.2). Then detach (lift off) the door.

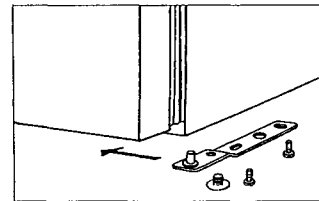
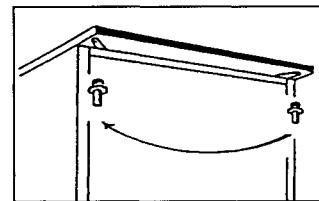


FIG 2 Unscrew the upper door-holder pin of the appliance and mount it up on the opposite side, (see fig.3).



3

FIG

Place the door of the appliance onto the upper door holder pin (hinge).

Mount the lower hinge foot assembly on the opposite side. Make sure that the edge of the door is parallel with the rim of the casing. At the same time, secure the two screws into the vacant holes. Screw back the adjustable leg on the opposite side.

Transfer the handle to the other side and place the plastic covering caps in the vacant holes, (see fig.4)

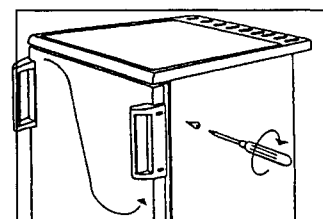


FIG 4

Finally level the appliance by means of the adjustable feet, switch on and replace food.

ELECTRICAL CONNECTIONS

WARNING: THIS APPLIANCE MUST BE EARTHED.

The Manufacturer declines any liability should this safety measure not be observed.

Before switching on, make sure that the voltage of your electricity supply is the same as that indicated on the rating plate, located inside the cabinet.

For your convenience, this appliance comes complete with either a moulded-on or re-wireable 13 amp (BS1363) plug, protected by a 13 amp ASTA approved (BS1362) fuse.

In the event of having to change the fuse in the plug supplied, a replacement 13 amp ASTA approved (BS1362) fuse must be used.

In the case of a moulded-on plug, the fuse cover MUST be refitted after changing the fuse.

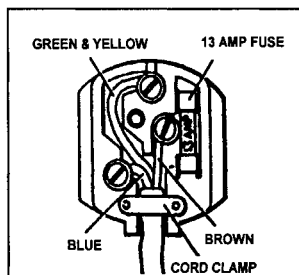
In the case of a re-wireable plug, care must be taken to ensure that the top cover is refitted without causing damage to either the top cover or base. In the event of the plug becoming damaged or cracked, it must be replaced with an equivalent 13 amp BS1363 plug (Fig.5) and re-wired using the following procedure:-

IMPORTANT

The wires in the mains lead are coloured in accordance with the following code:

Green and Yellow	-	Earth
Blue	-	Neutral
Brown	-	Live

FIG 5



The wire coloured Green and Yellow (earth) must be connected to the terminal in the plug which is marked with the letter 'E' or the earth symbol \oplus , or coloured green and yellow.

The wire coloured blue (neutral) must be connected to the terminal in the plug which is marked with the letter 'N' or coloured black.

The wire coloured brown (live) must be connected to the terminal in the plug which is marked with the letter "L" or coloured red.

Upon completion, there must be no cut, loose or stray strands of wire present and the cord clamp must be secure over the outer sheath.

If a 13 amp (BS1363) plug is unsuitable for your socket outlet, the plug should be removed, (cut off in the case of a moulded-on plug) and an appropriate plug fitted.

NOTE: Moulded plugs cannot be re-used and should be discarded if cut from a mains lead, as insertion into a 13A socket could prove fatal.

If a non-fused plug is fitted (Fig.6), the wiring must follow the above procedure and the appliance must be protected by the use of a 15 amp fuse either in the adapter or at the distribution board.

Green and Yellow	-	Earth
Blue	-	Neutral
Brown	-	Live

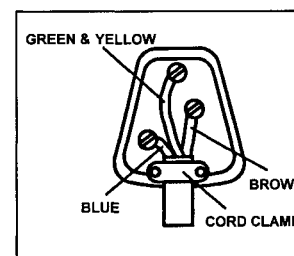
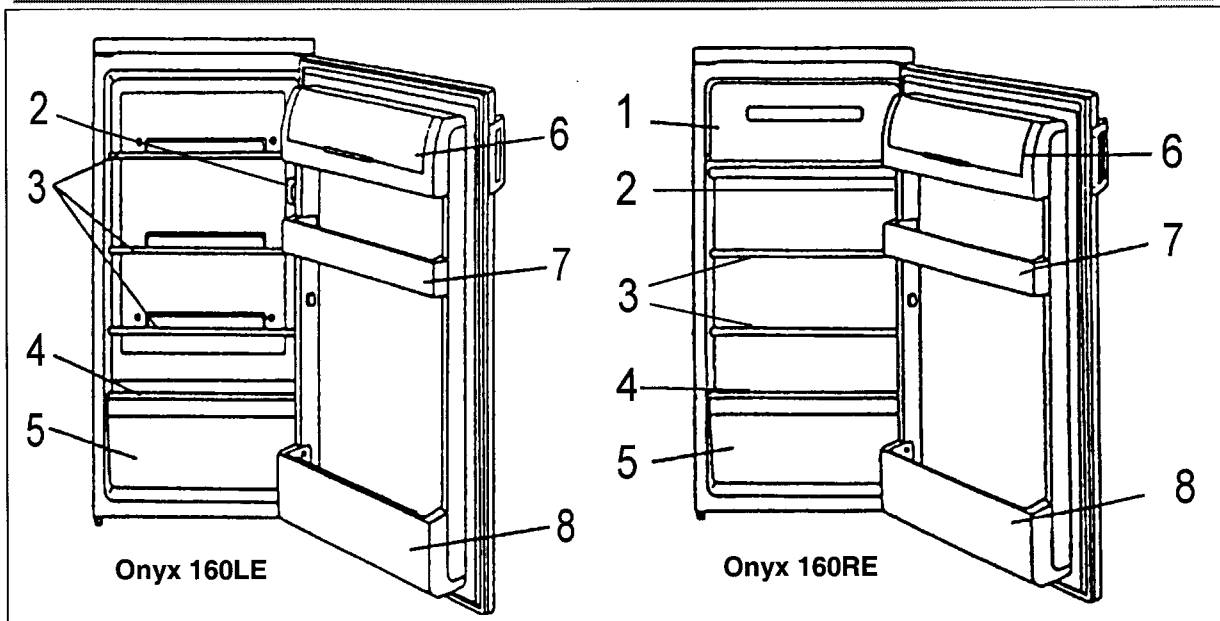


FIG 6

If at any time a replacement supply cord is required, the cross sectional area of its conductors must not be less than 0.75mm² and the cable clamp must be tightened so as to fully retain the new cord.

We recommend that this type of installation be checked by a fully qualified electrician. Please ensure that when the appliance is installed it is easily accessible for the engineer in the event of a breakdown.

YOUR APPLIANCE



- 1. Freezer Compartment
- 2. Thermostat Control
- 3. Storage Shelves
- 4. Glass Shelf

- 5. Salad Drawer
- 6. Dairy Compartment
- 7. Storage shelf
- 8. Bottle Storage Shelf

The adjustable shelving

The shelving in your appliance is adjustable, enabling more effective use of space.

How to use the temperature control

The temperature control dial is marked from 0-5, the higher the number, the colder the setting. Position (0) is OFF. The temperature within your fridge will be affected by such factors as location, room temperature, frequency of door opening and frequency of defrosting.

In determining the correct temperature control setting, all these factors have to be considered and some experimentation may be necessary to achieve the most economic operation.

As a guide, in a normal kitchen temperature, a control setting of number 3 or 4 will apply.

Defrost tray (160 RE)

The inner temperature is not only affected by using the temperature control knob but by the frequency of defrosting, and the position of the defrost tray, (See Fig 7).

To obtain a lower temperature in the two star compartment (when frozen food is stored inside and when the ambient temperature is lower than 25°C) slightly raise the defrost tray and push it all the way in.

When frozen food is not stored in the two star compartment or when the ambient temperature is higher than 25°C return the defrost tray to its initial position. This reduces the temperature in the refrigerator compartment.

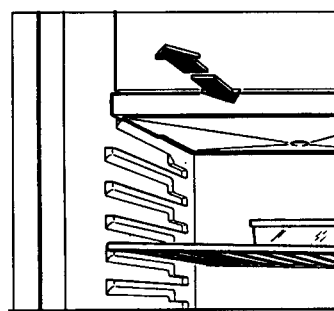


FIG 7

Defrosting Larder Model 160LE

The defrosting of the evaporator plate on the rear wall of the inside cabinet is automatic. The defrost water runs through the collecting channel on the back wall of the cabinet into the collecting tray on top of the compressor. The heat generated by the compressor evaporates the defrost water.

Defrosting Refrigerator Model 160RE

It is important to remove frost from the frozen food compartment regularly, whenever the thickness of the frost exceeds 1/4" thick or on a fortnightly basis.

To carry out complete defrosting proceed as follows:

- Remove the drain stopper from the defrost tray.
- Place a bowl on the upper shelf of the refrigerator under the drain hole of the defrost tray.
- Remove any food from inside the frozen food compartment, wrap it in several sheets of newspaper and store in a cool dry place.
- Push the button in the centre of the thermostat knob.
- To accelerate defrosting, place a bowl of hot water (not boiling) inside the compartment (with a piece of cardboard underneath the bowl as protection). **Do not attempt to chip or scrape ice from the surface in an attempt to speed up defrosting.**
- When defrosting is complete, dry thoroughly and remove the water collected in the bowl.

The refrigerator will start operating automatically following defrosting.

Allow the appliance to run for at least half an hour, and replace the food into the frozen food compartment.

When defrosting it is not necessary to remove the foods from the inner door or refrigerator compartment.

Important

A temperature rise of the frozen food packs during defrosting may shorten their storage life.

Never use sharp metal tools to scrap off frost as you may cause irreparable damage to the appliance.

Frozen Food Compartment (160RE)

This compartment is suitable for the storage of commercially frozen food and for ice cube making.

Frozen Food Storage

Frozen food should be placed in the frozen food compartment as soon as possible after purchase, and stored in accordance with instructions provided on the package by the frozen food manufacturer. Storage times should not be exceeded.

Ensure that the external packaging is intact.

Packaging which is swollen or has traces of refrozen water droplets on the pack could indicate that the product has not been kept at a suitable temperature and may have lost its original quality. Partially thawed food must not be refrozen.

Do not open the compartment door too often and do not leave open longer than necessary.

Thawing

Food can be thawed in a number of ways, depending on the type of food and the size of the packs.

Meat, fish and fruit should be thawed in the refrigeration compartment.

Vegetables should be directly immersed in boiling water; ready-cooked dishes can be placed directly in the oven in their aluminium wrapping.

A microwave oven is particularly suitable for thawing any type of frozen or deep-frozen food; follow the oven instructions, with particular regard to the placement of aluminium wrapping in the oven.

Important

Do not consume ice-lollies which have just come out of the frozen food compartment. Their extremely low temperature can cause frost burns.

Do not remove items from the compartment if your hand are damp/wet, as this could cause skin abrasions or "frost/freezer burns".

Do not keep carbonated or fizzy drinks in the freezer.

Caution

In the event of a power cut the food in the frozen food compartment will not be affected if the power cut is short and if the compartment is full. Do not open the door. Should the food begin to thaw, it must be consumed quickly and must not be re-frozen.

HEALTH & SAFETY GUIDELINES

Because of consumer demand, preservatives have been removed from many pre-prepared foods. This, together with the changes in shopping habits to a once-a-week shop, mean that safe handling and storage of food is more important than ever.

The following tips should help you to ensure that the food in your home is in as perfect condition as possible.

- Keep the time between buying chilled food and placing it in your fridge as short as possible. Tests showed that the temperature of 1 litre of orange juice rose to 22°C in an hour between the supermarket and home. It then took 11 hours to get down to 7°C in the refrigerator.
- Keep the refrigerator door closed as much as possible. Remember that warm air is flowing in as you are deciding what to have for tea!
- Do not push food together too much, try to allow air to circulate round each item.
- Cool cooked food as quickly as possible but do NOT place in the fridge until cool.
- Do not store food uncovered.
- The safest way to defrost food is to put it in the refrigerator to thaw slowly.
- It is important that food is used before its "best before" date.
- Ensure that food placed in the freezer is dated and labelled and used in date order to ensure that food is consumed at its best
- Always wash your hands in soapy water and dry them with a clean towel before handling food.
- Keep work surfaces clean and avoid cross-contamination by not using the same work surface or knife, without washing them thoroughly.
- Use kitchen roll wherever possible for cleaning up food. If you use a dishcloth, be sure to boil it frequently.

SOME SIMPLE DO'S AND DON'TS

- DO connect the appliance to an electricity point which is not liable to be switched off accidentally.
- DO follow the instructions given on the operation of the temperature control to ensure efficient operation.
- DO wrap and cover foods for perfect storage.
- DO ensure that when the fridge is to be out of service for some time, that the interior is carefully cleaned, dried, the door left ajar and the plug is removed from the electrical supply socket.
- DO NOT open the door more often or for longer than is necessary, as this allows a temperature rise and also causes a rapid build-up of frost.
- DO NOT prevent the free passage of air to the back of the fridge.
- DO NOT turn the current off at the mains if you intend to leave the fridge in use whilst on holiday.
- DO NOT overload the interior. To do so will restrict the circulation of cooled air currents, which are necessary to help maintain the correct storage temperature conditions. This does not apply to the frozen food packages stored in the frozen food compartment, these can be packed closely together.

MAINTENANCE AND CLEANING

Before any maintenance or cleaning is carried out, DISCONNECT the appliance from the ELECTRICITY supply.

Interior Cleaning

All parts of the interior should be wiped with a soft cloth, warm water and bicarbonate of soda (5 ml to 0.5 litre of water). Rinse and dry thoroughly.

Ensure that no moisture runs down behind the thermostat control.

Never use DETERGENTS, ABRASIVE POWDERS, HIGHLY PERFUMED CLEANING PRODUCTS OR WAX POLISHES, TO CLEAN THE INTERIOR AS THESE WILL DAMAGE THE SURFACE AND LEAVE A STRONG SMELL.

Clean the drain hole and the water trough of defrost water at regular intervals, and make sure that the drain hole is never obstructed, so that the defrost water can flow freely. (160 LE only)

Exterior Cleaning

Wash the outer cabinet with warm soapy water. Do NOT use abrasive products.

Once or twice a year dust the condenser (Black grill) and the compressor at the back of the appliance, with a brush or vacuum cleaner, as an accumulation of dust will affect the performance of the appliance and cause excessive electricity consumption.

You MUST ensure the appliance is switched OFF.

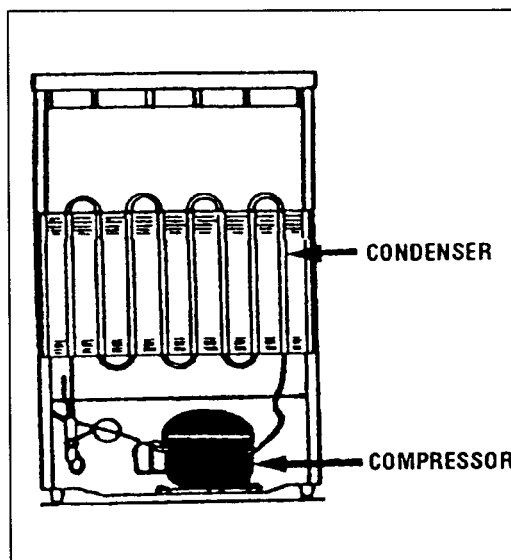


FIG 8

When the appliance is not in use

When the appliance is not in use for long periods, disconnect from the electricity supply, empty all foods and clean the appliance, leaving the door ajar to prevent unpleasant smells.

Replacing the light bulb

Should the interior light fail to work, first switch off the appliance and pull out the mains plug.

Unclip the bulb cover in the direction of the lower arrow and lift off in the direction of the upper arrow. (See Fig.9)

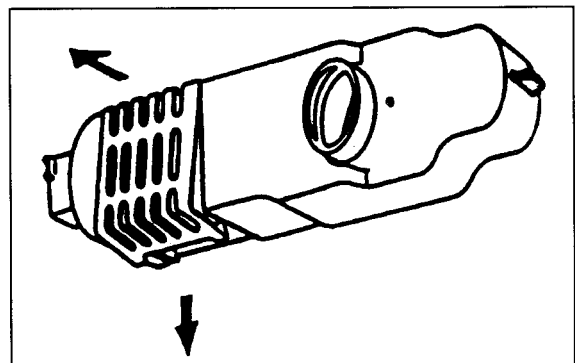


FIG 9

Unscrew the bulb and replace it with a new 15 watt bulb available from your nearest Onyx Service Centre. Replace the cover.

Do not operate the appliance without the bulb cover, as the bulb may be damaged.

Replace the plug and switch on.

Before contacting your local Service Centre, please make the following checks:

BEFORE CALLING FOR SERVICE

The appliance does not work...

Check that:

- There is power at the socket.
- Ensure that there is not a power cut by checking the household lights.
- The fuse has not blown.
- The air circulation passages are not covered.
- The thermostat dial is in the correct position.

Vibration or abnormal noises...

- You may hear faint gurgling or bubbling sounds when the refrigerant is pumped through the coils of tubing at the rear, to the cooling late/evaporator. When the compressor is on, the refrigerant is being pumped round, and you will hear a whirring or pulsating noise from the compressor.
- A thermostat controls the compressor, and you will hear a faint "click" when the thermostat cuts in and out.

The light does not come on..

Check that:

- The bulb is fitted correctly.
- Replace the bulb if it has blown.

Other points to check...

Check that:

- Have you turned the thermostat to the correct setting?
- Has the door been left open causing the temperature to rise?

Onyx have an agreement with Tricity Bendix who will undertake any in-guarantee service. If after carrying out the necessary checks the fault remains call your local Tricity Bendix Service Centre. A list of Service Centre names and addressees can be found on the following pages.

Please ensure you have the model number and proof of purchase when arranging a Service call.

In-guarantee customers should ensure that the above checks have been made as the engineer will make a charge if the fault is not a mechanical or electrical breakdown.

Please note that proof of purchase is required for any in-guarantee service calls.

ONYX GUARANTEE CONDITIONS

Onyx guarantee conditions

We, Onyx undertake that if, within twelve months of the date of the purchase, this ONYX appliance or any part thereof is proved to be defective by reason only of faulty workmanship or materials, the company will, at its option, repair or replace the same **FREE OF ANY CHARGE** for labour, materials or carriage on condition that:

- The appliance has been correctly installed and used only on the electricity supply stated on the rating plate.
- The appliance has been used for normal domestic purposes only, and in accordance with the manufacturer's operating and maintenance instructions.
- The appliance has not been serviced, maintained, repaired, taken apart or tampered with by any person not authorised by us.
- All service work under this guarantee must be undertaken by an authorised Service Centre.
- Any appliance or defective part replaced shall become the property of this company.

This guarantee is in addition to your statutory and other legal rights.

Home visits are made between **8:30am** and **5:30pm** Monday to Friday. Visits may be available outside these hours in which case a **premium will be charged**.

Exclusions

This guarantee does not cover:

- Damage or calls resulting from transportation, improper use or neglect, the replacement of any light bulbs or removable parts of glass or plastic.
- Costs incurred for calls to put right machines improperly installed or calls to machines outside the United Kingdom.
- Appliances found to be in use within a commercial environment, plus those which are subject to rental agreements.
- Products of Onyx manufacture which are **NOT** marketed by Onyx.

EU Countries - The standard guarantee is applicable but is subject to the owner's responsibility and cost to ensure the appliance meets the standards set by the country to which the product is taken. The Onyx Company in the country concerned will be pleased to advise further. Sight of your purchase receipt will be required by them.

To contact your local Tricity Bendix Service Centre telephone **0870 5 929 929**

CHANNEL ISLANDS

GUERNSEY	Guernsey Electricity PO Box 4 Vale, Guernsey Channel Islands
JERSEY	Jersey Electricity Company PO Box 45 Queens Road St Helier Jersey Channel Islands JE4 8NY

SCOTLAND

ABERDEEN (M05)	54 Claremont Street Aberdeen AB10 6RA
AUCHTERMUCHY (M03)	33A Burnside Auchtermuchy Fife KY14 7AJ
BLANTYRE (M07)	Unit 5 Block 2 Auchenraith Ind Estate Rosendale Way Blantyre G72 0NJ
DUMFRIES (M01)	93 Irish Street Dumfries Scotland DG1 2PQ
DUNOON (M67)	Briar Hill 7 Hill Street, Dunoon Argyll PA23 7AL
GLASGOW (M04)	20 Cunningham Road Clyde Estate Rutherglen, Glasgow, G73 1PP
INVERNESS (M06)	Unit 3B Smithton Indust. Est. Smithton Inverness IV1 AJ
ISLE OF ARRAN (OWN SALES)	Arran Domestics Unit 4 The Douglas Centre Brodick Isle of Arran KA27 8AJ
ISLE OF BARRA (OWN SALES)	J Zerfah 244 Bruernish Isle of Barra Western Islands HS9 5QY
ISLE OF BUTE (M66)	Walker Engineering Glennhor Upper Serpentine Road Rothesay Isle of Bute PA20 9EH
ISLE OF LEWIS (M69)	ND Macleod 16 James Street Stomoway Isle of Lewis PA87 2QW

KELSO (M08)	2-8 Wood Market Kelso Borders TD5 7AX
ORKNEY (M65)	Corsie Domestics 7 King Street Kirkwall Orkney KW15
PERTH	Hydro Electric Inveralmond House Ruthvenfield Road Perth PH1 3AQ
PERTH (OWN SALES)	Graham Begg Unit 4 Airport Industrial Estate Wick KW1 4QS
SHETLAND (OWN SALES)	Tait Electronic Systems Ltd. Holmsgarth Road Lerwick Shetland ZE1 0PW
SHETLAND (OWN SALES)	Bolts Shetland Ltd 26 North Road Lerwick Shetland ZE1 0PE
WHALSAY (OWN SALES)	Leask Electrical Harlsdale Symbister, Whalsay Shetland ZE2 9AA

NORTHERN IRELAND

BELFAST (M27)	Owenmore House Kilwee Business Park Upper Dunmury Lane Belfast BT17 0HD
------------------	---

WALES

CARDIFF (M28)	Guardian Industrial Estate Clydesmuir Road Tremorfa, Cardiff CF2 2QS
CLYWD (M14)	Unit 6-7 Coed - Parc Abergele Road Rhuddlan Clwyd Wales LL18 5UG
DYFED (M77)	Maes Y Coen High Mead Llanybydder Dyfed SA40 9UL
HAVERFORDWEST (M75)	Cromlech Lodge Amerlston Haverfordwest SA62 5DS
OSWESTRY (M17)	Plas Flynnon Warehouse Middleton Road Oswestry SY11 2PP

NORTH EAST

GATESHEAD (M39)	Unit 356a Dukesway Court Dukesway Team Valley Gateshead NE11 0BH
GRIMSBY (M42)	15 Hainton Avenue Grimsby South Humberside DN32 9AS
HULL (M41)	Unit 1 Boulevard Industrial Estate Hull HU3 4AY
LEEDS (M37)	64-66 Cross Gates Road Leeds LS15 7NN
NEWTON AYCLIFFE (M45)	Unit 16 Gurney Way Aycliffe Ind Estate Newton Aycliffe DL5 6UJ
SHEFFIELD (M38)	Pennine House Roman Ridge Ind. Roman Ridge Road Sheffield S9 1GB

NORTH WEST

BIRKENHEAD (M11)	1 Kelvin Park Dock Road Birkenhead L41 1LT
CARLISLE (M10)	Unit 7 James Street Workshops James Street Carlisle Cumbria CA2 5AH
ISLE OF MAN (M64)	South Quay Ind Estate Douglas Isle of Man
LIVERPOOL (M15)	Unit 1 Honeys Green Precinct Honeys Green Lane Liverpool L12 9JH
MANCHESTER (M09)	Unit B Central Industrial Estate St Marks Street Bolton BL3 6NR
PRESTON (M13)	Unit 250 Dawson Place Walton Summit Bamber Bridge Preston Lancashire PR5 8AL
STOCKPORT (M16)	Unit 20 Haigh Park Haigh Avenue Stockport SK4 1QR

To contact your local Tricity Bendix Service Centre telephone **0870 5 929 929**

MIDLANDS

BIRMINGHAM (M18)	66 Birch Road East, Wyrley Road Industrial Estate Witton Birmingham B6 7DB
BOURNE (M44)	Manning Road Ind Estate Pinfold Road Bourne PE10 9HT
BRIDGNORTH (M72)	1 Underhill Street Bridgnorth Salop WV16 4BB
GLOUCESTER (M23)	101 Rycroft Street Gloucester GL1 4NB
HEREFORD (M31)	Unit 3 Bank Buildings Cattle Market Hereford HE4 9HX
HIGHAM FERRERS (M51)	30 High Street Higham Ferrers Northants NN10 8BB
ILKESTON (M43)	Unit 2 Furnace Road Ilkeston DE7 5EP
LEICESTER (M22)	Unit 7 Oaks Industrial Estate Coventry Road Narborough Leicestershire LE0 5GF
LINCOLN (M40)	Unit 8 Stonefield Park Clifton Street Lincoln LN5 8AA
NEWCASTLE UNDER LYME (M12)	18-21 Croft Road Brampton Industrial Estate Newcastle under Lyme Staffordshire ST5 0TW
NUNEATON (M21)	19 Ptarmigan Place Townsend Drive Nuneaton CV11 6RX
REDDITCH (M20)	13 Thornhill Road North Moons Moat Redditch Worcestershire B98 9ND
TAMWORTH (M19)	Unit 3 Sterling Park Claymore Tamworth B77 5DO
WORCESTER (M73)	Unit 1 Northbrook Close Gregorys Mill Ind Estate Worcester WR3 8BP

LONDON & EAST ANGLIA

BECKENHAM (M79)	11a Gardener Indust Estate Kent House Lane Beckenham Kent BR3 1QZ
CHELMSFORD (M47)	Hanbury Road Widford Ind Estate Chelmsford Essex CM12 3AE
COLINDALE (M53)	Unit 14 Capitol Park Capitol Way Colindale London NW9 0EQ
ELTHAM (M78)	194 Court Road Mottingham Eltham London SE9 4EW
ENFIELD (M49)	284 Alma Road Enfield London EN3 7BB
GRAVESEND (M57)	Unit B4, Imperial Business Estate Gravesend Kent DA11 0DL
HARPENDEN (M46)	Unit 4 Riverside Estate Coldharbour Lane Harpenden AL5 4UN
LETCHWORTH (M50)	16-17 Woodside Ind Est. Works Road Letchworth Herts SG6 1LA
LONDON (M76)	2/4 Royal Lane Yiewsley West Drayton Middlesex UB7 8DL
MAIDENHEAD (M60)	Reform Road Maidenhead Berkshire SL6 8BY
MOLESEY (M61)	10 Island Farm Avenue West Molesey Surrey KT8 2UZ
NEWBURY (M24)	PO Box 5627 Newbury Berkshire RG14 5GF
IPSWICH (M48)	Unit 2B Elton Park Business Centre Hadleigh Road Ipswich IP2 0DD
NORWICH (M52)	2b Trafalgar Street Norwich NR1 3HN
SUNBURY (M63)	Unit 1a The Summit Hanworth Road Hanworth Ind Estate Sunbury on Thames TW16 5D

SOUTH EAST

ASHFORD (M58)	Unit 2 Bridge Road Business Estate Bridge Road Ashford Kent TN2 1BB
FLEET (M59)	Unit 1 Redfields Industrial Estate Church Crookham Fleet Hampshire GU13 0RD
HAYWARDS HEATH (M55)	21-25 Bridge Road Haywards Heath Sussex RH16 1UA
TONBRIDGE (M56)	Unit 30 Deacon Trading Estate Morley Road Tonbridge Kent TN9 1RA

SOUTH WEST

BARNSTAPLE (M30)	P.O. Box 12 Barnstaple North Devon EX31 2YB
BOURNEMOUTH (M26)	63-65 Curzon Road Bournemouth Dorset BH1 4PW
BRIDGEWATER (M35)	6 Hamp Industrial Estate Bridgewater Somerset TA6 3NT
BRISTOL (M25)	11 Eldon Way Eldonwall Trading Bristol Avon BS4 3QQ
EMSWORTH (M33)	266 Main Road Southbourne Emsworth PO10 8JL
ISLE OF WIGHT (M34)	Unit 8 Enterprise Court Ryde Business Park Ryde Isle of Wight PO33 1DB
NEWTON ABBOT (M29)	Unit 2 Zealley Industrial Estate Kingsteignton Newton Abbot S. Devon TQ12 3TD
PLYMOUTH (M32)	16 Faraday Mill Cattedown Plymouth PL4 0ST
REDRUTH (M36)	Unit 7D Pool Industrial Estate Wilson Way, Redruth, Cornwall TR15 3QW

