

The new **BENDIX** autowasher



Model 7129

Made in Italy

Connecting to Power

The model number, voltage B.E.A.B. approval mark and other rating details are on the inside of the drain screen cover at the lower front right hand corner of the machine.

Ensure that the voltage marked on the rating plate is the same as your mains supply and the frequency is 50Hz. If you are not sure of your mains voltage, you can obtain the information from your local dealer or Electricity Board shops.

WARNING: THIS APPLIANCE MUST BE EARTHED.

IMPORTANT The wires in the mains cord (supplied with this appliance) are coloured in accordance with the following code:-

GREEN AND YELLOW	Earth
BLUE	Neutral
BROWN	Live

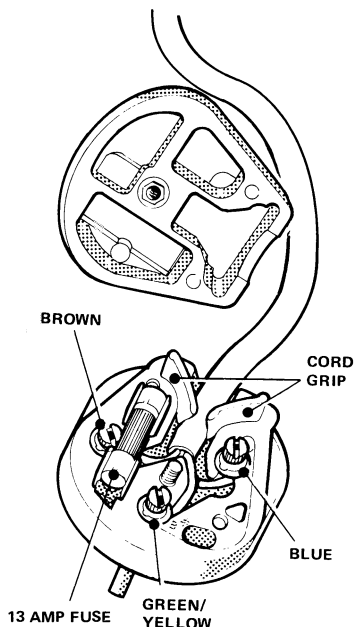
As the colours of the wires in the mains cord of this appliance may not correspond with the coloured markings identifying the terminals in your plug, proceed as follows:

The wire which is coloured green-and-yellow must be connected to the terminal in the plug which is marked with the letter 'E' or by the 'Earth' symbol \equiv or coloured green or green-and-yellow.

The wire which is coloured blue must be connected to the terminal which is marked with the letter 'N' or coloured black.

The wire which is coloured brown must be connected to the terminal which is marked with the letter 'L' or coloured red.

If a BS 1363 plug is used a 13 amp fuse must be fitted, or if any other type of plug is used, a 15 amp fuse must be fitted either to the plug or adaptor at the distribution board.



The new **BENDIX** autowasher



You are now the proud owner of a Bendix Auto-washer, you will be pleased to find that it washes rinses and spins without you having to handle the clothes in between times.

You will obviously want to obtain the best possible wash, by reading and following the instructions in this booklet you will achieve excellent results.

Please ensure that the Installation Instructions supplied have been followed.

If you should need any further advice or assistance please contact the Bendix agent from who your machine was purchased or your nearest Bendix Service Depot.

Specification:

Dimensions:

Height 33 ½ ins
Width 24 ins
Depth 19 ¾ ins
Weight 158 ½ lbs

Capacity and Performance Features:

(850 mm) Dry Laundry Maximum 10lb (4.5 kg)
(610 mm) Water level: 4.2 gallons (19 litres)
(500 mm) Water Supply: Hot and Cold (or Cold only)
(72 kg) Cylinder Volume 1.6 cu. ft (45.3 litres)

Know your BENDIX Autowasher

Washer Timer Dial/Programme Selector
Use this to select the wash programme required. Pull this control out to start the machine, push in to stop it. Once set and pulled out the Wash Timer Dial/Programme Selector rotates and shows how far through the wash programme your machine has progressed.

A useful guide for matching fabrics to wash programme can be seen on the fascia panel and again on pages 10 and 11.

Detergent Dispenser - The detergent dispenser is designed so that detergents and additives will flush easily into your machine. It is divided into three compartments "A" for pre-wash or Bio powders, "B" for main wash powders and "C" for additives i.e. fabric softeners such as Comfort or Lenor. At the end of the wash programme, press the button in the additives compartment to release the water remaining and to leave the machine ready for the next wash.

NOTE: The detergent dispenser drawer and housing should be cleaned to prevent a build up of detergent and fabric softener. The dispenser drawer is easily removed by pressing the drawer release catch on the roof of the opening whilst gently pulling out the drawer. Rinse the dispenser drawer under the tap, dry and replace by inserting in the housing and pushing home.

Mains Indicator Light - Glows when power is on to the machine.

Drain Screen - The removable drain screen which protects the pump from lint and foreign matter needs to be cleaned periodically. How often will depend on your wash load e.g. cotton towels and nappies cause more lint to collect than nylon loads. First ensure that your machine is empty. Open the service door by pressing on the left hand side.

Unscrew the bayonet fixing (anticlockwise) and pull the drain screen out. Have a cloth or shallow tray under the drain screen housing, as a small quantity of water may run out. Clean the screen under running water to help remove the trapped lint. Replace the screen by sliding back into the housing.

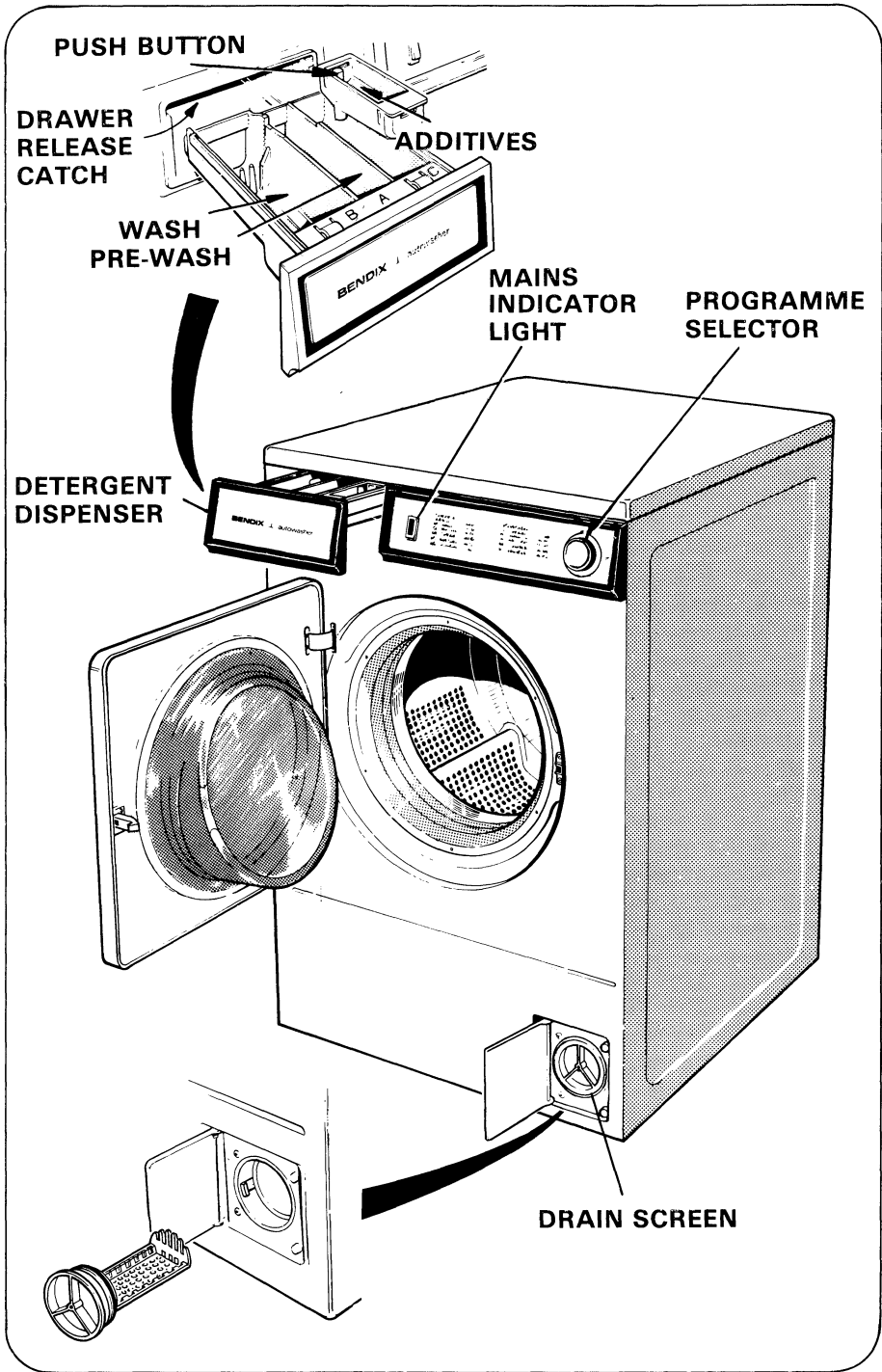
Lastly tighten the bayonet fixing until the screen is secure.

Drain Hose - Make sure that this is not kinked or the machine will not drain.

Hot and Cold Fill Hoses - Ensure that these are not kinked.

Adjustable Feet - Check that your machine is level by adjusting the feet. See the installation instructions for further details.

Transit Brackets - (as shown in the installation instructions). These must be removed before use.



Always use a low sudsing detergent in your machine, e.g. Bold, Persil Automatic as these are specially formulated to work in conjunction with your Auto Washer machine to give the best results.

Detergents will be flushed automatically into the machine by means of the detergent dispenser. The suds level should never rise more than halfway up the door. Too much foam will not only impede the wash action of your machine but will rise through the detergent dispenser and possibly out of the overflow pipe at the back of the machine, so making a mess on the floor!

If this should happen clear excessive suds by setting the Wash Timer Dial/Programme Selector to the beginning of the first rinse - Setting G, and allow the machine to rinse out.

The following quantities of powder are a guide for average water supplies. If the water is very hard more powder may be needed. If very soft less will be needed. If you are in doubt refer to the instructions on the packet.

If you have a more heavily soiled load and decide to use the pre-wash before a main wash, use approximately one third of the powder in the pre-wash compartment (A) of the dispenser and the remaining two thirds in the main wash (B) compartment.

Pre-wash	main-wash
2 ½ oz	5 ½ oz
(75g)	(160g)

Note: an average teacup holds 2 ½-3 oz (75-90g)

All fabrics particularly towels and nappies benefit from the use of fabric conditioners in the final rinse. Items of laundry feel softer, are more easily ironed and the clinging effect of nylon is considerably reduced.

Pour the recommended quantity according to the label on the bottle into the 'Additives' compartment (C) of the detergent dispenser.

When adding the detergents it will automatically be injected into the machine during the final rinse.

Nowadays many garments carry a label under the International Care Labelling scheme indicating the correct type of wash treatment required. You will find that this label corresponds to the Wash Chart on Pages 10 and 11.

Sort your washing according to the Care Label number given on the garment or if absent, according to the fabric and type of wash treatment required.

Your Bendix Autowasher takes up to 10lbs (4.5 kg) dry weight of clothes.

If you decide for one reason or another to mix fabrics, always use the wash programme for the most delicate fabric in the load. For example a wash load made up with fabrics from the wash groups 1 (C) and 2 (D) should be washed on 2 (D) similarly a wash load with fabrics from 3 (L) and 4 (M) should be washed on 4 (M) etc. White nylon, and delicate items i.e. programmes 3 (L), 4 (M), 6 (N) should be washed separately.

Make sure that the pockets have been emptied, zips fastened and apron strings tied. Remove pins and other small objects which could harm clothes if they become separated in the machine.

If possible make up loads of similar soiling keeping heavily soiled items separate from lightly soiled clothes. Heavily soiled parts such as shirt cuffs and collars should be pre-treated by brushing with a solution made of detergent and water; this should be applied lightly to the right side of the garment.

Most household stains come out in the normal wash, but there are some which require special treatment. The following hints may help with common stains.

When using a stain remover or bleach follow the makers directions carefully. Never use full strength bleach on any fabrics.

Rinse thoroughly after any special treatment. Chemicals left in fabrics can weaken or destroy some fibres. Test fabrics for possible damage to fibres or colour before tackling the stained area.

Stains

Coffee, Tea, Fruit Wine

These are usually removed in the wash; for old stains soak in a biological wash product, then launder in the usual way.

Do not soak wool, silk and fabrics with flame resistant finishes or non-colourfast articles. Also some articles with metal fasteners maybe unsuitable for soaking.

Grass, Ink, Ballpoint

Dab with methylated spirits over a soft cotton pad, then launder in the usual way.

Do not use methylated spirits on Tricel. Treat INK stains on Tricel with Glycerine.

Tar

Scrape off excess, dab with petrol, or lighter fuel over a soft cotton pad. (Caution, petrol is inflammable)

Scorch

Moisten light stains and soak in glycerine then wash.

If stains remain, soak in one part hydrogen peroxide to nine parts water; wash through and rinse thoroughly.

Lipstick

Treat as a grease stain.

Iron Mould

Soak light stains in lemon juice, press between pieces of damp cotton, repeat if necessary. For stains on cotton and linen use oxalic acid with caution ($\frac{1}{2}$ teaspoon in $\frac{1}{2}$ pint/0.28 litres hot water). If fabric is coloured test first. On silk and wool use a weak solution of hydrochloric acid then rinse well and wash. Proprietary iron mould stain removers may also be used. Wash immediately after use.

Grease, Fat

Treat with a proprietary grease solvent.

**Blood, Egg
Milk, Cream,
Meat Juice
Mildew**

Soak in biological solution, then launder in the usual way.

Soak white cottons and linens in 1 part chlorine bleach to 100 parts water. Treat other white fabrics with peroxide. Soak (using one part hydrogen peroxide (20 vol) to four parts water), rinse well. Care must be taken with coloured fabrics.

Before washing your coloured garments - check that the colours are fast!!





Usually it is recommended that coloureds be washed separately from whites, but some fast dyed items i.e. sheets, towels can safely be washed together with your family household linen.




Non-fast coloured articles should be washed at the recommended temperature.

Guide to wash load weights

Regular Wash	Sheet .. Cotton (D)	2 ½ lbs	1.1Kg	
	(S)	1 ½ lbs.	670g	
	Other than cotton (D)	1 ½ lbs.	670g	
	(S)	1 ¼ lbs.	560g	
	Cot Sheet	6 oz.	170g	
	Pillowslips Cotton	4oz.	113g	
	Others	3 oz.	85g	
	Bath Towel	1 ½ lbs.	670g	
	Hand Towel	9 ozs.	255g	
	Tablecloth Small	8 ozs.	227g	
	Large	1 ½ lbs.	670g	
	4 table napkins	6 ozs.	170g	
	Personal	Shirt ...Cotton	10 ozs	283g
		Others	7 ozs.	198g
Blouse ... Cotton		5 ozs.	142g	
Others		4 ozs.	113g	
Cotton Vest		4 ozs.	113g	
Underslip		4 ozs.	113g	
Panties		2 ozs.	56g	
Bras		1 oz	28g	
Pyjamas		12 ozs	340g	
Nightdress		5 ozs.	142g	
Socks ...Long 2 prs		6 ozs.	170g	
Short 2 prs		3 ozs.	85g	
6 hankies		3 ozs.	85g	
1 doz Nappies		2 ½ lbs.	1.1Kg	
Special Wash	Candlewick Bedspread			
	Double	7 lbs	3.18Kg	
	Single	5 lbs.	2.27Kg	
	Blanket ... Wool	4 ¼ lbs.	2Kg	
	Acrylic	3 ¾ lbs.	1.5Kg	
	Dress ... Cotton	12 ozs.	340g	
	Others	12 ozs.	340g	
	Sweater ... Wool	14 ozs.	400g	
	Others ... Heavy	12 ozs.	340g	
	Light-weight	6 ozs.	170g	
	Crimplene Suit			
	H/W	3 lbs.	1.36Kg	
	Lightweight	2 lbs.	910g	
Skirt	7 ozs.	198g		

BENDIX AUTOWASHER PROGRAMME CHART

PRO-GRAMME	FABRIC	CARE LABEL	WASH TYPE	NUMBER OF RINSES	RINSE AND HOLD	SPIN	WASH LOAD	NOTES
A	White and fast coloured, natural and synthetic fabrics		Bio-Pre-wash 50°C		No	Short 2 mins	10lb 4.5Kg	Use for removal of bio stains, blood, gravy, egg etc.
B	White and fast coloured, natural and synthetic fabrics.		Pre-wash 40°C		No	Short 2 mins	10 lb 4.5 Kg	Use for heavily soiled wash load.
C	White cotton and linen articles without special finishes.		Maximum Wash 95°C	3	No	standard 4 mins	10lb 4.5Kg	A very high temperature vigorous wash which allows oxygen bleaches to work to the maximum advantage keeping whites white. There is thorough rinsing and a standard spin.
D	Cotton, linen and rayon articles without special finishes where colours are fast at 60°C.		Maximum Wash 60°C	3	No	standard 4 mins	10 lb 4,5 Kg	A hot wash with a vigorous wash action to keep colours bright and fresh looking. Thorough rinsing and a standard spin.
E	Cotton, linen or modal (formerly rayon) articles without special finishes where colours are fast at 40°C but not at 60°C		Medium Wash 40°C	3	No	standard 4 mins	10 lb 4,5 Kg	A warm wash with moderate wash action to help prevent transfer of colour from non-fast coloureds.
F	Wool including blankets and wool mixtures with cotton or modal (formerly rayon) silk		Minimum Wash 40°C	3	No	standard 4 mins	3 1/2 lb 1.5Kg	A warm wash with gentle wash action just right for woollens.
G			Rinses	3	No	standard 4 mins		
H			Condition/Rinse	1	No	standard 4 mins		
J			Spin		No	standard 4 mins		

PRO-GRAMME	FABRIC	CARE LABEL	WASH TYPE	NUMBER OF RINSES	RINSE AND HOLD	SPIN	WASH LOAD	NOTES
K	White and fast coloured synthetic fabrics		pre-wash 40°C		No	short 2 mins	4½ lb 2.03 Kg	
L	White nylon: white polyester /cotton mixtures		Medium Wash 60°C	3	Yes	short 2 mins	4½ lb 2.03 Kg	Always wash white synthetics separately, as they pick up the dyes from coloured synthetics so becoming drab looking. The clothes are left in water after the final rinse. Advance the Wash Timer Dial/Programme Selector to 'S' to complete the programme.
M	Coloured nylon polyester cotton and modal (formerly rayon) articles with special finishes; acrylic/cotton mixtures coloured polyester/cotton mixtures		Medium Wash 50°C	3	Yes	short 2 mins	4½ lb 2.03 Kg	A warm wash to preserve the appearance of coloured synthetics. The clothes are left in water after the final rinse. Advance the Wash Timer Dial/Programme Selector to 'S' to complete the programme.
N	Acrylics, acetate and triacetate including mixtures with wool/polyester wool blends.		Minimum Wash 40°C	3	Yes	short 2 mins	4½ lb 2.03Kg	A warm wash to care for delicate fabrics. The clothes are left in water after the final rinse. Advance the Wash Timer Dial/Programme Selector to 'S' to complete the programme.
P			Rinse	3	Yes	short 2 mins		
R			Condition/ Rinse	1	Yes	short 2 mins		
S			Spin			short 2 mins		

Loading the Cylinder

When you have a large wash load made up of shirts, towels, pillowcases, pyjamas and other similar small items, pack them loosely into the cylinder. When laundering single large items eg. bedspreads, it is advisable to include a couple of smaller items such as tea-towels in the drum so that better distribution of clothes in the cylinder is achieved thus reducing vibration when spinning.

When washing a mixed load put large and small items into the cylinder alternately. A sheet should be picked up by the centre, tentwise, shaken and then folded, pressing out the air.

Wash Programme

The choice of programme on your machine enables you to select the best programme for your wash load. The programmes on the Wash Timer Dial/Programme Selector correspond to the Care Labelling Code of the International Care Labelling Scheme. See Chart on Pages 10 and 11.

Bio Wash

It could be that you have items of laundry which would benefit from a Bio-wash, i.e. blood, gravy, egg stains etc. Follow the above procedure, making sure that the low suds bio detergent goes into the pre-wash compartment of the soap dispenser. Select the required programme and start the machine by pulling the Wash Timer Dial/Programme Selector out.

The machine will now automatically heat the water to 47°C approx. The correct temperature for the Bio-detergent to function. During this time your clothes are tumbled clockwise and anti-clockwise with pauses in between to help loosen and disperse the soil present.

The Biological wash and soak will take approximately half an hour, after which time your machine will stop - at this point the door may be opened and further garments added for the main wash.

Pre-wash

On more heavily soiled wash loads a pre-wash will help to obtain a better wash. It will disperse any superficial dirt and help loosen soil ready for the main wash. It can be used in conjunction with most wash programmes - synthetics as well as natural fibres.

To obtain a Pre-wash load the machine place the correct quantity, see page 7, of low suds detergent in both the pre-wash and main wash sections of the soap dispenser. Select the required Pre-wash and start the machine by pulling out the Wash Timer Dial/Pro-

gramme Selector. Once set the machine will automatically heat the Pre-wash water to 40°C, pre-wash, drain spin and stop. The Pre-wash takes approx. 17 mins.

Main Wash

To start the machine without a Bio-wash or Pre-wash ensure that the Wash Timer Dial/Programme Selector is turned to the desired programme (see chart on pages 10 and 11) and the correct quantity of low suds detergent is in the main wash compartment of the detergent dispenser. Start the machine by pulling the Wash Timer Dial/Programme Selector out.

Woollens Wash

Your Bendix Auto-washer has a programme for woollen articles which has been approved by the International Wool Secretariat

Turn the Wash Timer Dial/Programme Selector to 'F' - the programme for woollens. Don't wash woollens in your Bendix unless the garment has been labelled 'machine washable'. This means that it has been especially treated to minimise shrinkage however, it is advantageous to spin the woollen articles, that have been washed and rinsed by hand as this removes most of the excess water. Set the Wash Timer Dial/Programme Selector to 'J'.

Dry woollens carefully to help preserve their texture and shape.

After spinning remove from the cylinder carefully, pull into shape and dry flat if possible avoiding direct heat.

Do not be tempted to put woollen garments into the tumble drier.

Blankets

Blankets that are labelled 'machine washable' can be safely washed on Programme 'F'. Most blanket manufacturers issue specific treatments for their products. Sometimes they will stipulate hand-washing or dry cleaning.

This particularly applies to wool cellular and honeycomb blankets which should not be machine washed.

Rinsing

All wash cycles automatically include 3 rinses and the programmes for natural fibres continues on to spin automatically. It is during the last of the 3 rinses that any additives e.g. fabric softener are taken into the machine.

The 3 programmes for synthetics and delicate

fabrics (see pages 10 and 11) have a 'rinse and hold' feature, giving the 3 rinses and retaining the last rinsing water. This feature prevents excess creasing. When you are ready to remove the clothes from the machine turn the Wash Timer Dial/Programme Selector to 'S' (Spin) and the programme will be automatically completed.

Use the 'rinse and hold' feature for drip dry articles. When you are ready to remove the clothes for drip drying, turn the Wash Timer Dial/Programme Selector to 'S' to drain the water, and then turn further to the stop position.

After 1½ minutes the door may be opened and the clothes removed.

Items that have been hand washed can be rinsed and spun in your Bendix using just the rinse and spin sections of the wash cycles. Select 'G' for natural fibres or 'P' for synthetic

fibres on the Programme Selector/Wash Timer Dial.

Pull the Dial out to start the machine.

After Use

1. Turn off the hot and cold taps to the machine.
2. Make sure that the Wash Timer Dial/Programme Selector is at the 'Off' position. Push the Dial in.
3. Switch off at the power point.
4. Leave the porthole door slightly ajar.
5. Remove and clean the drain screen with the machine empty. If this is not done regularly your Bendix will not drain efficiently - don't forget to replace the drain screen after cleaning. See Page 4.
6. If your machine is not permanently installed disconnect the hoses, remove the electric plug from the socket and coil up the cord.

What's gone wrong?

If your machine won't work, check the following list and make sure that you haven't overlooked anything which might prevent your Bendix from functioning. It will certainly help you and us.

- 1) Check that your Bendix is plugged in and switched on and that the indicator light comes "on" when a programme is selected.
- 2) Check the 13 amp fuse in the plug, you could try another appliance from the same outlet in case the main fuse has blown.
- 3) Be sure that the hot and cold taps have been turned on fully.
- 4) Have you selected the Programmes and pulled out the Wash Timer Dial/Programme Selector.
- 5) Look to see if the door is fully closed, the door safety switch prevents the heater and motor operating if the door is open.
- 6) Is your machine overloaded? If so the motor protector switch will stop the machine. If overloading is the problem simply remove some of the clothes but take care not to scald yourself in doing so.
- 7) Check that the drain and fill hoses are not kinked and have been fitted correctly. Does the drain screen need cleaning? - See Page 4 - but first drain off any water in the appliance.

If your machine still does not work after checking this list contact your nearest Bendix Service Branch. See list on page 15.

Note: If, on making a service call, our engineer discovers that the only attention required is to remedy one of the above conditions, a charge will be made whether the machine is in or out of the guarantee period.

Moving House

If you plan to move, contact your authorised Bendix Serviceman to see what should be done before and during the moving of your machine.

THORN EMI DOMESTIC ELECTRICAL APPLIANCES LIMITED SERVICE DEPOTS

ABERDEEN: 0224 572586

ALDERSHOT: 4 Blackwater Trading Estate, Lower Farnham Road, Aldershot GU12 4EX. Tel: 0252 29555. Telex: 858876

BELFAST: Prince Regent Road, Castlereagh, Belfast BT5 6QR. Tel: 0232 793209. Telex: 74695

BIRMINGHAM: Unit 15, Corngreaves Trading Estate, Cradley Heath, Warley, West Midlands B64 7BJ. Tel: 0384 64971. Telex: 336617

BRISTOL: Arno's Castle Trading Estate, Bath Road, Bristol BS4 3JJ. Tel: 0272 773741. Telex: 449202

CAMBRIDGE: Broad Lane, Cottenham, Cambridge CB4 4SW. Tel: 0954 50025. Telex: 81312

CANVEY ISLAND: 2-4 Sandhurst, Kings Road, Canvey Island, Essex SS8 0QY. Tel: 0268 694144. Telex: 99416

CARDIFF: Clydesmuir Estate, Clydesmuir Road, Tremorfa, Cardiff CF2 2QS. Tel: 0222 394131. Telex: 498616

ELGIN: Tel: 0343 45280

GATESHEAD: First Avenue, Team Valley Trading Est., Low Fell, Gateshead, Tyne & Wear NE11 OPW. Tel: 0632 873321. Telex: 537314.

GLASGOW: 20 Cunningham Road, Clyde Estate, Rutherglen, Glasgow G73 1PP. Tel: 041 647 4381. Telex: 779628

INVERNESS: 0463 33018

LONDON: Empire Way, Wembley, Middlesex HA9 OBA. Tel: 01 903 3421. Telex: 925755

MANCHESTER: Ashton Street, Dukinfield, Cheshire SK16 4RN. Tel: 061 330 5081. Telex: 666541

NEWTON ABBOT: Cross Grange Trading Estate, Heathfield, Newton Abbot, Devon TQ12 6TE. Tel: 0626 832033. Telex: 42656

NOTTINGHAM: Acorn Park, Midway City Industrial Estate, Nottingham NG7 2TN. Tel: 0602 861131. Telex: 377251

OXFORD: Station Lane, Witney OX8 6BL. Tel: 0993 4411. Telex: 83393

SOUTHAMPTON: Unit 9B, Central Trading Estate, Marine Parade, Southampton SO1 1JF. Tel: 0703 28034. Telex: 477332

SOUTHPORT: Slaidburn Crescent, Fylde Road Industrial Estate, Southport PR9 9YF. Tel: 0704 29221. Telex: 677201

TELFORD: Unit D2, Stafford Park 4, Telford, Salop TF3 3AS. Tel: 0952 618721. Telex: 35417

TONBRIDGE: 36 Morley Road, Tonbridge, Kent TN9 1RA. Tel: 0732 357722. Telex: 95269

WAKEFIELD: Monckton Farm, Industrial Estate, Denby Dale Road, Wakefield WF2 7AU. Tel: 0924 371851. Telex: 557744

TRICITY BENDIX

Tricity Bendix House, 55-59 High Road, Broxbourne, Herts. EN10 7HJ.
Tel: 0992 469080. Fax: 0992 469513 (sales & marketing). Fax: 0992 469514 (finance)

Pt. No. 81244

* MASTER COPY *

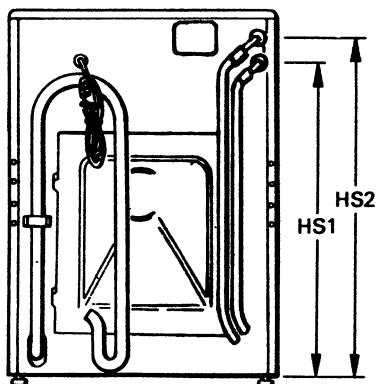
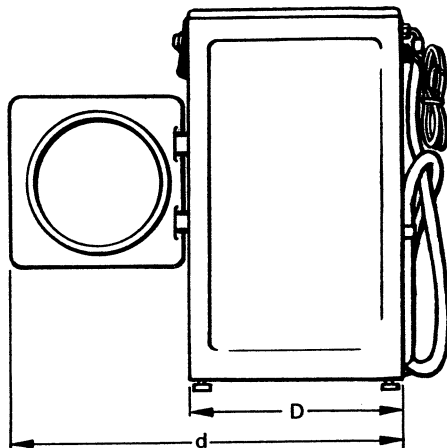
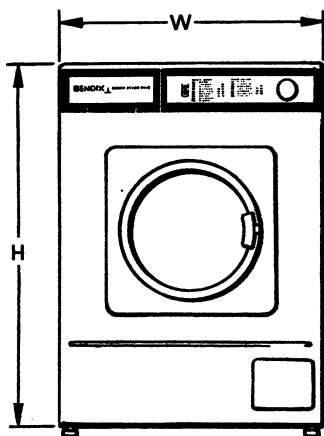
BENDIX

**Installation
Instructions**

**Model 7129
Autowasher
de-luxe**

Made in Italy

DIMENSIONS



Height, overall (H)	850 mm	33 1/2 in
Width (W)	610 mm	24 in
Depth - door closed (D)	502 mm	19 3/4 in
- door open (d)	905 mm	35 1/2 in
Weight - empty	72 kg	158 lb
- dry load	4.5 kg	10 lb

Electrical loadings	
Heater	2.5 kW
Motor - tumble	300W
- spin	750W
Drain pump	95 W

ELECTRICITY

Fused and earthed supply: 240V 50Hz a.c.

Mains lead: 3 core 2.7 m 9 ft

Fuse ratings: 13A or 15A

CONNECTING THE ELECTRICITY

WARNING THIS APPLIANCE MUST BE EARTHED

If this appliance is fitted with a non-rewireable plug for which your socket is unsuitable then it should be cut off and an appropriate plug fitted. The removed plug should be disposed of as insertion of the plug into a 13 amp socket is likely to cause an electrical hazard. If it is necessary to change the fuse in a non-rewireable plug the fuse cover must be refitted. If the fuse cover is lost or damaged the plug must not be used until a replacement is obtained. Replacement fuse covers are available from your nearest TDA Service Centre. It is important that the colour on the replacement fuse cover corresponds with the colour on the base of the plug.

IMPORTANT - The wires in the mains lead are coloured in accordance with the following code:

GREEN AND YELLOW	EARTH
BLUE	NEUTRAL
BROWN	LIVE

As the colours of the wires in the mains lead of this appliance may not correspond with the colour markings identifying the terminals in your plug proceed as follows:

The wire which is coloured green and yellow must be connected to the terminal which is marked with the letter 'E' or by the 'Earth' symbol \equiv or coloured green or coloured green and yellow.

The wire which is coloured blue must be connected to the terminal which is marked with the letter 'N' or coloured black. The wire which is coloured brown must be connected to the terminal which is marked with the letter 'L' or coloured red.

The appliance must be protected by a 13 amp fuse, if a 13 amp (BS 1363) plug is used, or if any other type of plug is used by a 15 amp fuse either in the plug or adaptor or at the distribution board. Only ASTA approved fuses to BS 1362 should be used.

WATER

Supply: Hot & Cold, or Cold-only, using 'F' connector 25115.

Pressure - maximum 1000 kN/m² 147 lb/in²
- minimum 25 kN/m² 3.5 lb/in²

Temperature: Hot water 70°C maximum

Inlet connection ¾ BSP ¾ BSP

Inlet hose length 1.5 m 5 ft

Inlet height HS1 Hot 775 mm 30 ¼ in

HS2 Cold 711 mm 28 in

Preferred stopcock position: left hand side
300 mm 1 ft

Stopcock Recommended:

Bendix 24041 'Hot' & 24042 'Cold'

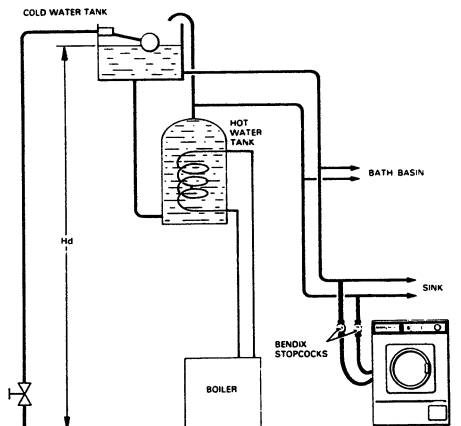
Head (Hd) maximum 100 m 330 ft
minimum 2.4 m 8 ft

CONNECTING THE WATER SUPPLY

The diagram shows a typical domestic plumbing system. Connections can be made by fitting tee-pieces in the existing pipework.*

Permanent connections to Bendix stopcocks located at the lefthand side of the appliance are recommended. Ensure that they are positioned near enough to the appliance to permit it moving for servicing.

Where necessary the appliance can be used on Cold-only water supply by connecting both water inlets by means of a Bendix F-connector 25115. Before using the new pipework for the first time flush out swarf and flux.



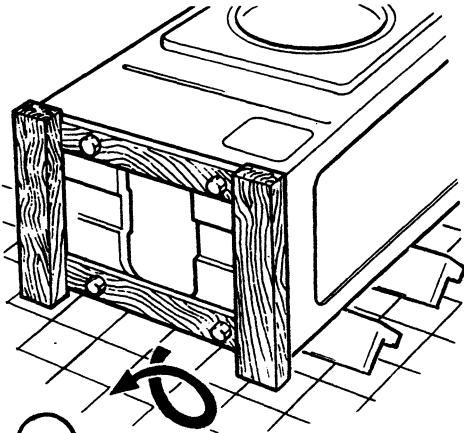
SITE REQUIREMENTS

A dry, level, and relatively smooth floor, with the services brought to the appliance. A minimum of 12 mm (½ in) clearance is required each side of the appliance to permit removal for servicing.

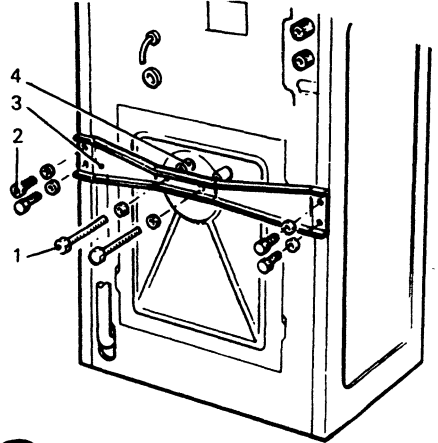
UNPACKING & INSTALLATION

Remove the box, corner pieces and pallet; remove the shipping strap and bolts, in the order shown. Connect the hoses, making sure that the sealing washers 'x' are in position. Plugs 'P' must be fitted to blank off the rear panel holes. Position the appliance and then level it by adjusting the feet, ensure that the locknuts are tightened.

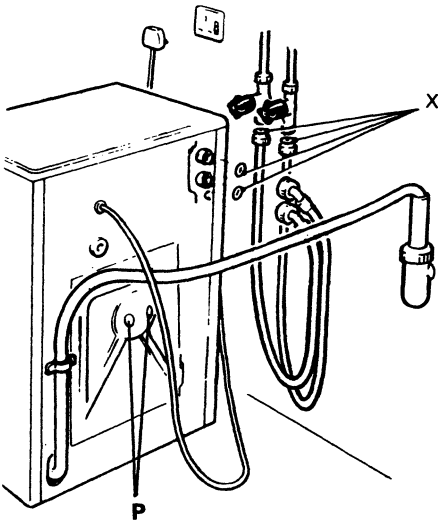
If the installation permits, the shipping strap can be refitted to the back of the appliance using the outermost holes only.



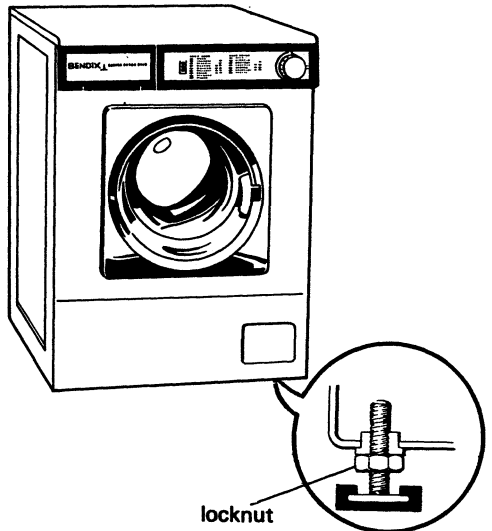
1 Release pallet
Do not lay appliance on its side



2 Remove in order shown



3 Connect water and drainage



4 Adjust legs to level appliance

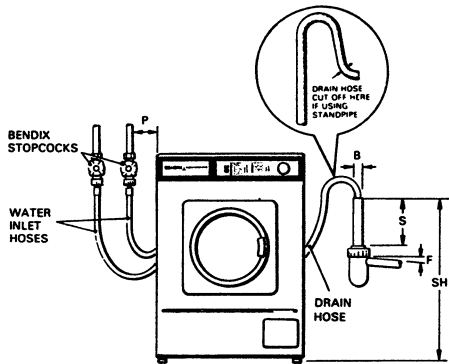
Instantaneous Water Heaters

This model is suitable for use with some makes of instantaneous gas water-heaters. Full details of compatible water-heaters should be obtained from the heater manufacturer or Gas showroom.

The use of these heaters may require more frequent cleaning of the Autowasher water inlet filters than would be necessary with other water heating methods.

DRAINAGE

Length of drain hose	1.5 m	5 ft
Standpipe bore (B)	38-40 mm	1 ½ in
Standpipe to floor (SH)		
- maximum	900 mm	36 in
- minimum	600 mm	24 in
Preferred minimum standpipe (S)		
	380 mm	15 in
Suggested trap*	Bottle type	Bottle type
Fall to drain (F)	100 mm/m	1 in/ft



CONNECTING THE DRAINAGE

A standpipe is recommended, with the dimensions shown. If the appliance is to be left connected to the plumbing and draining the hook should be trimmed before insertion in the standpipe.

The hose can be hooked over the edge of a sink in which case the hose must be left as supplied.

Permanent drainage arrangements should conform to the dimensions given. There must be an airbreak or the appliance may siphon. Although the standpipe is the preferred method, the use of a specially designed trap with a hose connection for a washing machine is acceptable.

The drain pipe should not be pushed into the standpipe more than 8 in.

OPTIONAL EXTRAS

Optional fittings are available from your Bendix stockist and will ease the installation and use of the appliance:

Stopcocks: 'Hot' 24041
'Cold' 24042

Cold-fill F connector 25115

Stacking kit 24320 for mounting Autodrier 7449 on this appliance.

The dimensions given in these instructions are not intended to be direct conversions between metric and imperial units. Please work to one set only.

*The recommendations set out are suggestions only. All installations must comply with the requirements of local authorities or public utilities.

This appliance complies with European Economic Community Radio Interference Directive 76/889/E.E.C.

Thorn Domestic Appliances (Electrical) Limited
New Lane, Havant, Hants PO9 2NH

81729
453295

A member of the THORN EMI Group

