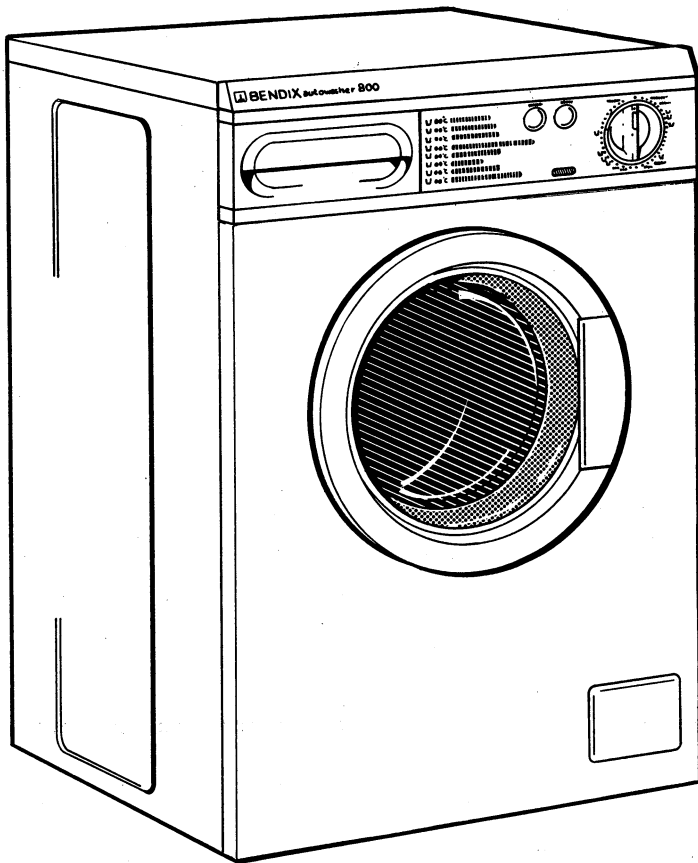


BENDIX

autowasher 800

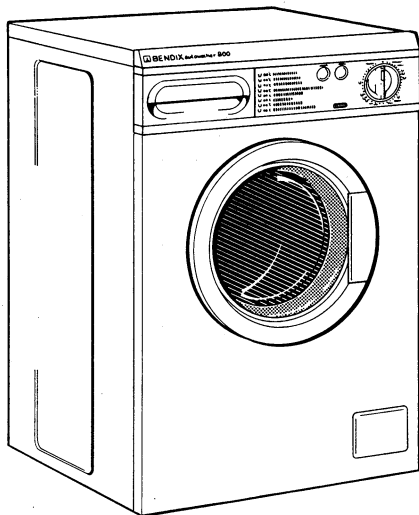


G30

model 71468

operating and installation instructions

The **BENDIX** autowasher 800 Model 71468



Operating & Installation Instructions

You are now the proud owner of a Bendix Autowasher and you will be pleased to find that it washes, rinses and spins without you having to handle the clothes in between times.

You will obviously want to obtain the best possible wash from your machine. By reading and following the instructions in this booklet you will achieve excellent results.

Please also ensure that the Installation Instructions have been carefully followed before any attempt is made to operate your machine.

If you should need any further advice or assistance please contact the Bendix agent from whom your machine was purchased or your nearest TRICITY BENDIX Customer Service Centre.

Capacity and Performance Features:

Dry Laundry Maximum 4 kg (9 lbs)

Water level: Main Wash 20 litres (4½ gallons)/Econ Wash 15 litres (3¼ gallon)

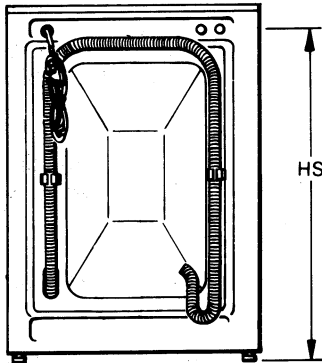
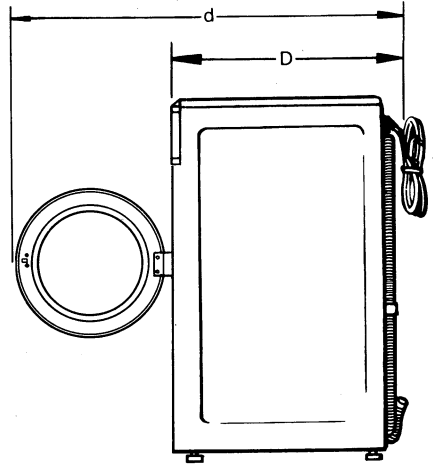
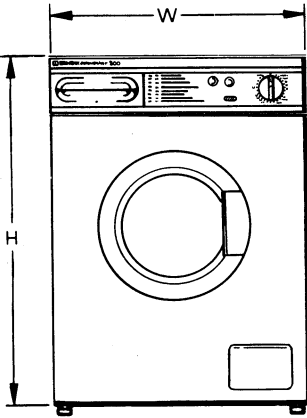
Water Supply: Hot and Cold or cold only with adaptor

Cylinder Volume 43 litres (1.5 cu.ft.)

Installation Instructions

Model 71468 Autowasher 800

DIMENSIONS



Height, inlet (HS)	775 mm	30½ in
Height, overall (H)	850 mm	33 ½ in
Width (W)	595 mm	23 ½ in
Depth		
- door closed (D)	515 mm	20¼ in
- door open (d)	890 mm.	35 in
Weight		
- empty	84 kg	185 lb
- dry load	4 kg	9 lb

Electrical loadings:

Heater		2500W
Motor	- tumble	480W
	- spin	600W/780W
Drain Pump		90W

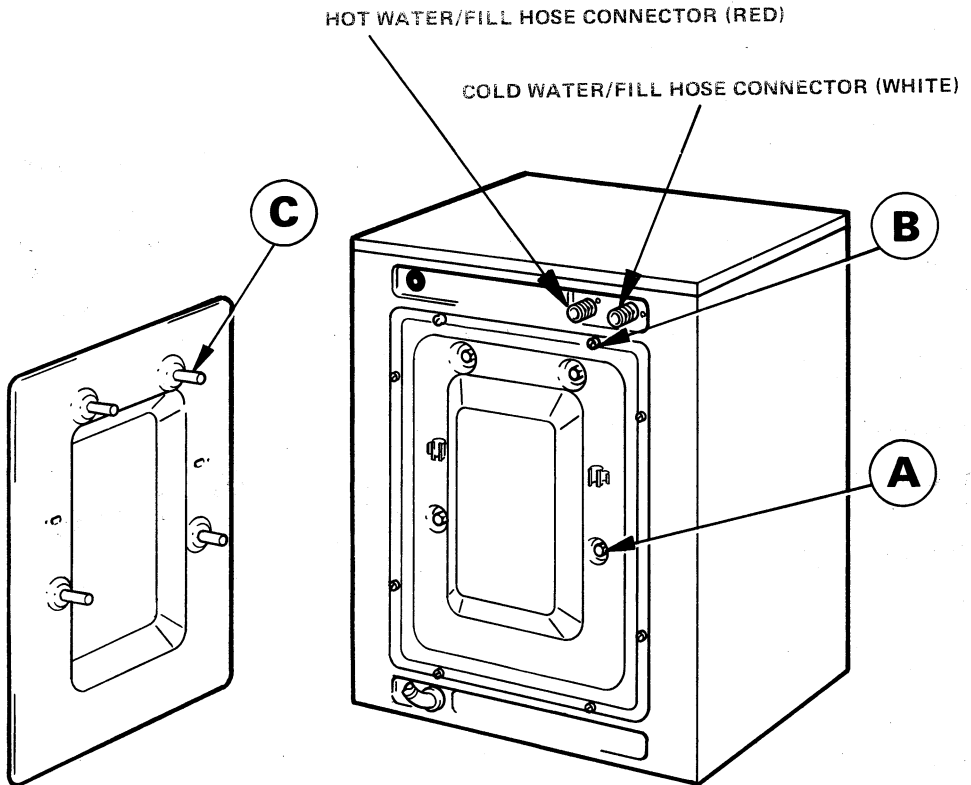
SITE REQUIREMENTS

A firm, level, and a relatively smooth floor, with the services brought to the appliance. A minimum of 12 mm (1/2 in) clearance is required each side of the appliance to permit removal for servicing.

UNPACKING & INSTALLATION

1. Remove the 4 hexagon head shipping screws marked 'A'.
2. Remove the 8 thread cutting screws marked 'B'.

3. Lower the back panel and remove the 4 metal spacers marked 'C' - do not remove the 4 rubber grommets from the back panel.
4. Replace the back panel reusing the 8 screws marked 'B'.
5. Retain the 4 hexagon head screws and the 4 spacers for possible future use. (See also page 6).



ELECTRICITY

Fused and earthed supply: 240V 50Hz a.c.

Mains lead: 3 core 2.7 m 9ft

Fuse ratings: 13A or 15A

WARNING THIS APPLIANCE MUST BE EARTHED

If this appliance is fitted with a non-rewireable plug for which your socket is unsuitable then it should be cut off and an appropriate plug fitted. The removed plug should be disposed of as insertion of the plug into a 13 A socket is likely to cause an electrical hazard. If it is necessary to change the fuse in a non-rewireable plug the fuse cover must be refitted. If the fuse cover is lost or damaged the plug must not be used until a replacement is obtained. Replacement fuse covers are available from Tricity Bendix Customer Parts Centre, PO Box 14, Newton Aycliffe, PL5 6XA. It is important that the colour of the replacement fuse cover corresponds with the colour marking on the base of the plug.

IMPORTANT- The wires in the mains lead are coloured in accordance with the following code:

GREEN AND YELLOW	EARTH
BLUE	NEUTRAL
BROWN	LIVE

As the colours of the wires in the mains lead of this appliance may not correspond with the colour markings identifying the terminals in your plug proceed as follows:

The wire which is coloured green and yellow must be connected to the terminal which is marked with the letter 'E' or by the 'Earth' symbol \equiv or coloured green or coloured green and yellow.

The wire which is coloured blue must be connected to the terminal which is marked with the letter 'N' or coloured black. The wire which is coloured brown must be connected to the terminal which is marked with the letter 'L' or coloured red.

The appliance must be protected by a 13 A ASTA approved (BS1362) fuse if a 13 A (BS1363) plug or a non-rewireable plug is used. If any other type of plug is fitted, a 15 A fuse must be used either in the plug or adaptor or at the distribution board.

This appliance complies with European Economic Community Radio Interference Directive 82/499/EEC.

WATER

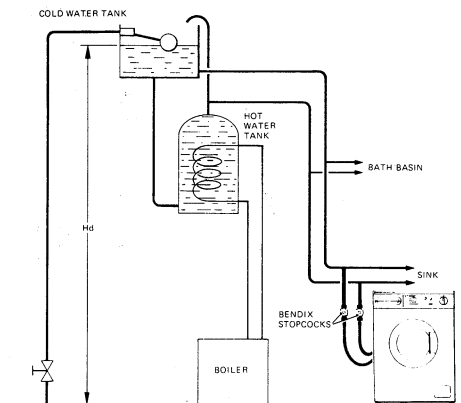
Supply: Hot & Cold

Pressure - minimum	25 kN/m ²	3.5 lb/in ²
- maximum	1000 kN/m ²	150 lb/in ²
Temperature: Hot water	60°C maximum	
Inlet connection	3/4 BSP	3/4 BSP
Inlet hose length	1.35 m	53 in
Inlet height HS	775 mm	30 1/2 in

Preferred stopcock position: at side of machine

Stopcock recommended:

Bendix 24041 & 24042



The diagram shows a typical domestic plumbing system. Connections can be made by fitting tee-pieces in the existing pipework. Before using the new pipework for the first time flush out swarf and flux. Permanent connections to Bendix stopcocks located at the side of the appliance are recommended. Ensure that they are positioned near enough to the appliance to permit moving it for servicing. It is advisable before connecting your machine to the water supply, to ensure that the drain screen located at the front of the machine is fully tightened (see page 8).

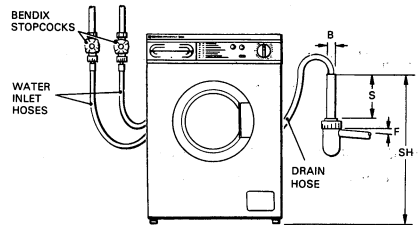
CONNECTING THE INLET WATER SUPPLY

Connect the inlet hoses, making sure the sealing washers are supplied are fitted to each end of both hot and cold water hoses.

Where necessary the appliance can be used on cold-only water supply by connecting both water inlets by means of a Bendix Y-connector 479598.

DRAINAGE

Length of drain hose	1.2 m	4 ft
Standpipe bore (B)	38-40 mm	1 1/2 in
Standpipe to floor (SH)		
- maximum	1 m	40 in
- minimum	0.5 m	20 in
Preferred minimum standpipe (S)		
	380 mm	15 in
Suggested trap	Bottle type	
Fall to drain (F)	100 mm/m	1 in/ft



A standpipe is recommended, with the dimensions shown. If the appliance is to be left connected to the plumbing and drainage, the drain hose may be reduced in length to suit the installation.

Permanent drainage arrangements should conform to the dimensions given. There must be an airbreak or the appliance may syphon.

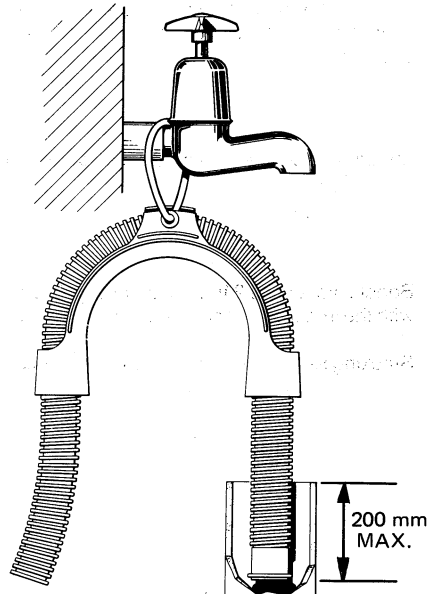
The dimensions given in these instructions are not intended to be direct conversions between metric and imperial units. Please work in one set only.

CONNECTING THE DRAINAGE

To ensure a secure installation when using a standpipe or similar outlet the moulded U-former should be used.

The U-former should be snapped onto the drain hose near the end of the hose and the assembly secured at a suitable point. The sketch below shows a useful arrangement.

Alternatively the hose may be hooked over the edge of a sink.



Most important: Make sure all hoses are free from kinks or the machine will not operate.

Instantaneous Water Heaters

This model is suitable for use with some makes of instantaneous gas water-heaters. Full details of compatible water-heaters should be obtained from the heater manufacturer or Gas showroom.

The use of these heaters may require more frequent cleaning of the Autowasher water inlet filters than would be necessary with other water heating methods.

Bathroom Installations

This appliance must be installed in accordance with the IEE regulations, in particular with regard to installation in bathrooms; if not we reserve the right to refuse to service it.

Plumbing

The recommendations set out are suggestions only. All installations must comply with the requirements of local authorities or public utilities.

Adjustable Feet

It is important that the machine is stable and level during operation, to help you obtain these conditions, the machine is fitted with adjustable feet. To adjust the feet, loosen the locking nuts and adjust all feet to give a level and stable position and then retighten the locking nuts.

Note: If the appliance is to be located on an area which is carpeted, then we recommend the use of a piece of hardboard beneath the machine to help you locate the machine correctly in its final operating position.

Transit Fixings

Most important (See Unpacking Instructions, page 3)

These screws and spacers must be removed before the machine is used. **Failure to do so will damage your machine. When moving the machine to a site it is important to replace these screws and spacers.**

OPTIONAL EXTRAS

Bendix stopcocks 24041 (Hot) and 24042 (Cold) and Cold-Fill Y-connector 479598 are available to help with the installation and use of the appliance.

Stacking Kit 28648 for stacking with Bendix tumble dryer model 74568 as vertical pair.

Operating Instructions - Know your BENDIX autowasher

WASH TIMER DIAL/PROGRAMME SELECTOR

IMPORTANT: Turn only clockwise.

Rotate clockwise to select the wash programme required. Pull it out to start the machine, push in to stop it. Once set and pulled out the Wash Timer Dial/Programme Selector rotates and shows how far through the wash programme your machine has progressed.

A useful guide for matching fabrics to wash programme can be seen on the fascia panel and again on page 11.

DETERGENT DISPENSER

The detergent dispenser is designed so that detergents and additives will flush automatically into your machine. It is divided into three compartments "1" for pre-wash or Bio powders, "2" for main wash powders and "3" for additives i.e. fabric softeners such as Comfort. At the end of the wash programme, any remaining water will be automatically syphoned out leaving the dispenser ready for the next wash.

NOTE: The detergent dispenser drawer and housing should be periodically cleaned to prevent a build up of detergent and fabric softener. The dispenser drawer is easily removed by pulling as far as it will go, then giving a sharp tug. Rinse the dispenser drawer under the tap, dry and replace by slotting the top of the drawer into the runners on the top of the opening and close in the normal way.

MAINS INDICATOR LIGHT - Glows when power is connected, a programme selected and the Wash Timer Dial/Programme Selector pulled out.

DRAIN SCREEN

The removable drain screen which protects the pump from lint and foreign matter needs to be cleaned periodically. How often will depend on your wash load e.g. cotton towels and nappies cause more lint to collect than nylon loads.

First ensure that your machine is empty, then open the service door to expose screen by pressing on the left hand side.

Unscrew by turning anti clockwise 3 times and pull the drain screen out. Have a cloth or shallow tray under the drain screen housing, as a small quantity of water may run out. You may find it helpful to first set the machine to spin then remove the drain screen. This procedure reduces the amount of water released. Clean the screen under running water to help remove the trapped lint. Replace the screen by turning it clockwise until finger tight. Under no circumstances should the drain screen be removed whilst the machine is full of water.

BUTTONS

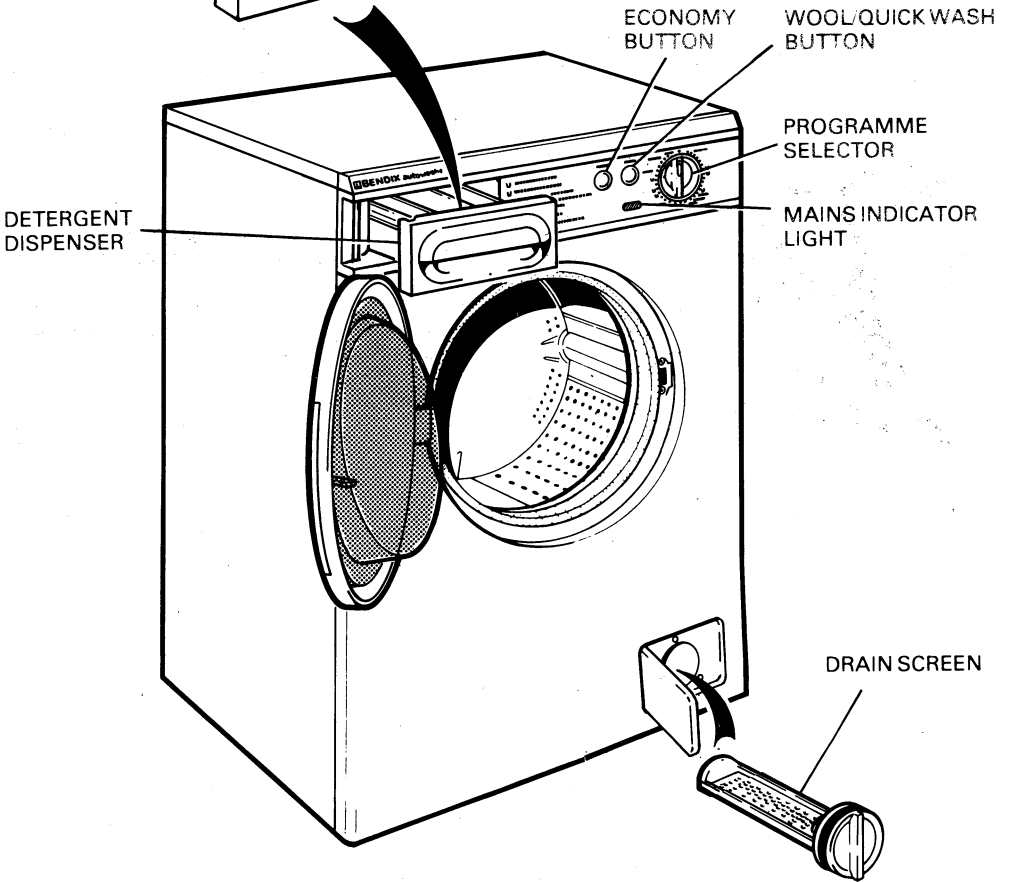
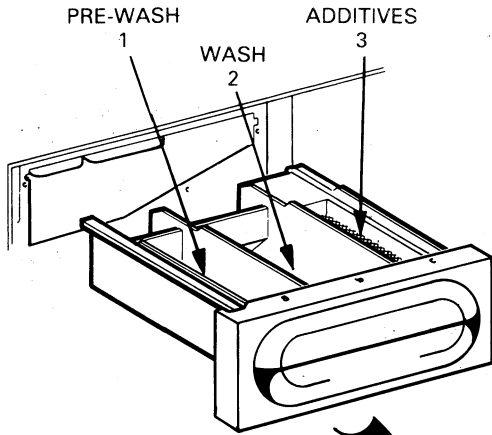
Economy

When this button is pushed in the quantity of water to be heated is reduced. Also less soap powder may be used. This feature is ideal for smaller loads.

Wool/Quick Wash

(a) This button pushed in provides a gentle action most suitable for machine washable woollens.

(b) With button in normal "out" position programme 7 gives a quick 40 minute wash, at 40°C, for less soiled items.



Using your BENDIX autowasher

Always use a low sudsing detergent in your machine, e.g. Persil Automatic, as these are specially formulated to work in conjunction with your Autowasher machine to give the best results.

Initially water enters the machine and flows directly to the drum bypassing the detergent dispenser, preventing waste of detergent into the sump. Detergents will then be flushed automatically into the machine from the detergent dispenser. The suds level should never rise more than halfway up the porthole. Too much foam will not only impede the wash action of your machine but will rise through the detergent dispenser and make a mess on the floor!

If this should happen clear excessive suds by setting the Wash Timer Dial/Programme Selector to the beginning of the first rinse - and allow the machine to rinse out.

The following quantity of powder is a guide for average water supplies. If the water is very hard, more powder may be needed. If very soft, less will be needed. If in doubt refer to the instructions on the packet.

Main Wash 200g (7 oz)

Economy Wash 150g (5 oz)

If you have a more heavily soiled load and decide to use the pre-wash before a main wash, use approximately one third of the powder in the pre-wash compartment '1' of the dispenser and the remaining two thirds in the main wash '2' compartment.

Note: an average teacup holds (3-3½ oz) 85-100g.

Fabric Softeners e.g. Comfort

All fabrics, particularly towels and nappies, benefit from the use of fabric conditioners in the final rinse. Items of laundry feel softer, are more easily ironed and the clinging effect of synthetics is considerably reduced.

To Use:

Pour the conditioner into the "additives" compartment '3' of the detergent dispenser in accordance with the recommendations on the bottle label (standard conditioner 80 ml).

The conditioner will automatically be injected into the machine during the final rinse. Do not overfill the container as this will cause premature syphoning of the conditioner into the machine and a poor wash will result.

Preparation Before You Wash

Today many garments carry a label under the International Textile Care Labelling (ITCLC) scheme indicating the correct type of wash treatment required. You will find that this label corresponds to the Wash Chart on Page 11.

Sort your washing according to the Care Label number given on the garment, or if absent, according to the fabric and type of wash treatment required. Your Bendix Autowasher takes up to 4 kg (9 lb) dry weight of cotton clothes.

If you decide for one reason or another to mix fabrics, always use the wash programme for the most delicate fabric in the load. For example a wash load made up with fabrics from the wash groups 1/ and 2/ should be washed on 2/, similarly a wash load with fabrics from 3/ and 4/ should be washed on 4/ etc. White nylon, Polyester/Cotton, and delicate items i.e. programmes 3/, and 6/, should be washed separately.

Make sure that all pockets have been emptied, zips fastened and apron strings tied. Remove pins and other small objects which could harm clothes if they become separated in the machine.

If possible make up loads of similar soiling keeping heavily soiled items separate from lightly soiled clothes. Heavily soiled areas such as shirt cuffs and collars may be pre-treated by brushing with a solution of detergent and water; this should be applied lightly to the soiled side of the garment.

Before washing your coloured garments – check that the colours are fast!

Usually it is recommended that coloureds be washed separately from whites, but some fast dyed items i.e. sheets, towels can safely be washed together with your family household linen.

Non-fast coloured articles should always be washed at the recommended temperature.

Stain Removal

Most household stains come out in the normal wash, but there are some which require special treatment. The following hints may help with common stains.

When using a stain remover or bleach follow the makers direction carefully. Never use full strength bleach on any fabrics.

Rinse thoroughly after any special treatment. Chemicals left in fabrics can weaken or destroy some fibres. Test fabrics for possible damage to fibres or colour before tackling the stained area.

Coffee, Tea, Fruit, Wine,	These are usually removed in the wash. For old stains, soak in a biological wash product, then launder in the usual way.
Grass, Ink, Ballpoint	Dab with methylated spirits over a soft cotton pad, then launder in the usual way. Do not use methylated spirits on Tricel. Treat ink stains on Tricel with glycerine.
Tar	Scrape off excess, dab with petrol over a soft cotton pad. (Caution. Petrol is inflammable).
Scorch	Moisten light stains and soak in glycerine then wash. If stains remain, soak in one part hydrogen peroxide to nine parts water; wash through and rinse thoroughly.
Iron Mould	Soak light stains in lemon juice, press between damp cotton, repeat if necessary.
Grease, Fat, Lipstick, Blood, Egg, Milk, Cream, Meat Juice	Treat with a proprietary grease solvent. Soak in biological solution, then launder in the usual way.
Mildew	Treat with peroxide. Soak (using one part hydrogen peroxide to nine parts water), rinse well. Care must be taken with coloured fabrics.

BENDIX AUTOWASHER 800 PROGRAMME GUIDE

CARE LABEL	FABRIC	WASH ACTION	NUMBER OF RINSES	PAUSE	FINAL SPIN RPM	MAXIMUM LOAD	ECONOMY LOAD	BUTTON GUIDE	NOTES
Bio Wash	White and fast coloured natural and synthetic fibres	Bio-Pre Wash 50°C	0	No	400 1 Min	4 kg 9 lb	2½ kg 5½ lb	⊕ ⊙	Use for removal of bio stains, blood, gravy, egg etc.
Pre Wash	White and coloured natural and synthetic fibres	Pre-wash 40°C	0	No	400 1 Min	4 kg 9 lb	2½ kg 5½ lb	⊕ ⊙	Use for heavily soiled wash load.
	White cotton and linen	Maximum 95°C	3	No	400 2 min 800 4 min	4 kg 9 lb	2½ kg 5½ lb	⊕ ⊙	A very high temperature maximum wash action which allows oxygen bleaches to work to maximum effect.
	Colour fast cotton and linen	Maximum 60°C	3	No	400 2 min 800 4 min	4 kg 9 lb	2½ kg 5½ lb	⊕ ⊙	A hot wash with maximum wash action to keep colours bright and fresh looking.
	White nylon white polyester cotton mixtures	Medium 60°C	3	Yes	400 2 min	2 kg 4½ lb	1½ kg 2¾ lb	⊕ ⊙	A hot wash with medium action for white nylon and polyester cotton mixtures. Note: white nylon picks up dyes from coloured synthetics.
	Coloured nylon polyester/ cotton, acrylic/cotton and terylene	Medium 50°C	3	Yes	400 2 min	2 kg 4½ lb	1½ kg 2¾ lb	⊕ ⊙	A warm wash with medium action to preserve the appearance of coloured synthetic fibre and cotton mixtures.
	Non colour fast cotton and linen	Maximum 40°C	3	No	400 2 min 800 4 min	4 kg 9 lb	2½ kg 5½ lb	⊕ ⊙	A tepid wash with maximum wash action. A tepid wash preventing transfer of colour from non fast colour fabrics.
	Delicate fabrics, acrylics, acetates and wool mixtures	Minimum 40°C	3	Yes	400 2 min	2 kg 4½ lb	1¼ kg 2¾ lb	⊕ ⊙	A tepid wash with a minimum wash action to care for delicate fabrics.
	Machine washable woollens	Minimum 40°C	3	No	400 2 min 800 4 min	1½ kg 3¾ lb	Not advised	○ ●	A tepid wash with special wash action approved by IWS to care for machine washable woollens.
	Any very lightly soiled articles except delicate fabrics and woollens	Maximum 40°C	3	No	400 2 min 800 4 min	3 kg 6½ lb	1½ kg 3½ lb	⊕ ⊙	A special quick 40 min (depending on incoming water temperature) wash for lightly soiled clothes.

Button Code Guide ○ Normal 'out' position ● optional position ⊕ pushed 'in' position

Guide to wash load weights

Regular Wash	Sheet ... Cotton	Double	2½lb.	1.1 kg
		Single	1½lb.	680g
	Other than cotton	Double	1½lb.	680g
		Single	1¼lb.	570g
	Cot Sheet		6oz.	170g
	Pillowslips Cotton		4oz.	113g
		Others	3oz.	85g
	Bath Towel		1½lb.	680g
	Hand Towel		9oz.	255g
	Tablecloth Small		8oz.	227g
	Tablecloth Large		1½lb.	680g
	4 table napkins		6oz.	170g
	Personal	Shirt ... Cotton		10oz.
Others			7oz.	198g
Blouse ... Cotton			5oz.	142g
		Others		4oz.
Cotton Vest			4oz.	113g
Underslip			4oz.	113g
Panties			2oz.	56g
Bras			1oz.	28g
Pyjamas			12oz.	340g
Nightdress			5oz.	142g
Socks Long 2 pairs.			6oz.	170g
Socks Short 2 pairs.			3oz.	85g
6 Hankies			3oz.	85g
1 doz. Nappies			2½lb.	1.1kg
Special Wash	Candlewick Bedspread			
	Double		7lb	3.18kg
	Single		5lb	2.27kg
	Blanket ... Wool		4¼lb.	2kg
	Acrylic		3¼lb.	1.5kg
	Dress ... Cotton		12oz.	340g
		Others		12oz.
	Sweater ... Wool		14oz.	400g
	Others ... Heavy		12oz.	340g
		Lightweight		6oz.
	Crimplene Suit			
	Normal Weight		3lb.	1.36kg
	Lightweight		2lb.	910g
	Skirt		7oz.	198g

Loading the Machine

When you have a large wash load made up of shirts, towels, pillowcases, pyjamas and other similar small items, place them loosely into the drum.

Large items like a candlewick bedspread for instance, should be washed individually.

When washing a mixed load, put medium and small items into the drum alternately. A sheet should be picked up by the centre, tentwise, shaken and then folded, pressing out the air.

Wash Programme

The choice of programmes on your machine enables you to select the best programme for your wash load. The programmes on the Wash Timer Dial/Programme Selector correspond to the Care Labelling Code of the International Care Labelling Scheme. See the chart on page 11.

Bio Wash

It could be that you have items of laundry which would benefit from a Bio-wash, e.g. blood, gravy, egg stains etc. Follow the above procedure, making sure that the low suds bio detergent goes into the detergent dispenser compartment 1. Select the required Programme and start the machine by pulling out the Wash Timer Dial/Programme Selector.

The machine will now automatically heat the water to 50°C approx. The correct temperature for the Bio-detergent to function.

The Biological wash and soak will take approximately 45 minutes, after which time your machine will stop. At this point the door may be opened and further garments added for the main wash. A main wash programme should then be selected.

Pre-Wash

On heavily soiled wash loads a Pre-wash will help to obtain a better wash. It will disperse any superficial dirt and help loosen soil ready for the main wash.

It can be used in conjunction with most wash programmes - synthetics as well as natural fibres.

To obtain a Pre-wash, load the machine and

place the correct quantity (see page 9) of low suds detergent into both the Pre-wash (1) and Main wash (2) compartments of the detergent dispenser. Select the Pre-wash programme and start the machine by pulling out the Wash Timer Dial/Programme Selector. Once set, the machine will automatically heat the Pre-wash water to 40°C, pre-wash, drain spin and stop. The Pre-wash takes approx. 20 mins. A main wash programme should then be selected.

Main Wash


To start the machine without a Bio-wash or Pre-wash ensure that the Wash Timer Dial/Programme Selector is turned to the desired programme (see chart on page 11) and that the correct quantity of low suds detergent is in the main wash compartment (2) of the detergent dispenser. Start the machine by pulling the Wash Timer Dial/Programme Selector.

Pre-Fill

At the start of the Pre-wash/Bio-wash and Main wash the machine will pre-fill. This means that initially water will flow into the machine bypassing the soap dispenser. This will prevent loss of detergent into the sump.

Woollens Wash

Your Bendix Autowasher has a programme for woollen articles which has been approved by the International Wool Secretariat for machine washable articles.

Turn the Wash Timer Dial/Programme Selector to  and press the wool/quick wash button. Don't wash woollens in your Bendix unless the garment has been labelled 'machine washable', which means that it has been especially treated to minimise shrinkage. It is advantageous however, to spin any woollen articles that have been washed and rinsed by hand as this removes most of the excess water.

After spinning, remove from the drum, pull into shape and dry flat avoiding direct heat. Always dry woollens carefully to help preserve their texture and shape.

Do not be tempted to put woollen garments into any tumble drier, as shrinkage and felting may result.

Quick Wash

Programme **V** provides the facility for a quick 40 minute wash. Select the programme as above but do **not** press the wool button.

Blankets

Blankets that are labelled 'Machine Washable' can be safely washed on the Wool Programme **V** (40°C). Do not select an 'economy' programme. Most blanket manufacturers issue specific treatment for their products. Sometimes they will stipulate hand washing or dry cleaning. This particularly applies to wool cellular and honeycomb blankets which should not be machine washed.

Rinsing

All wash cycles automatically include 3 rinses and the programmes for natural fibres go on to spin automatically at either 400 or 800 rpm. It is during the last of the 3 rinses that any additives like fabric softener are taken into the machine.

The 3 programmes for synthetics and delicate fabrics (see page 11) have a 'pause' feature, giving 3 rinses and then retaining the last rinsing water. This feature prevents excessive creasing. When you are ready to remove the clothes from the machine turn the Wash Timer Dial/Programme Selector to 'Spin' and the programme will be automatically completed.

Spin

Items that have been hand washed can be rinsed and spun in your Bendix using the rinse and spin sections of the wash cycles. Select rinse 1 on the Wash Timer Dial/Programme Selector for natural fibres and delicate rinse for synthetic fibres.

Pull the Dial out to start the machine

After approximately 2 minutes delay the door may be opened and the clothes removed.

After Use - we recommend:

1. Turn off the hot and cold taps to the machine.
2. Make sure that the Wash Timer Dial/Programme Selector is at the 'off' position. Push the Dial in.
3. Switch off at the power point.
4. Leave the porthole door slightly ajar to assist in drying out.
5. Ensure that the drain screen is clean, especially after washing nappies and towels. If this is not done regularly you may find your Bendix will not drain efficiently. Always remove and clean the drain screen when the machine is empty. Don't forget to replace the drain screen after cleaning. See page 7.
6. If your machine is not permanently installed, disconnect the hoses, remove the electric plug from the socket and coil up the cord.

CUSTOMER SERVICE CENTRES

In the event of your domestic appliance requiring service this can be obtained by calling the nearest Customer Service Centre on the number given below. The areas are defined by Postcode for easy reference.

ABERDEEN IV, KW, AB, DD PH	0224-696569	Electrolux Service 8 Cornhill Arcade, Cornhill Drive, Aberdeen AB2 5UT
ALDERSHOT RG, GU, KT RH	0252 24505	Electrolux Service Hippodrome House, Birchett Road, Aldershot GU11 1LU
BELFAST BT	0232 746591	Electrolux Service Unit C3, Edenderry Ind. Estate, 326 Crumlin Road, Belfast
BIRMINGHAM DY, WR, B WV, TF, ST, WS	021 3587076	Electrolux Service 8 Lammemoor Avenue, Great Barr, Birmingham B43 6ET
BRIGHTON BN	0273 694341	Electrolux Service 31 Bristol Gardens, Kempdown, Brighton BN2 5JR
BRISTOL BS, BA, SN	0272 211876	Electrolux Service 3 Waring House, Redcliffe Hill, Bristol BS1 6TB
CANVEY ISLAND RM, CM, SS, CO, IG	0268 694144	Electrolux Service 2-4 Sandhurst, Kings Road, Canvey Island SS8 0OY
CARDIFF SA, LD, HR, NP, CF	0222 460131	Electrolux Service Guardian Industrial Estate, Clydesmuir Road, Tremorfa, Cardiff CF2 2QS
EDINBURGH KY, EH, TD, FK	031 229 1232	Electrolux Service 4 Lochrin Place, Tollcross, Edinburgh EH3 9QY
GATESHEAD NE, CA, DL, TS, DH, SR	091 493 2025	Electrolux Service Suite 3, Saltwell House, Lobley Hill Road Gateshead NE8 4DD
GLASGOW DG, KA, ML, PA, G	041 647 4381	Electrolux Service 20 Cunningham Road, Clyde Estate, Rutherglen Glasgow G73 1PP
LEEDS DN, HU, YO, HG, WF, LS, S HX, HD, BD	0532 608511	Electrolux Service 64-66 Cross Gates Road, Leeds LS15 7NN
LEICESTER LE, DE, NG, LN, CV	0533 515131	Electrolux Service 10-12 Buckminster Road, Leicester, LE3 9AR
LONDON (NORTH) EC, WC, NW, EN, E, N, W	01 443 3464	Electrolux Service Unit C, Mollison Avenue, Ponders End, Enfield, Middlesex EN3 7SR
LONDON (SOUTH) SW, SE, SM, CR, BR	01 658 9069	Electrolux Service 127 Croydon Road, Beckenham, Kent
LONDON (WEST) HA, WD, UB, TW	01 965 9699	Electrolux Service 842 Coronation Road, Park Royal, London NW10
LIVERPOOL CW, CH, LL, SY, LA WA, WN, PR, FY, L	051 220 8014	Electrolux Service 1 Honeys Precinct, Honeys Green Lane, Liverpool L12 9JR
LUTON LU, MK, SG, CB, AL	0582 575966	Electrolux Service 101 Oakley Road, Luton LU4 9QQ
MANCHESTER SK, BL, OL, BB, M	061 798 9689	Electrolux Service 88 Bury Old Road, Whitefield, Manchester
NEWTON ABBOT TR, PL, TQ, EX, TA	0626 65909	Electrolux Service 2nd Floor (7), Bridge House, Courtenay Street, Newton Abbot TQ12 2QS
NORWICH PE, NR, IP	0603 667017	Electrolux Service 1 Malthouse Lane, Norwich, Norfolk
OXFORD GL, OX, NN, HP, SL	0993 704411	Electrolux Service Suite 3, Windrush Court, 56A High Street, Witney OX8 6BL
PORTSMOUTH BH, SP, DT, PO, SO	0705 667411	Electrolux Service Limberline Road, Hilsea, Portsmouth PO3 5JJ
TONBRIDGE TN, DA, ME, CT	0732 357722	Electrolux Service 61-63 High Street, Tonbridge TN10 3RY

October 1988/03

Tricity Domestic Appliances Limited

55-59 High Road, Broxbourne, Herts. EN10 7HJ.

Part No. 82591/1