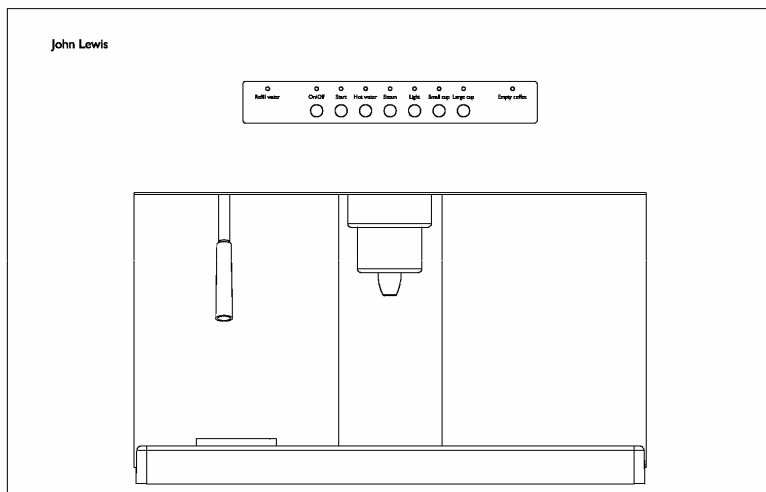


# JLBICM 01

## Coffee machine

### Instruction manual



**John Lewis**



# Important Safety Information

It is most important that this instruction book should be retained with the appliance for future reference. Should the appliance be sold or transferred to another owner, or should you move house and leave the appliance, always ensure that the book is supplied with the appliance in order that the new owner can get to know the functioning of the appliance and the relevant warnings. These warnings have been provided in the interest of safety. You **MUST** read them carefully before installing or using the appliance. If you are unsure of the meanings of these warnings contact the John Lewis branch from which you purchased the appliance.

## Installation

- This appliance is heavy. Care should be taken when moving it.
- It is dangerous to alter the specifications or attempt to modify this product in any way.
- Any electrical work required to install this appliance should be carried out by a qualified electrician or competent person.
- Care must be taken to ensure that the appliance does not stand on the electrical supply cable.

## Child Safety

- This appliance is designed to be operated by adults. Children should not be allowed to tamper with the controls or play with the product.
- Keep all packaging well away from children.
- When the appliance is to be scrapped, cut off the electrical supply cable and destroy the plug with the remaining cable.

## Use

### **Caution:**

The filtering unit will always be kept very hot to obtain an excellent coffee. Therefore please empty the “used” coffee tank with extreme care to avoid being scalded.

- This machine must be used only by adults. Make sure that children cannot touch the controls nor play with the machine.
- Modifying or merely trying to modify the characteristics of this product is very dangerous, and will invalidate your guarantee.
- Always keep this machine clean.
- The external parts of this machine become very hot while it is operating and they will not cool down immediately after the machine is switched off. Keep children out of reach.
- Before cleaning or servicing the machine, make sure that it is disconnected from the power supply.
- Under no circumstances should you attempt to repair the machine yourself. Repairs carried out by inexperienced persons may cause injury or serious malfunctioning. Contact the telephone number given under Repairs - After Sales Service (Page 19).
- Always insist on genuine John Lewis spare parts.

## Maintenance and Cleaning


- For information on maintenance and cleaning your coffee machine see page 34 of this Instruction manual.

## Service

- This product should only be repaired or serviced by an authorised Service Engineer and only genuine approved spare parts should be used.




## Environmental Information

- After unpacking please dispose of the packaging with due regard to safety and the environment
- Materials marked with the symbol  are recyclable.
- Check with your local Council or Environmental Health Office to see if there are facilities in your area for recycling this appliance.
- When the appliance is to be scrapped, cut off the power supply cable and make the door closing device unusable to prevent young children from being trapped inside.
- Check with your local Council or Environmental Health Office to see if there are facilities in your area for recycling this appliance.



### **Warning!**


- A cut off plug inserted into a 13amp socket is a serious safety (shock) hazard. Ensure that the cut off plug is disposed of safely.
- The symbol  on the product or on its packaging indicates that this product may not be treated as household waste. Instead it shall be handed over to the applicable collection point for the recycling of electrical and electronic equipment. By ensuring this product is disposed of correctly, you will help prevent potential negative consequences for the environment and human health, which could otherwise be caused by inappropriate waste handling of this product. For more detailed information about recycling of this product, please contact your local city office, your household waste disposal service or the shop where you purchased the product.

## During use

### For installation and servicing

Keep this instruction manual together with the machine for any future reference. If the machine is sold or transferred to another person, make sure that this instruction manual is given to the new user, so that he/she can become familiar with the machine's functions and with the recommendations given.

- This machine must be installed and connected to the mains by a **COMPETENT PERSON**. Make sure that the machine is **DISCONNECTED** from the power supply before any servicing operation.
- After unpacking the machine make sure that the product has not suffered any damage and that the power cord is in perfect condition. In case of damage, please contact your retailer or our customer service dept.
- The Manufacturer declines all responsibility if the safety rules are not complied with.

 This machine complies with the directive BT 73/23  
Electrical safety rules EN 60335-1 (August 1995 - Safety for electrical household and similar appliances – General Standard) and EN 60335-2-15 (April 1996 – Specific Rules concerning the equipment for heating liquids).  
Directive EMC 89/336 in conformity with the following standards:  
55014-1; 55014-2; 61000-3-2; 61000-3-3

### Guide to use the instruction manual

The following symbols will be found in the text to guide you throughout the instructions:

 **Safety instruction**

 **Hints and tips**

 **Environmental information**

# Contents

## For the User

### Important safety information

### Description of the coffee machine

### The control panel

- touch controls

### Instruction for the first use

- filling up the water reservoir
- hardness of water
- filling up the container with coffee beans
- initial start-up
- adjusting the texture ground coffee
- stand-by mode

### Making coffee

- How to obtain an excellent espresso

### Hot water

### Steam

- Heating liquids

### Programming the amount of coffee

### Programming the volume of coffee dispensed in the cup

### If you wish to reset the standard values

- Resetting standard values

### Signal and alarms

- Water refill indicator
- Volumetric counter fault
- Used coffee drawer full/coffee beans refill indicator
- Fault indicator

### Cleaning

- Outer parts
- Steam nozzle
- Drip tray
- To empty the “used” coffee drawer
- Water reservoir
- Cleaning cycle of the boiler

### Something not working

### Repairs-after sales service

- Spare parts

## For the Installer

### I Installation

- Building-in
- Components for the installing the machine
- Electrical connection
- Installing the machine

### II Technical specifications

### II Electrical connection

- Permanent connection

5

5

5

5

7

9

9

9

13

14

15

17

17

18

19

19

20

22

23

23

24

24

24

24

24

25

25

25

26

26

27

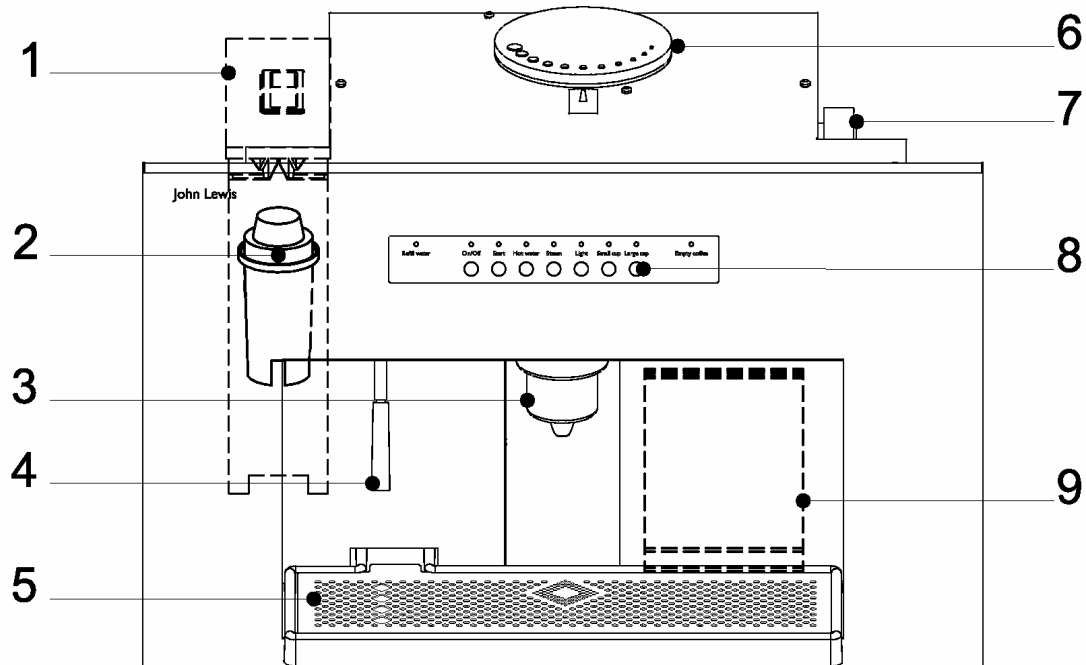
27

27

28

28

# Description of the Appliance



1. Water reservoir
2. Brita filter
3. Coffee Outlet
4. Steam/water nozzle
5. Drip tray
6. Coffee beans container
7. Grinding regulation knob
8. Control panel
9. "Used" coffee drawer

# Installation

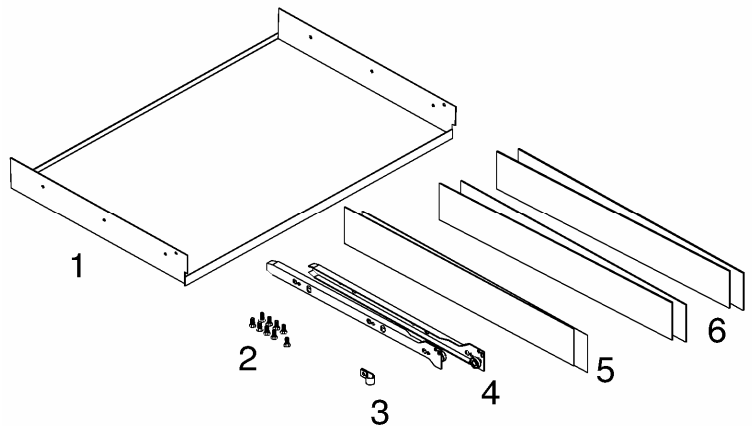
## Building-in

Installing the machine into kitchen furniture with proper characteristics will ensure a correct operation of the equipment. Complying with the safety rules, ensure a proper protection against any contact with the electric components and with the parts protected only by functional insulation, by housing the machine correctly into the furniture. All components that guarantee protection, even a cover panel (for instance, when the machine is positioned at one of the ends of the modular furniture), should be firmly fixed so that they cannot be removed without tools. Install this machine at a certain distance from refrigerators or freezers, because the heat it emits can impair their functioning.

## Components for the installing the machine

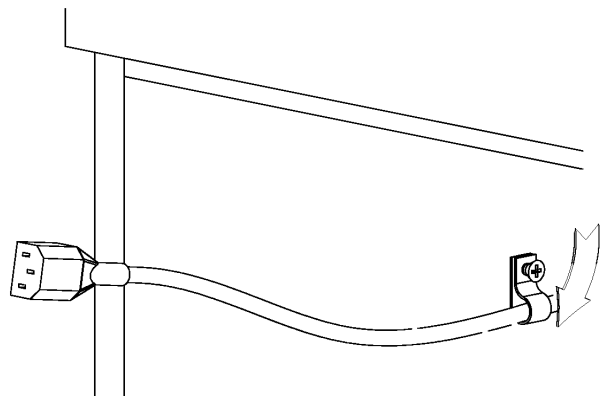
This coffee machine and drawer can be installed into cabinets with height of 450 mm and width ranging from 560 mm to 570 mm. The machine is equipped with the following components for the installation:

1. 1 fixing base
2. 9 self-threading screw 3.9X19
3. 1 cable clamp
4. 2 side slides
5. 2 side-plates of 1 mm
6. 4 side-plates of 2 mm

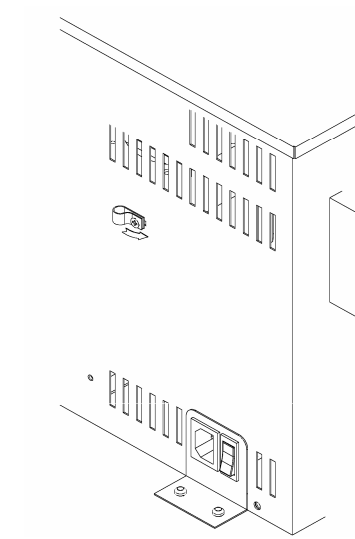


## Electrical connection

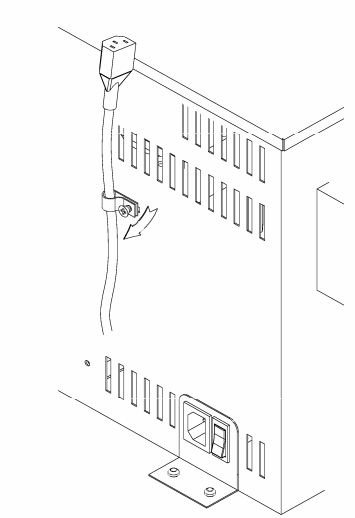
- Fix the power cable onto the left side of the cabinet using one of the self-threading screws of the equipment and the proper cable clamp as shown in the figure.



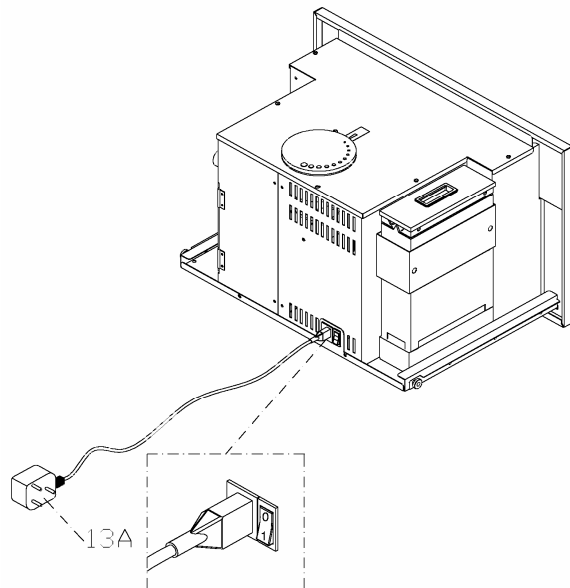
- Unscrew the cable clamp available on the machine.



- Fix the power cable onto the machine as shown in the figure.



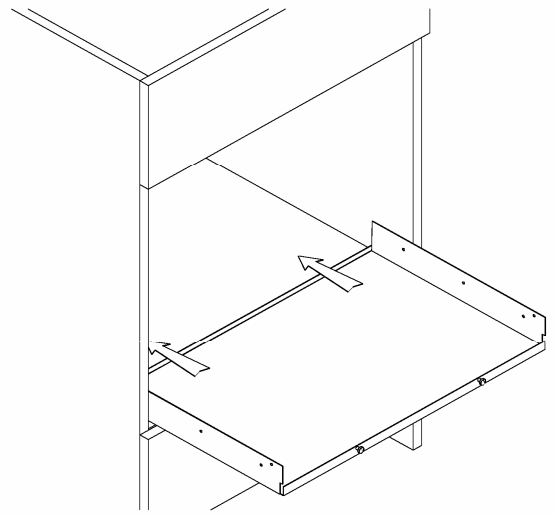
- Connect the power cable as shown in the figure. This machine is designed for a single phase voltage of 230V. The power supply requires only outlets of 13A fuse and a double pole isolation switch with at least 3 mm between contacts.



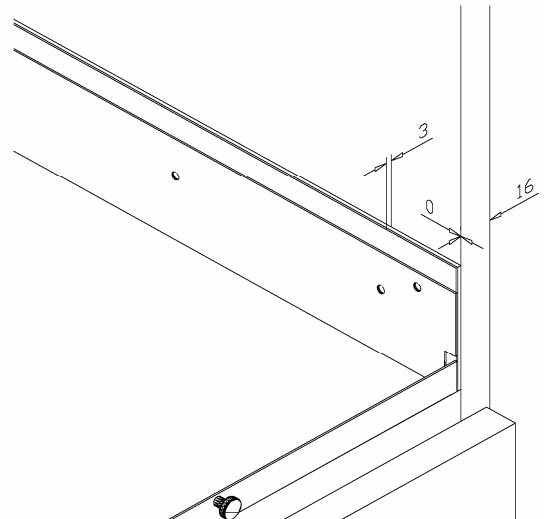


# Installing the machine

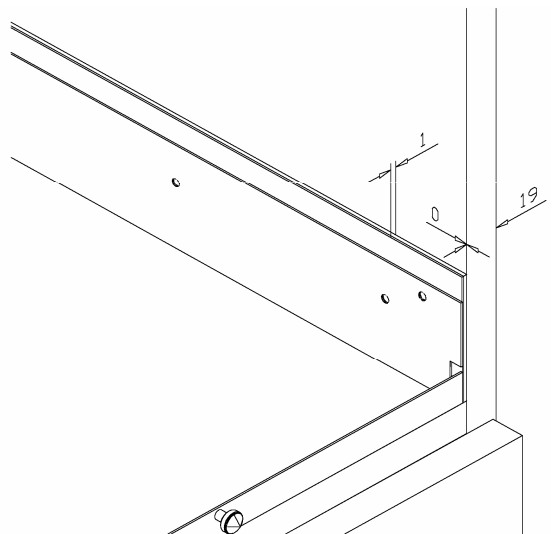
- Lay the U base plate of the machine on the shelf of the cabinet.



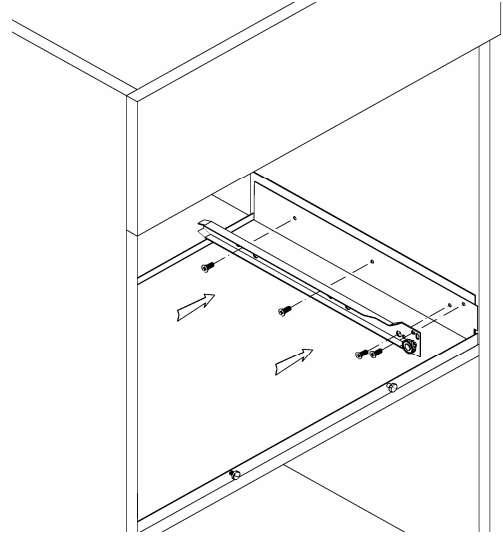
- Insert the L plates, compensating for any space. The width of the housing unit the coffee machine depends on the thickness of the cabinet's sides. six side plates (four being 2 mm thick and two 1 mm thick) are provided to compensate for the different possible measures.



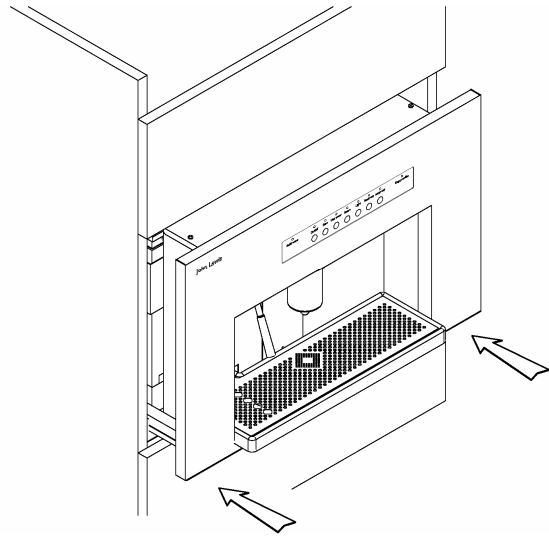
- They should be used to compensate for the internal width of the compartment, leading to a width of 560/570 mm.



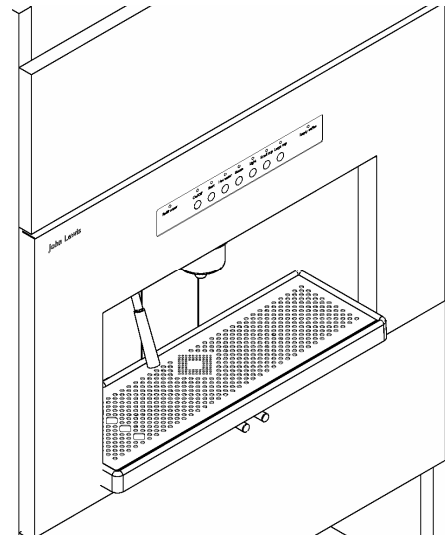
- Fix the U base plate inserting 4 self-threading screws into the 4 front holes of the same plate. Then screw the telescopic runners to each side with the remaining 8 self-threading screw.



- Insert the machine into the housing by coupling the machine to the runners fixed to the sides of the carcass.



- Slide the machine into the cabinet until the “click” indicates that it is locked into Position.



# Technical specifications

|                                       |        |
|---------------------------------------|--------|
| Width                                 | 594 mm |
| Depth                                 | 475 mm |
| Height                                | 378 mm |
| Capacity of water reservoir           | 2.5 l  |
| Net weight                            | 28 kg  |
| Gross weight                          | 31 kg  |
| Supply voltage                        | 230 V  |
| Rated power                           | 2000 W |
| Power absorbed by the heating element | 1700 W |
| Power absorbed by the pump            | 50 W   |
| Working pressure                      | 12 bar |
| Fuse                                  | 13 A   |

## Electrical connection

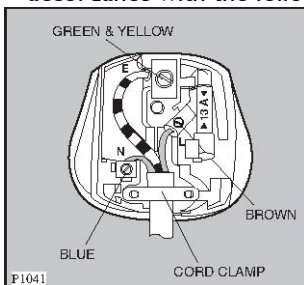
Any electrical work required to install this appliance should be carried out by a qualified electrician or competent person.



### **WARNING: THIS APPLIANCE MUST BE EARTHED.**

Should the appliance power supply cable need to be replaced, this must be carried out by a Service Force agent. The manufacturer declines any liability should this safety measure not be observed.

Before switching on, make sure the electricity supply voltage is the same as that indicated on the appliance's rating plate. The appliance should be fitted with a 13amp plug. The plug should be fitted with a 13amp ASTA approved BS1363/A fuse. The mains lead of the appliance should be connected as described below. The wires in the mains lead are coloured in accordance with the following code:



- Green and Yellow – Earth
- Blue - Neutral
- Brown - Live

In the plug the colours of the wires may not correspond with the markings identified with the terminals in your plug:

- 1) Connect the Green and Yellow (earth) wire to the terminal in the plug which is marked with the letter "E" or the earth symbol or coloured green and yellow.
- 2) Connect the Blue (neutral) wire to the terminal in the plug which is marked with the letter "N" or coloured black.
- 3) Connect the Brown (live) wire to the terminal in the plug which is marked with the letter "L" or coloured red.
- 4) Upon completion there must be no cut, or stray strands of wire present and the cord clamp must be secure over the outer sheath.



**THE PLUG MUST STILL BE ACCESSIBLE AFTER THE APPLIANCE HAS BEEN INSTALLED.**



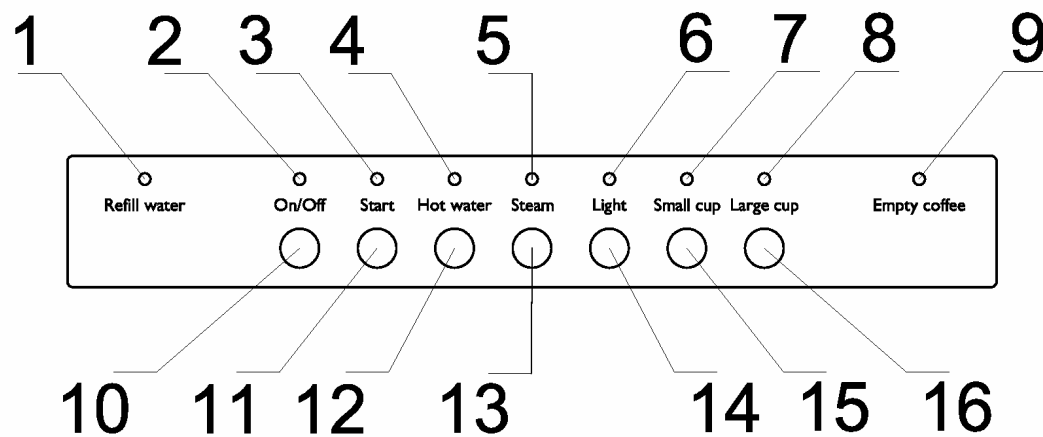
**THE APPLIANCE SHOULD NOT BE CONNECTED TO THE ELECTRICAL SUPPLY BY MEANS OF AN EXTENSION CABLE**

## Permanent connection

In the case of permanent connection it is necessary that you install a double pole switch between the appliance and the electricity supply (mains), with a minimum gap of 3mm between the switch contacts and of a type suitable for the required load in compliance with the current electrical regulations.

The switch must not break the yellow and green earth cable at any point.

# The control panel



1. Water refill indicator
2. ON-OFF/stand-by indicator
3. Start indicator
4. Hot water selector indicator
5. Steam selector indicator
6. Light selector indicator
7. Espresso coffee indicator
8. Regular coffee indicator
9. Used Coffee 'drawer full' indicator
10. ON-OFF/stand-by control
11. Start control
12. Hot water selector control
13. Steam selector control
14. Light selector control
15. Espresso coffee control
16. Regular coffee control

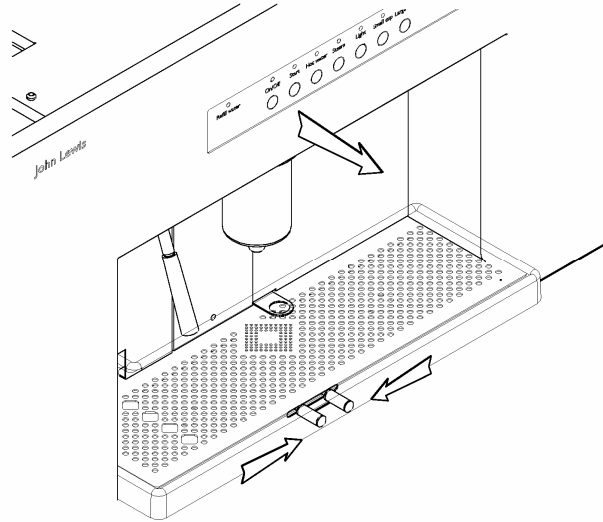
## Touch controls

These touch controls must be pressed precisely to prevent functions from being enabled accidentally. Pressing lightly on the respective symbol will enable the corresponding function.

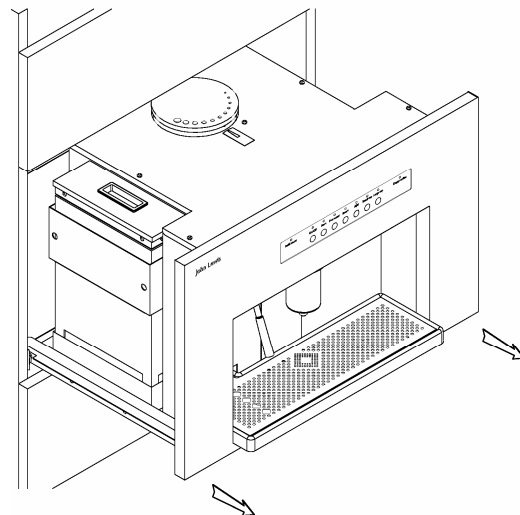
# Instructions for the first use

## Filling up the water reservoir

- Squeeze together the unlocking levers found under the drip tray

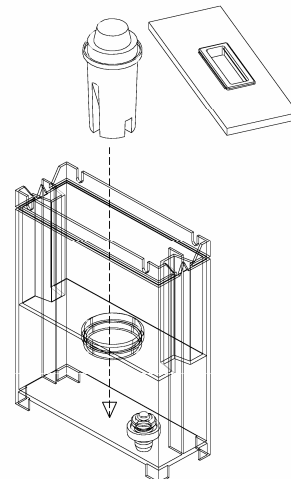


- Gently pull the coffee machine forward from the housing by sliding it along the telescopic runners.

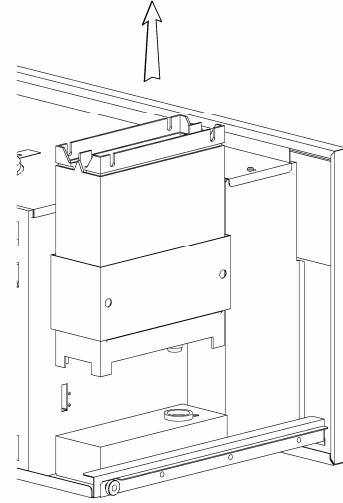


## Hardness of water:

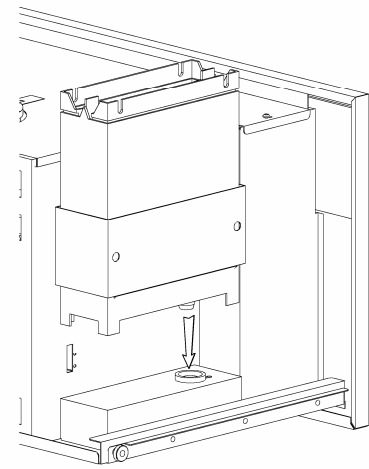
- Before filling up the water reservoir, make sure that the decalcifying Brita filter has been soaked in cold water for at least 30 min. Follow the instructions printed on the filter package. After this operation insert the filter into position inside the water reservoir as shown in the figure.
- If the machine will not be used for long periods, empty the water from tank.
- Brita filters are available from most supermarkets and domestic goods outlets, at our After-Sales Service Centres or at the Shops of Authorized Spare Parts.



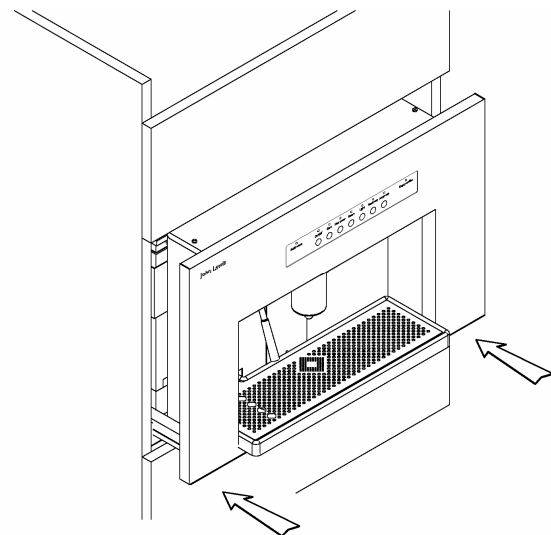
- Remove the reservoir and fill it with approximately 2.5 litres of water as shown.



- replace the water reservoir in its own housing tankig care to fully engage the water valve into the docking station.

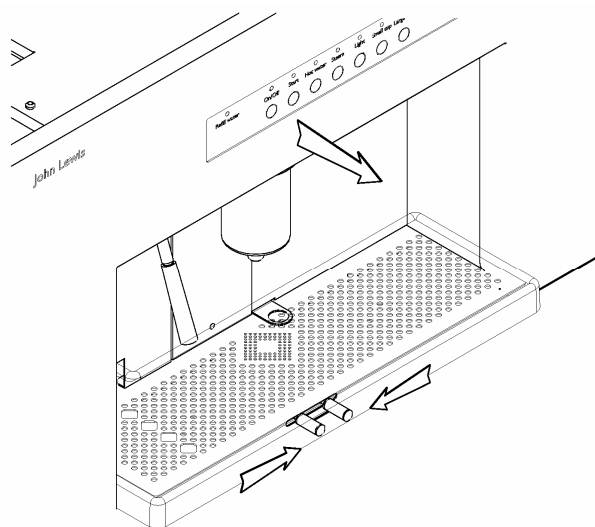


- Ensure the mains ON/OFF switch(at rear) is ON
- push the machine back into the housing until a “CLICK” can be heard. This indicate that the machine has been locked in position.

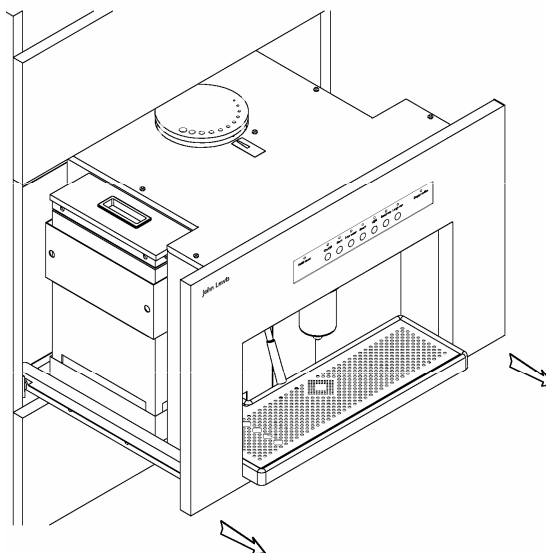


## Filling up the container with coffee beans

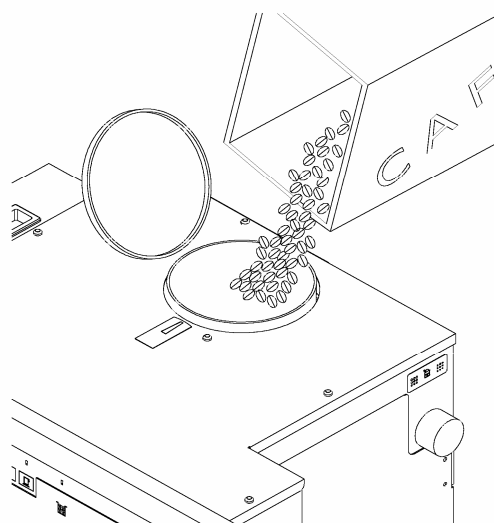
- Press the unlocking levers located under the drip tray and pull the machine as it is shown in the figure.



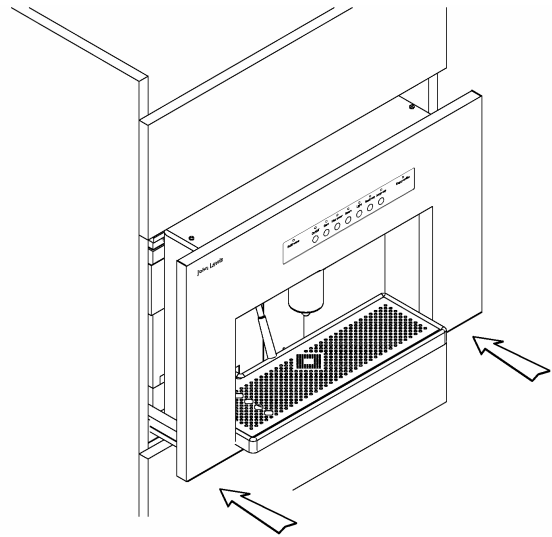
- pull the coffee machine forward from the housing along the telescopic runners .



- Pour approximately 200 g of coffee beans into the container on the top as shown in the figure.

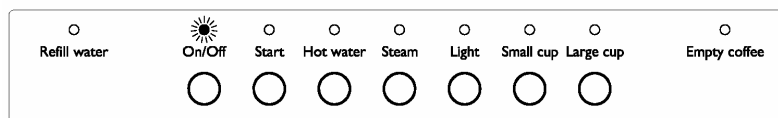
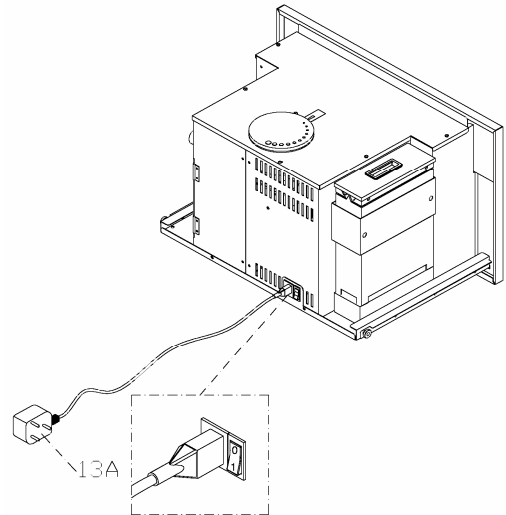


- Push the machine back into the housing until a “CLICK” can be heard. This indicates that the machine has been locked in position.

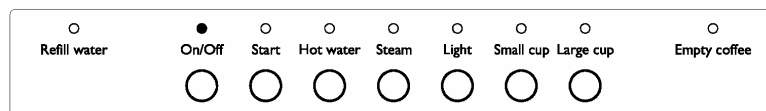


## Initial start-up

- Put the main switch in position I
- The led corresponding to the ON-OFF control will blink rapidly for 3 minutes.



- The machine is in stand-by mode when the ON-OFF LED is blinking slowly, it is then ready to be switched on.



- Ensuring the water reservoir and the coffee beans container are full, switch the coffee machine on by pressing the on-off control and the corresponding LED stops flashing and remains lit.

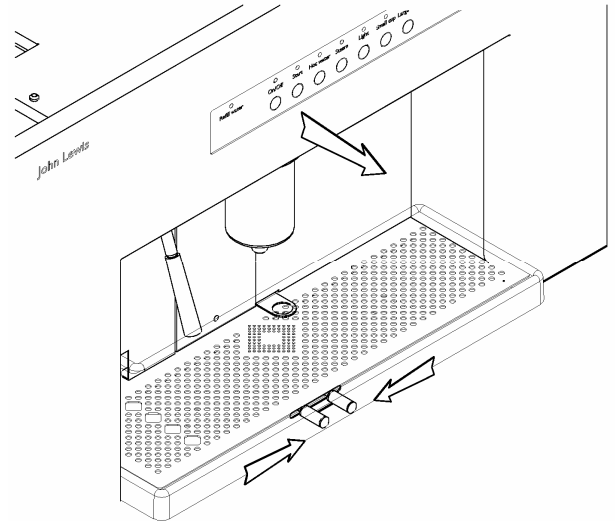


# Adjusting the texture ground coffee

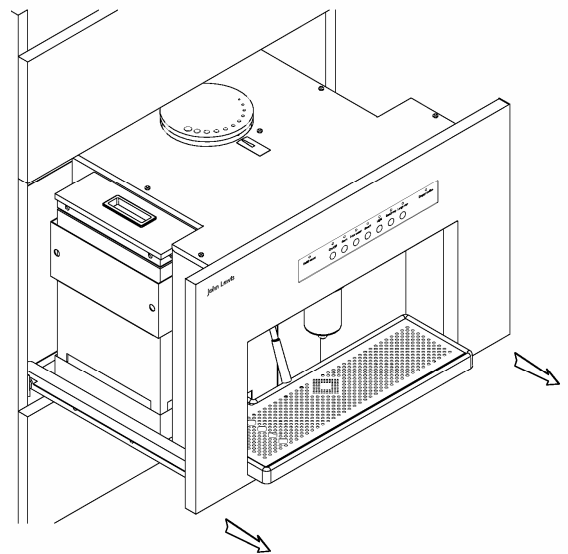
## CAUTION

This machine is calibrated in the factory for an optimum level of ground coffee. Too “coarse” ground coffee will result in a weaker coffee. Too “fine” ground coffee will result in very strong coffee, delivered by “drops” and tasting “bitter”. The time required for an espresso will range from 20-30 seconds.

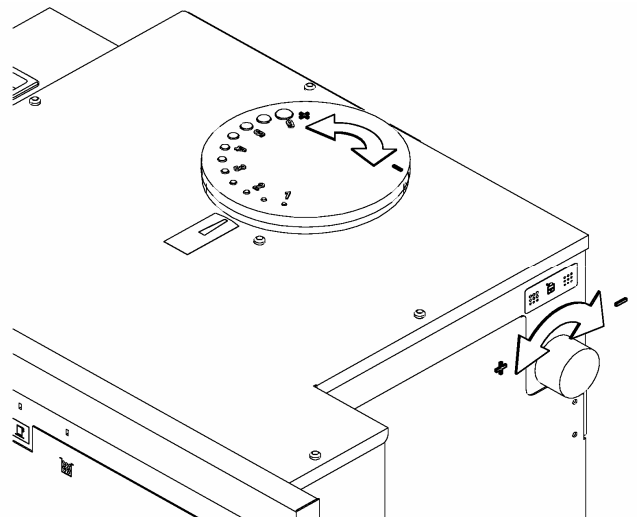
- Press the unlocking levers available under the drip tray and pull the machine as shown in the figure.



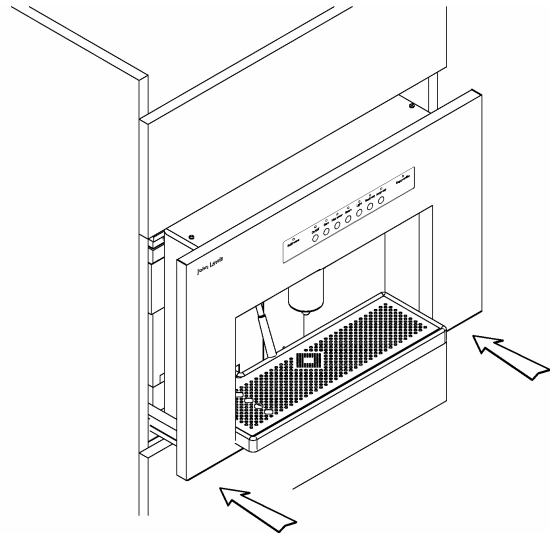
- Pull the coffee machine forward from it's housing by sliding it along it's telescopic runners.



- Turning the knob will adjust the coffee texture. Before adjusting, make a note of the original setting so that the machine can be reset, if required, to the factory settings. Turning the knob in the clockwise direction will lead to a fine texture for a stronger coffee. Turning the knob anti-clockwise will lead to a coarse texture for a weaker coffee. The set grinding level can be read on the lid of the coffee case: bigger circles means “coarse” grinding level (fast-flowing weak coffee), whereas smaller circles means “fine” grinding level (slow-flowing strong coffee).

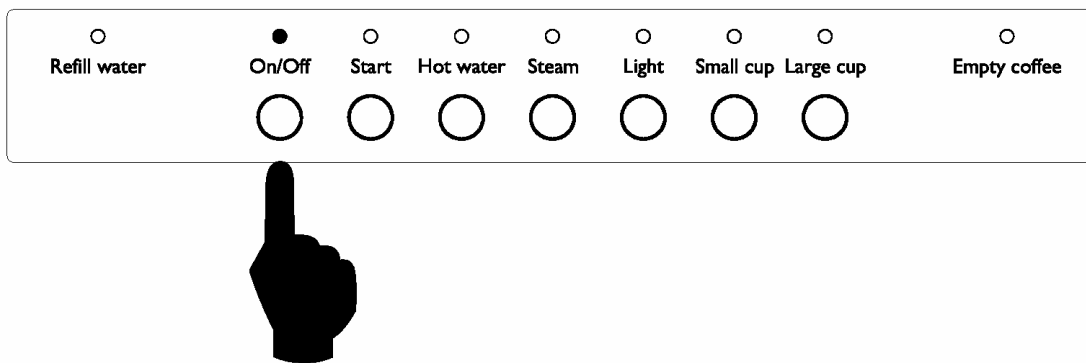


- Push the machine back into the housing until a “click” can be heard. This indicates that the machine is locked in position.



## Stand-by mode

- Once powered and inserted into the cabinet, the machine is in stand-by mode: this will be signaled by the on/off LED blinking.
- Press the start control to switch on the machine: the start LED will be illuminated.

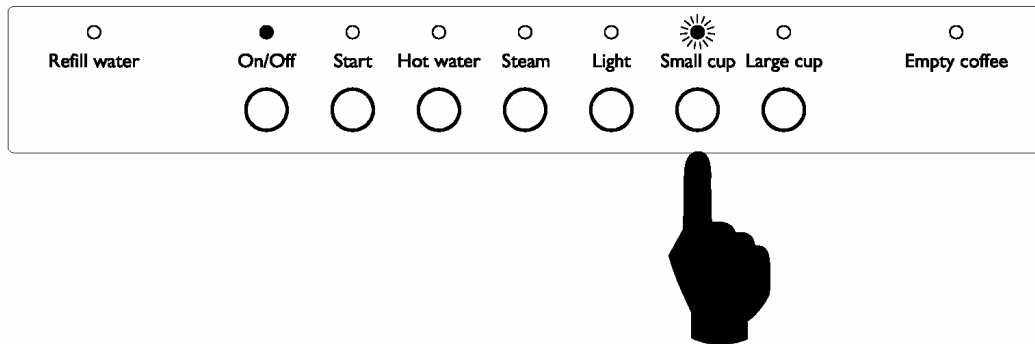


- To come back to the stand-by mode, press the start control once again.

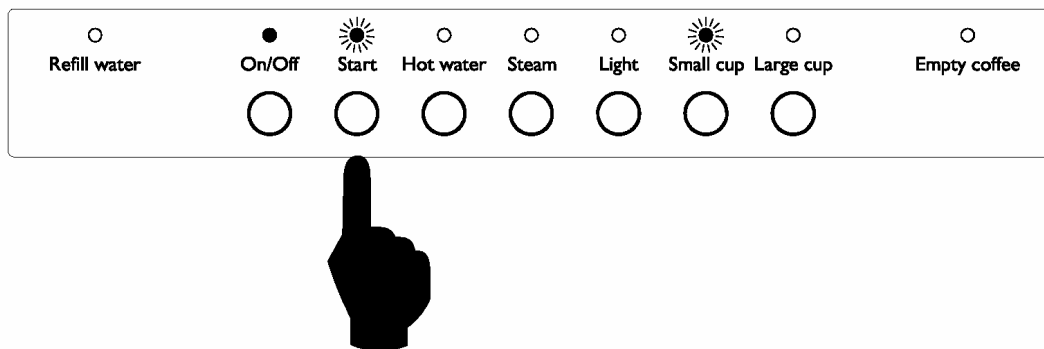
### CAUTION:

On start-up, the machine initiates the pre-warming phase for the first 3 minutes. During this phase the ON/OFF LED will blink quickly and the machine will be not able to execute any operation. Then the LED blinks slowly and the machine is ready to operate.

# Making coffee



- Press the control corresponding to the desired selection.



- Press the start control within 10 seconds and the machine will make the coffee selected.
- The machine will stop automatically



## CAUTION:

the desired function will be disabled if the start control is not pressed within 10 seconds. It will then be necessary to repeat the procedure.

## HOW TO OBTAIN AN EXCELLENT ESPRESSO



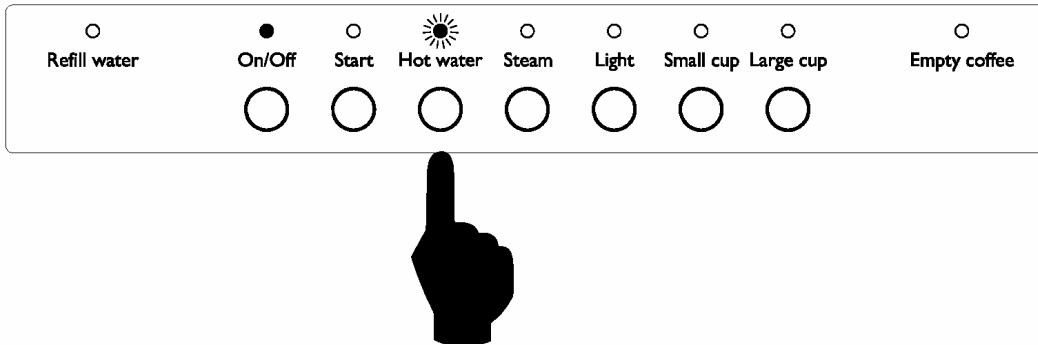
- The brewing time for an excellent espresso will be about 15 - 25 seconds. Elements affecting this brewing time are the grinding level of the coffee and the quantity of ground coffee. If necessary, the grinding level, as well as the quantity of ground coffee can be modified (refer to Chapters 8 & 9. Instructions for the first use of the machine).

**Useful advice:** coffee is a hygroscopic element that its quality and characteristics strictly depend on weather (humidity). Coffee should be ground coarser if humidity in the air is very high, otherwise it will become thick and not flow freely; on the contrary, the coffee should be ground finer in dry conditions.

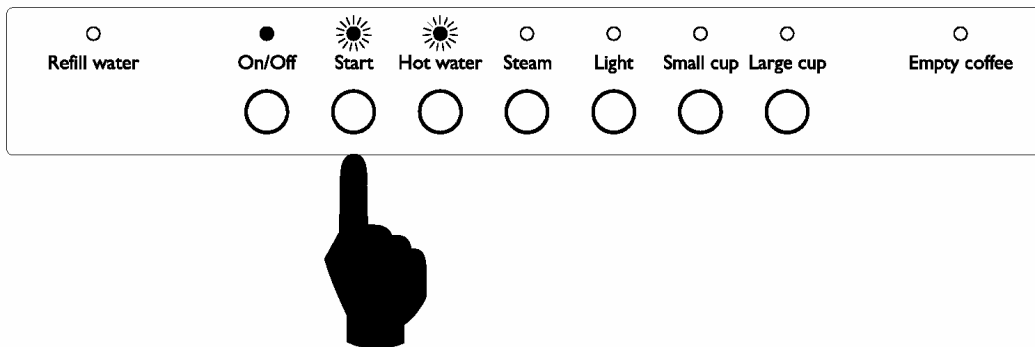
# Hot water

- The steam/water pipe can be moved to the back of the cabinet when not in use. Pull forward when required.

 **CAUTION:**  
Do not touch when HOT!



- To dispense hot water, place a container under the steam/water nozzle; then press the water control.



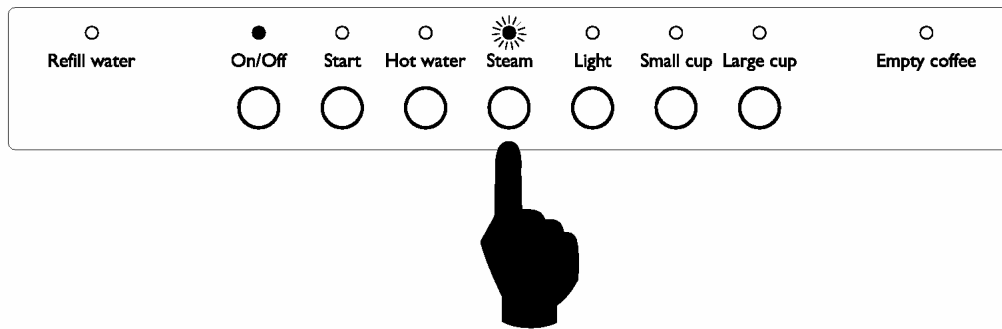
- Press and hold the start control within 10 seconds until the desired amount is dispensed. To stop the water flowing, simply release the control.

 **CAUTION:**  
the desired function will be disabled if the start control will be is not pressed within 10 seconds. It will then be necessary to repeat the procedure.

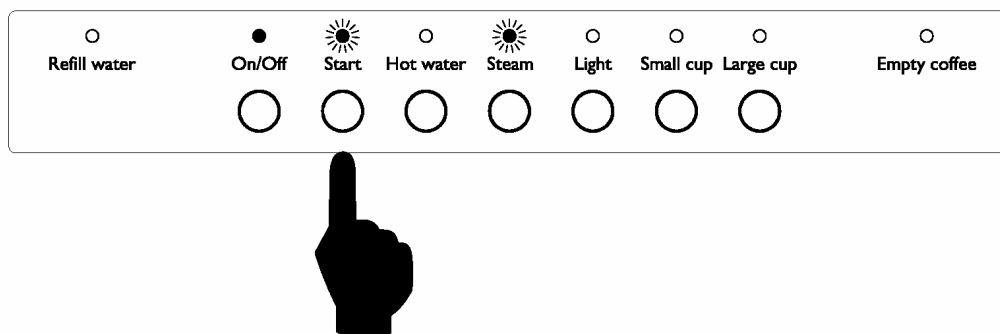
# Steam - Heating liquids

- The steam/water pipe can be moved to the back of the cabinet when not in use. Pull forward when required.


 **CAUTION:**  
Do not touch when HOT!



- Press the steam control and the corresponding indicator blinks for 20 seconds. The machine will be ready to make steam when the indicator stops blinking and remains lit.



- Place a jug with the liquid to be heated under the steam nozzle.
- Press and hold the start control within 10 seconds and wait for the steam function to commence.

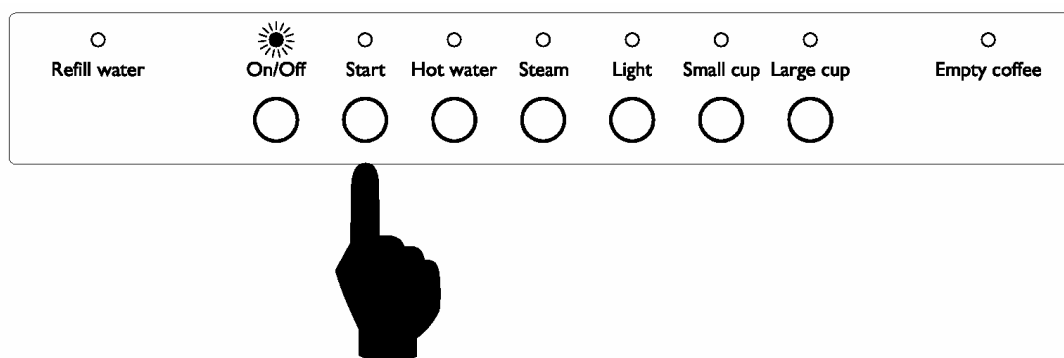
 **CAUTION:**  
the desired function will be disabled if the start control is not pressed within 10 seconds. It will then be necessary to repeat the procedure.

- The steam will continue to spray till the start control is released.

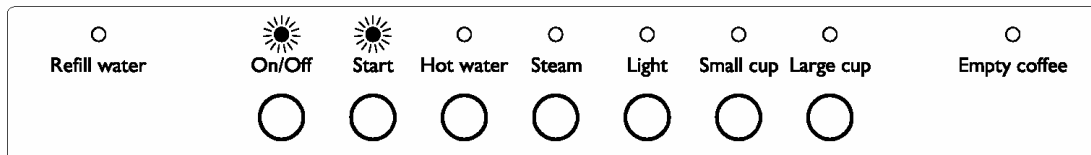
**MILK FOR CAPPUCCINO:** Put some cold milk (100cc min.) in a deep jug and heat it using steam. Agitate the milk jug a little and wait until the foam is ready (one minute min.). To improve the result gently beat a little the jug on the table after that the foam is ready.

# Programming the amount of coffee beans to be grinded

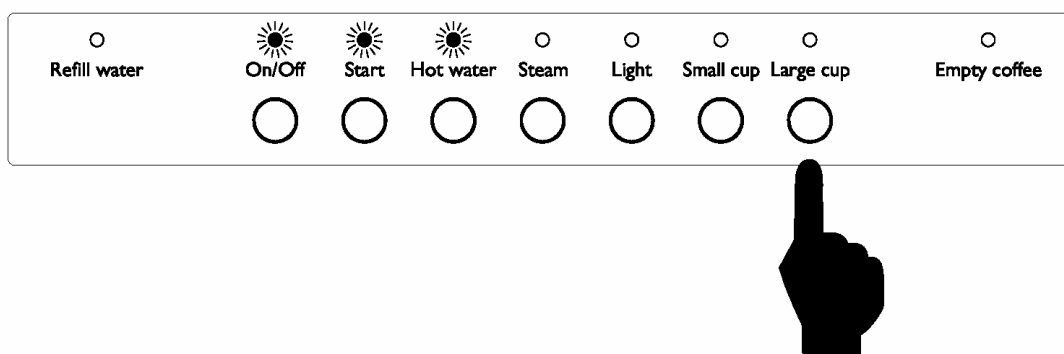
- This espresso machine has already been calibrated in factory to dispense the ideal measure of ground coffee for one cup of espresso.
- However this quantity of ground coffee can be increased or reduced, then the selected measure is stored. The programmable measure of ground coffee refers to both the espresso selection and to regular coffee selection.
- Put the machine on stand-by mode as described.



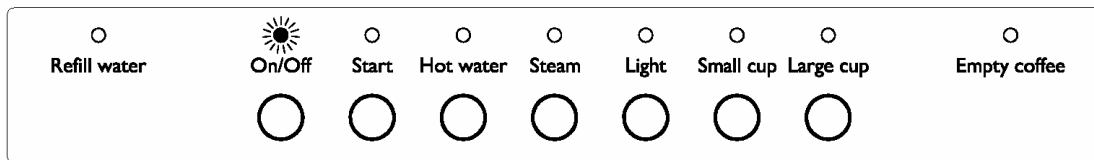
- Keep the start control pressed for 10 seconds.



- Some LEDs will flash, working as indicators, (the more are the LEDs illuminated the greater the quantity of coffee). Before adjusting make a note of the original setting so that the machine can be reset to the factory settings if required.



- To increase or decrease the quantity of ground coffee just press the “espresso” control to decrease and “regular coffee” control to increase.



- Once you have modified the coffee ground quantity, press the start control for 10 seconds and the machine will automatically save the quantity desired and it will return to stand-by mode.



**CAUTION:**

the correct grinding time can change if a different kind of coffee is used.

If any unpressed coffee powder is found when emptying the “used” coffee drawer, it means that the grinding time is too long and should be decreased.

The “exhaust” coffee pods in the “used” coffee drawer can help to achieve a correct regulation of the grinding-time.

The coffee pods must to be 1 cm in thickness: this is the correct coffee quantity.

If its thickness is lower, it means that the grinding time is too short and should be increased.



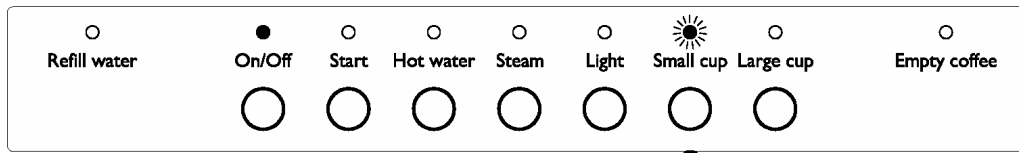
**IMPORTANT:**

increasing or decreasing the grinding time can change the coffee taste.

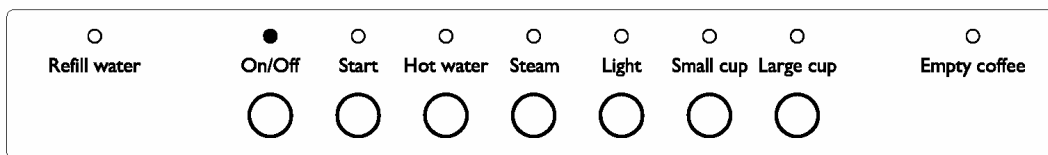
A stronger coffee taste and a rich aroma can be obtained by slightly increasing the programmed time.

A weaker coffee can be obtained by slightly decreasing the programmed time.

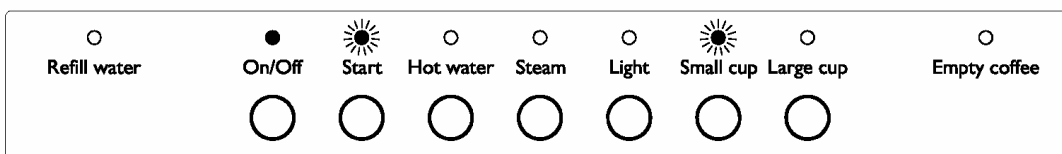
# Programming the volume of coffee dispensed in the cup



- The volume of coffee dispensed can be adjusted as desired as follows:



- Press the espresso control.



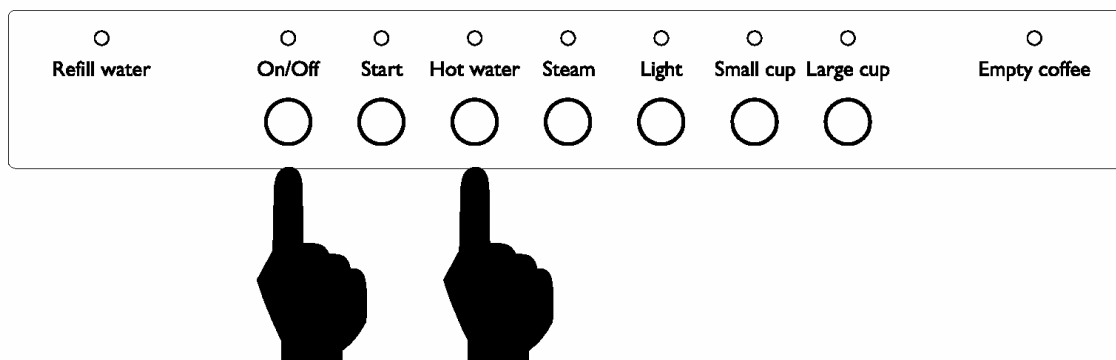
- Keep the start control pressed until the programme starts (approximately 5 seconds); the start control LED flashes.
- When the desired quantity of coffee has been dispensed, press the start control. The machine will stop the cycle and the coffee measure will be stored automatically on the correspondent selection.



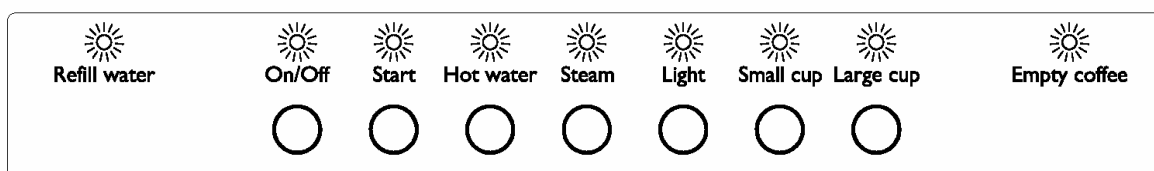
# If you wish to reset the standard values

## Resetting standard values

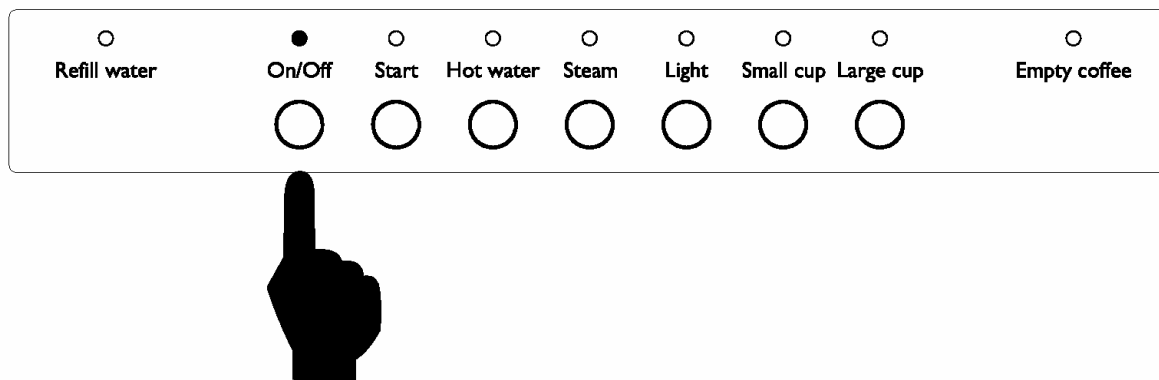
- This coffee machine is calibrated in the factory to make the optimum Italian espresso, the values set for the espresso coffee distribute 30 cc, the values set for the regular coffee is 80 cc.



- if the standard values have to be reset From the stand-by control switch on the machine then press both the on/off and hot-water controls at the same time for 5 seconds.



- All the LEDs will briefly illuminate to indicate the factory values have been reset.

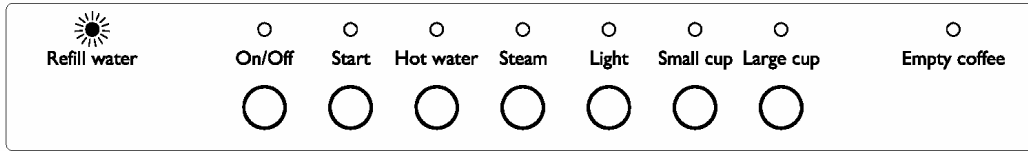


- Press the ON/OFF control. Each selection will use the factory values.

**N.B.:** Only the quantity of water required for each cup of coffee is reset. The measures of ground coffee will not alter.

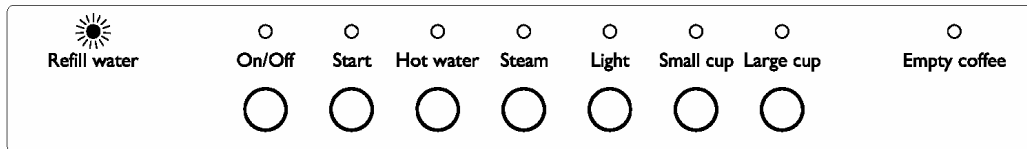
# Signal and alarms

## Water refill indicator



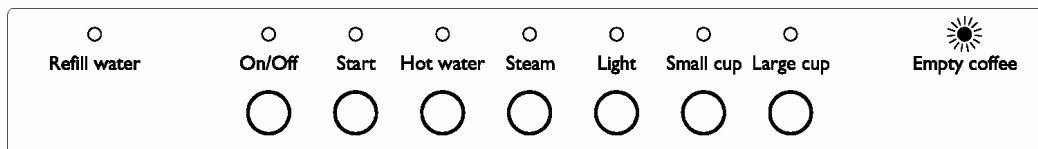
- This machine has a sensor which detects when the water reservoir is empty.
- the reservoir empty led will illuminate. The machine will not operate until the water reservoir is refilled.

## Volumetric counter fault



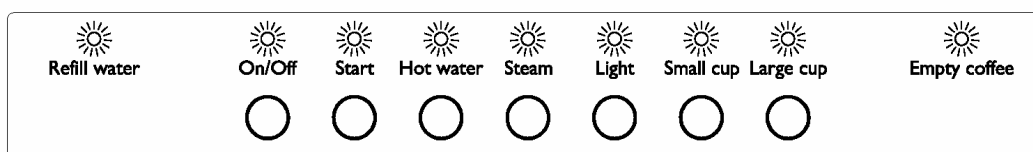
- This machine has a volumetric counter which detects the amount of water distribute by the machine. If the water reservoir is empty or if the volumetric counter is faulty the reservoir empty led will blinking and the machine will not operate. To reset this alarm, please put the machine in stand by mode then turn it on again

## “Used coffee drawer full”/coffee beans refill indicator



- Every 20 coffee the machine show you that the coffee beans container is empty and that the “used coffee drawer” is full.
- When the corresponding led will be illuminated, you must empty the Drip tray and the “used coffee drawer” and refill the coffee beans container.
- For instructions on how to empty the “used” coffee drawer, see chapter 13 “CLEANING”.

## Fault indicator

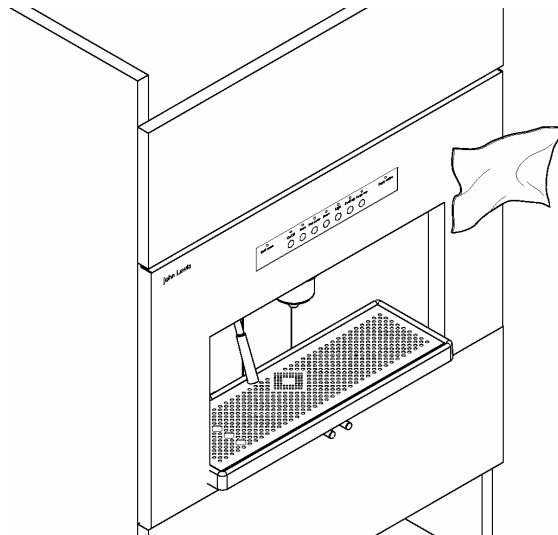


- The machine incorporates an automatic system that, detecting a fault in operation, will illuminate all the LEDs. Switch OFF the machine and contact the nearest Service Force Centre.

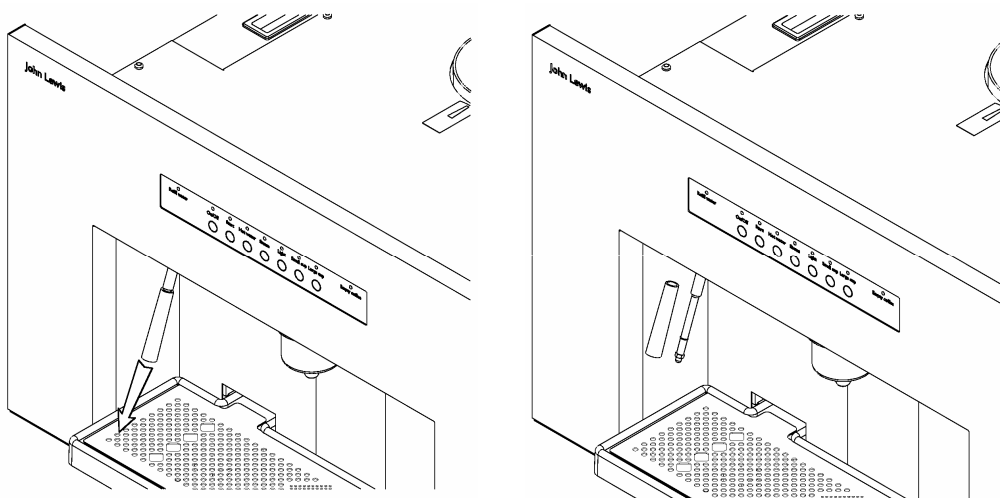
# Cleaning

## Outer parts

- Clean the stainless steel parts of the machine with a soft cloth without using aggressive detergents. Never use any abrasive sponges nor steel wool to clean the parts of steel. Dry well with a soft cloth.



## Steam nozzle



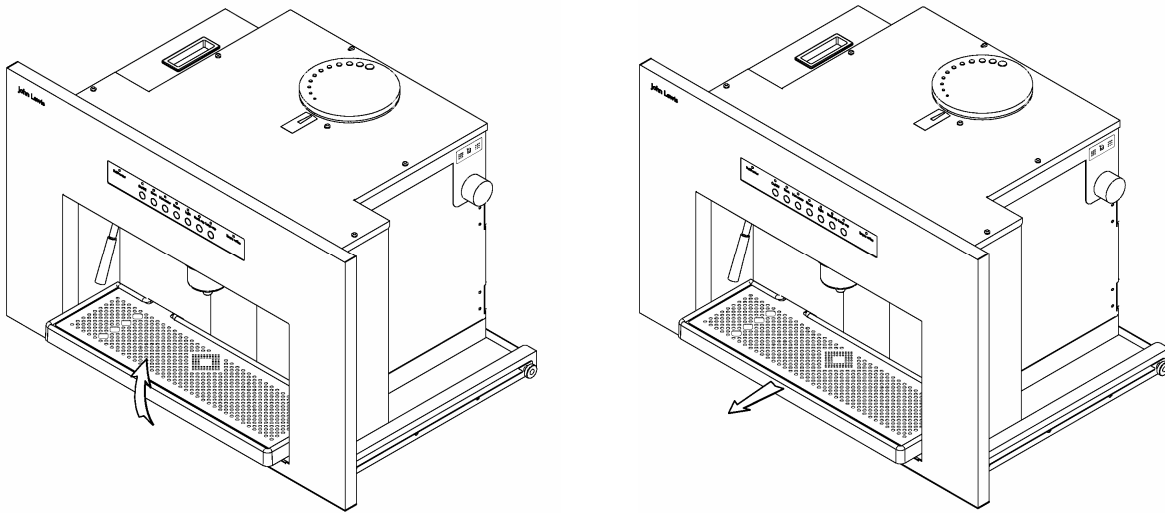
- Remember to clean the steam nozzle periodically that can get internally dirty by frothing the milk. Remove the nozzle as shown in figure above and wipe it, together with its cap, using a sponge and hot water.



### CAUTION:

to clean the nozzle, switch OFF the machine and wait 20 minutes after use to allow it to cool, to prevent risks of burns.

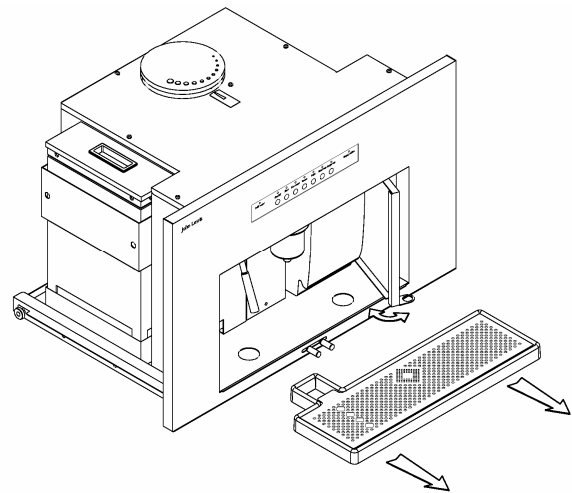
## Drip tray



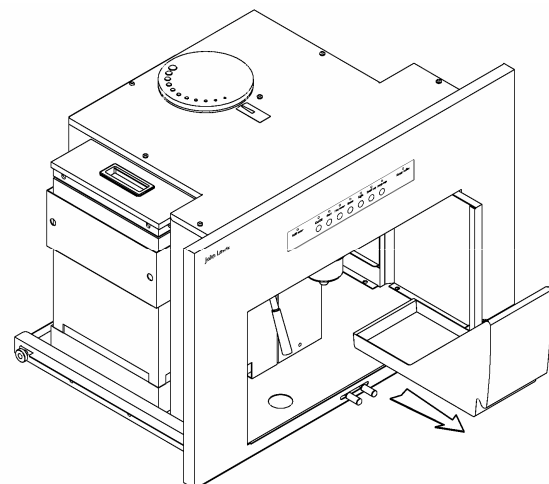
- Remove the drip tray from the machine as it is shown in the figures above.
- Make sure that the drip tray is periodically drained to prevent any liquid from seeping out and dirtying/damaging the underlying furniture. Drip tray and relevant grill can be washed in a dishwasher.

## To empty the “used” coffee drawer

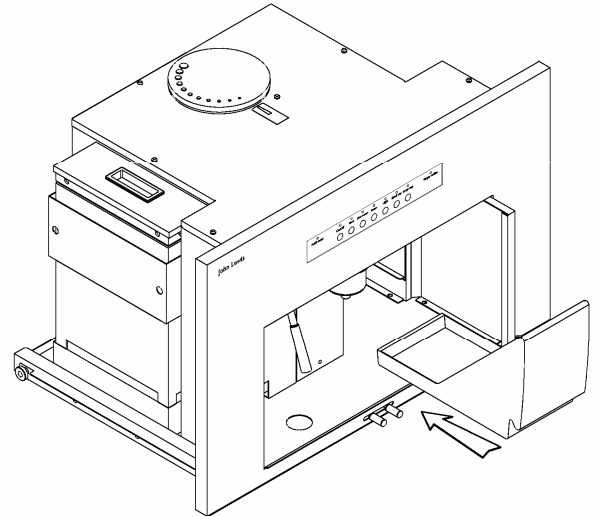
- It is necessary to remove the drip tray as it is shown in figure and drain it.



- Pull open the door and remove the drawer and empty it. The drawer can be washed in a dishwasher or simply with hot water.



- Replace the drawer and close the door. Replace the drip tray.



## Water reservoir

- If the machine is not used for long periods, change the water in the reservoir and drain the boiler by pressing the coffee button several times.
- Clean the water reservoir periodically .
- The water reservoir can be washed in a dishwasher.
- When using the Brita filter, replace it after approximately 2000 cups of coffee or at least every three months.

## Cleaning cycle of the boiler

- This coffee machine is an appliance using water, therefore it is normal that some limestone can form in its boiler.
- It is recommended to carry out the following operations every six months:
- Fill up the water reservoir with 2 litres of water adding half a glass of vinegar or citric acid.
- Carry out the same operations as preparing some cups of coffee (refer to the previous Chapter “Coffee”), and some cups of hot water until the reservoir is completely empty.
- Fill the reservoir again with cold water and repeat the above process to rinse the boiler.

# Something not working.....

If this machine does not work, please make sure that the fault is not due to:

1. no power
2. no water in the reservoir.

If the power cable is damaged or the machine needs servicing, please contact the nearest SERVICE FORCE CENTRE

# Repairs - after sales service

If your coffee machine is not performing satisfactorily, consult the fault finding guide within this instruction book (something not working). If a fault occurs which you can not resolve through following the advice and information contained within the instruction manual, the next step is to contact our extended warranty administrators on:

**0870 010 7887**

They will give you details for your local Service Force Centre.

Before calling out an engineer, please ensure you have read the details under the heading "Something Not Working".

When you contact your local Service Force Centre you will need to give the following details:

- 1 Your name, address and post code
- 2 Your telephone number
- 3 Clear and concise details of fault
- 4 The purchase date and found on your receipt.
- 5 The model and serial number of the appliance (found on the rating plate - see picture on page 5)

So that you always have these numbers at hand, we recommend you to make a note of them here:

Mod. : .....

PNC : .....

S.N. : .....

**Your coffee machine is covered by a 3 year parts and labour guarantee (see separate details given at point of sale). Please retain your purchase receipt safely for the service engineer to verify the purchase details.**

## Spare parts

Please change this text to: This product be serviced by any authorised service engineer; and inly genuine spare parts should be used. Under no circumstances should you attempt to repair the appliance yourself.

Repairs carried out by inexperienced persons may cause injury or serious malfunctioning. Contact our extended warranty administrators on **0870 0107887** who will give you details for your Service Force repair agent. Always insist on genuine spare parts.



John Lewis Partnership  
171 Victoria Street  
London SW 1 E 5NN

[www.johnlewis.com](http://www.johnlewis.com)